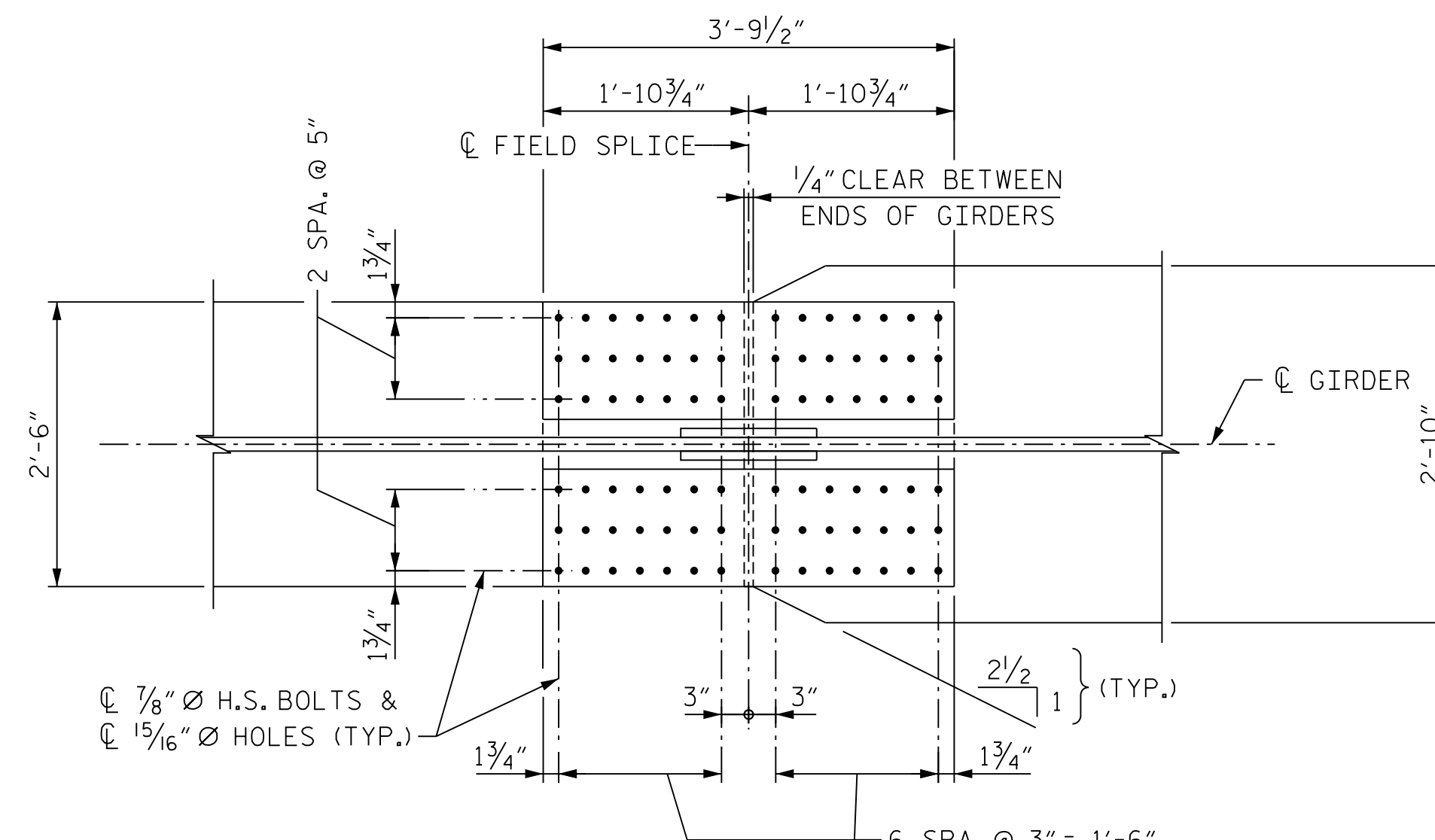


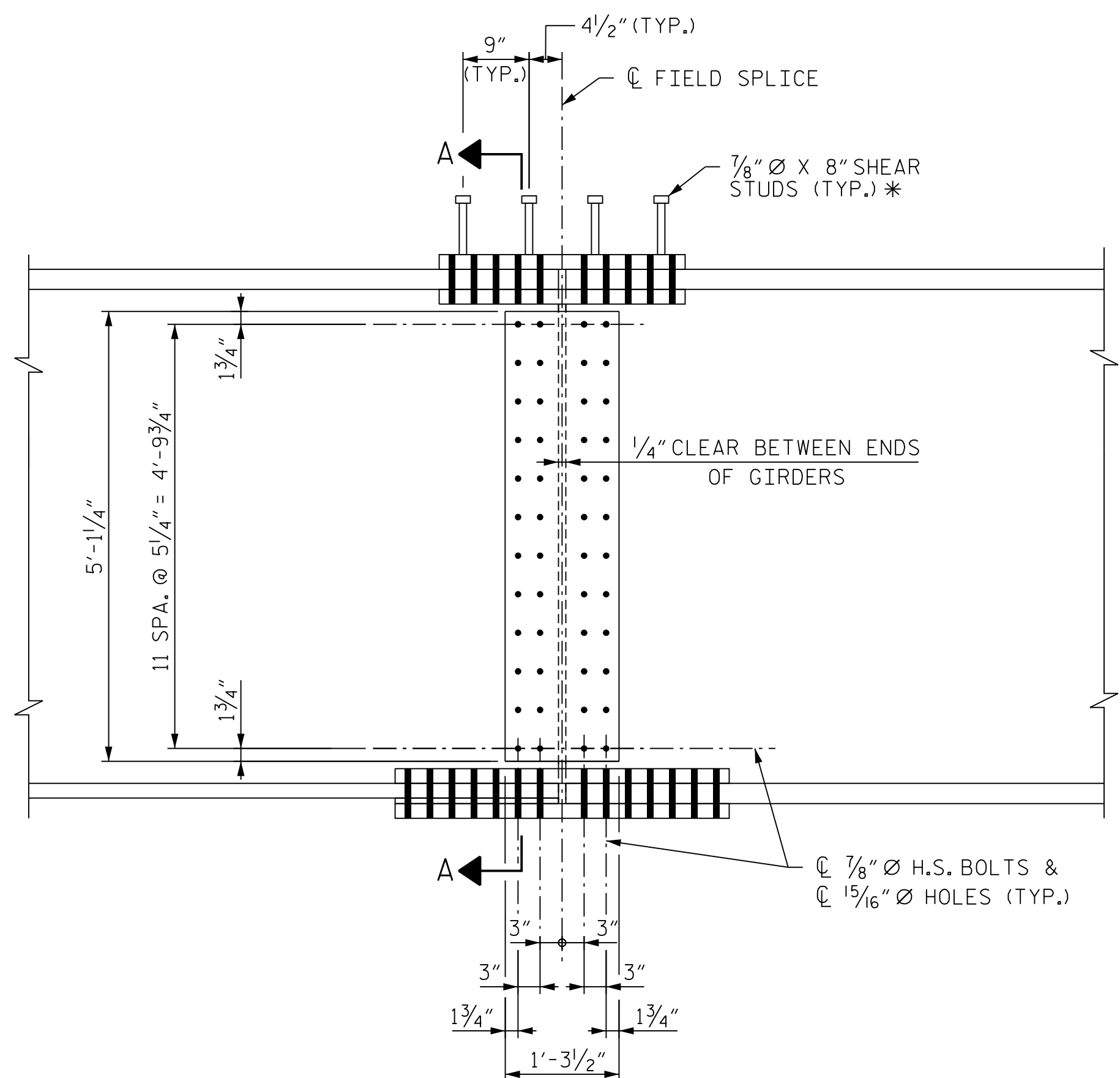
**PLAN (TOP OF TOP FLANGE)**

(STUDS NOT SHOWN FOR CLARITY)

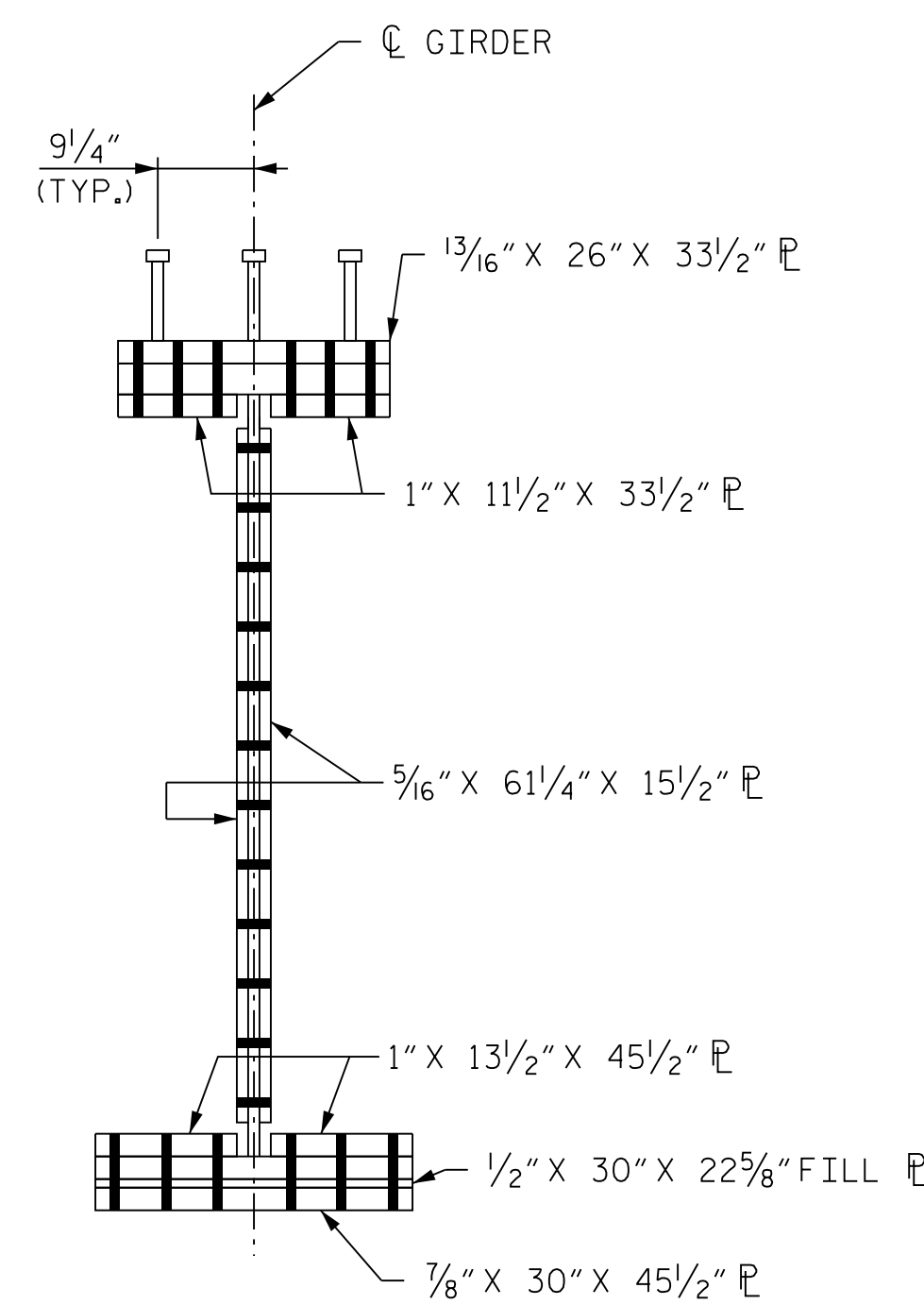
\* = SHEAR STUDS ARE TO BE SHOP WELDED ON TOP OF PLATE BEFORE FIELD ASSEMBLY



**PLAN (TOP OF BOTTOM FLANGE)**



**ELEVATION**



**SECTION A-A**

**NOTE**  
ORIENTATION OF PLAN AND ELEVATION VIEWS MAY VARY BASED ON FIELD SPLICE LOCATION

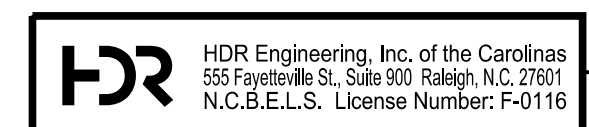
PROJECT NO. U-2579AB  
FORSYTH COUNTY  
 STATION: 47+63.62 -Y15FLYBD-

SHEET 11 OF 14



10/11/2021

STATE OF NORTH CAROLINA DEPARTMENT OF TRANSPORTATION RALEIGH					
<b>SUPERSTRUCTURE BOLTED FIELD SPLICE DETAILS - TYPE "K"</b>					
REVISIONS					
NO.	BY:	DATE:	NO.	BY:	DATE:
1	--	--	3	--	--
2	--	--	4	--	--
					SHEET NO. S05-046 TOTAL SHEETS 116



DOCUMENT NOT CONSIDERED FINAL UNLESS ALL SIGNATURES COMPLETED

PLOT DRIVER: NCDOT\_pdf\_color\_eng-50dpi  
 USER: PPETERSO DATE: 10/11/2021  
 FILE: ... \SUPERS

DES BY: <u>A. MILLER</u>	DATE: <u>08/19</u>	DWG BY: <u>B. PETERSON</u>	DATE: <u>07/19</u>
DES CHK: <u>M. NEIHEISEL</u>	DATE: <u>08/19</u>	CHK BY: <u>D. OLDS</u>	DATE: <u>10/19</u>