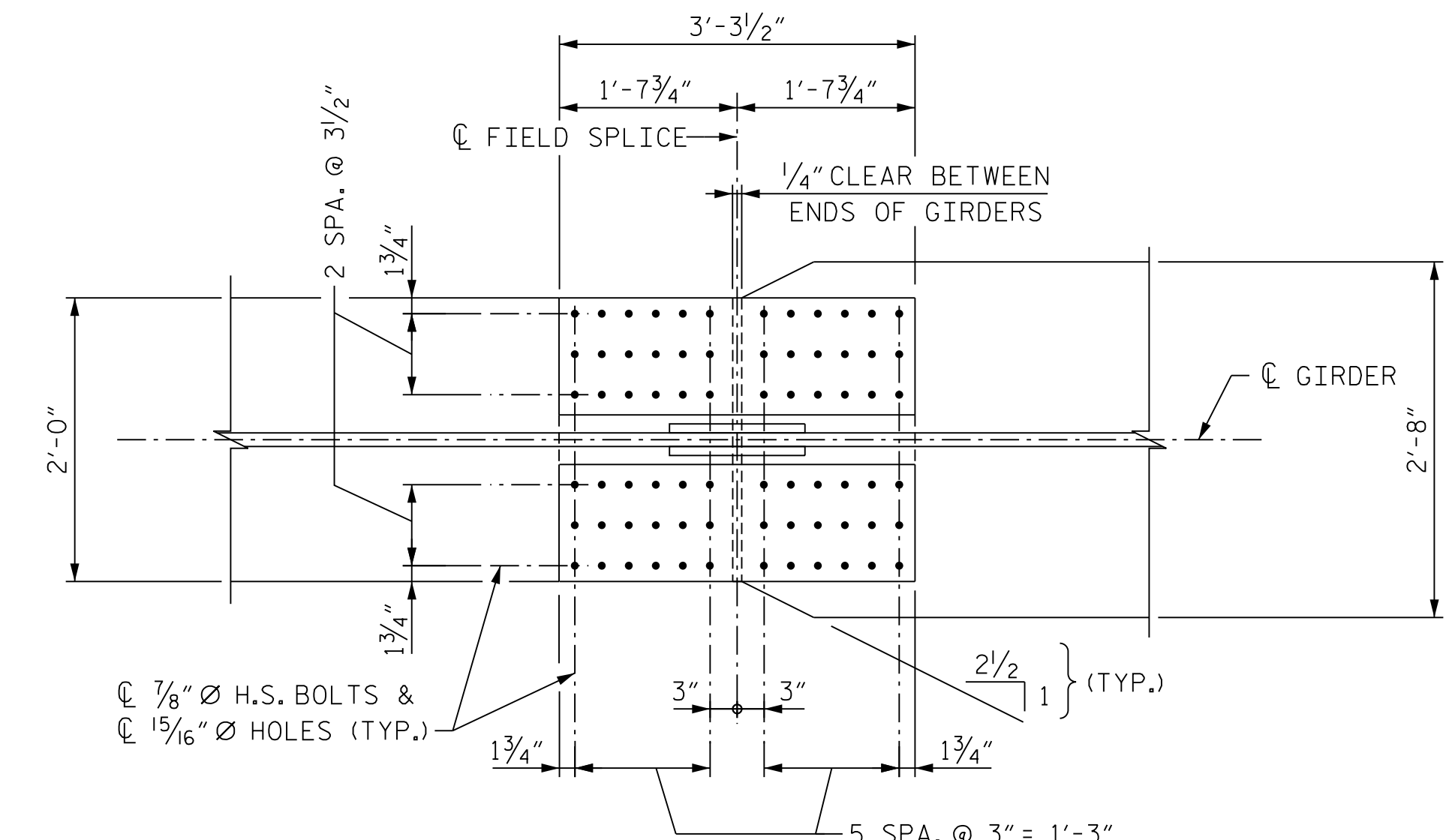
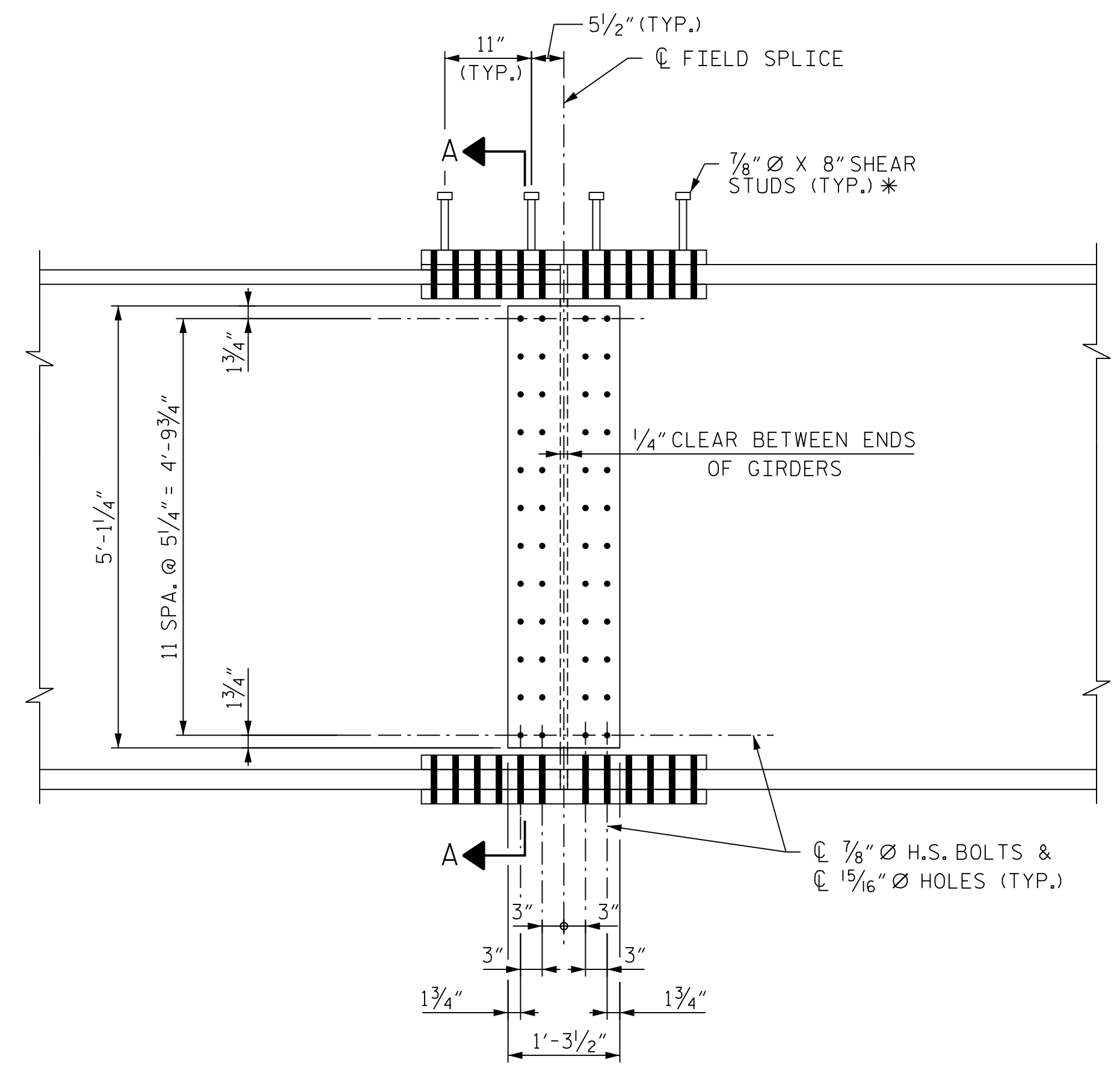


**PLAN (TOP OF TOP FLANGE)**  
(STUDS NOT SHOWN FOR CLARITY)

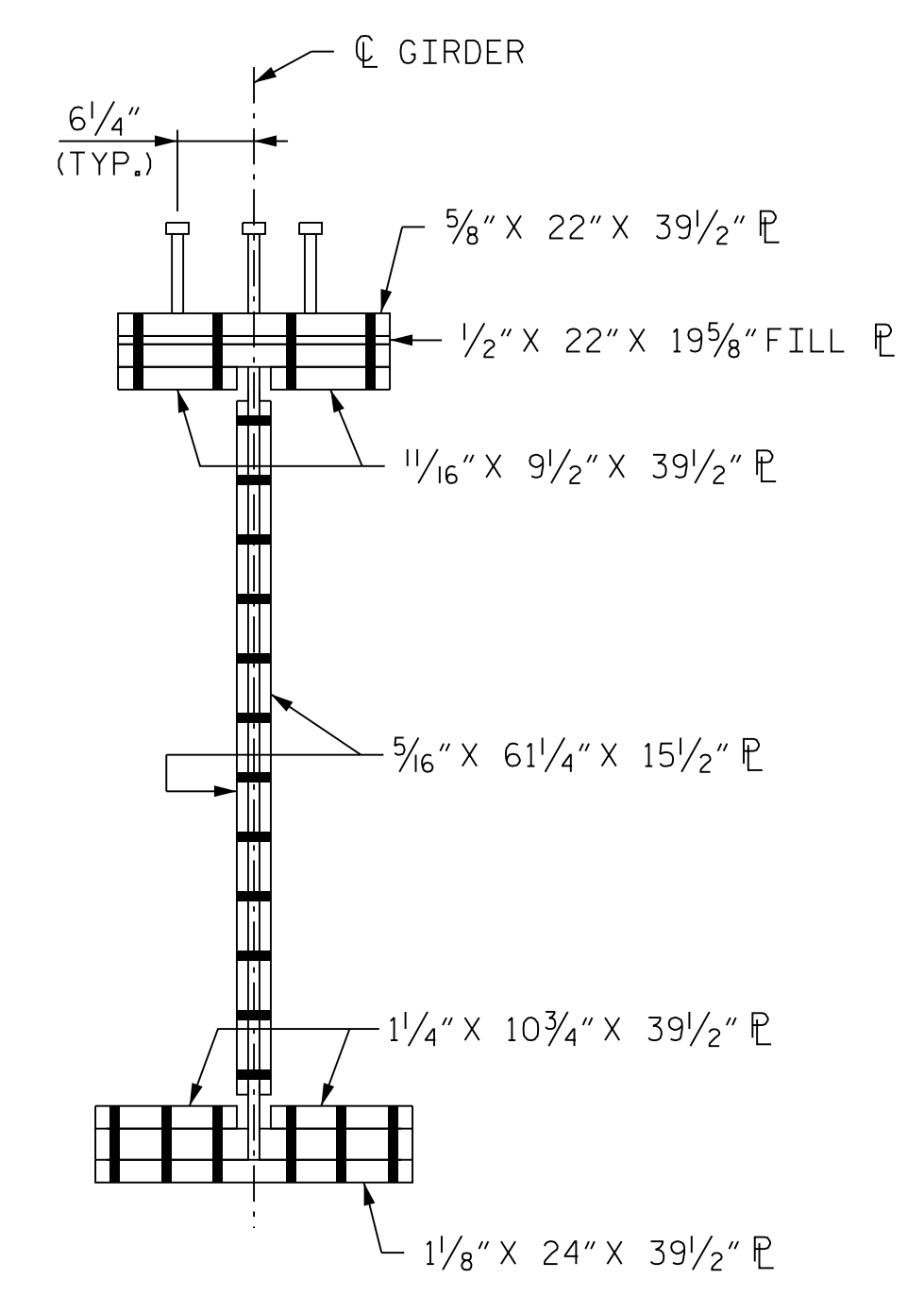
\* = SHEAR STUDS ARE TO BE SHOP WELDED ON TOP OF PLATE BEFORE FIELD ASSEMBLY



**PLAN (TOP OF BOTTOM FLANGE)**



**ELEVATION**



**SECTION A-A**

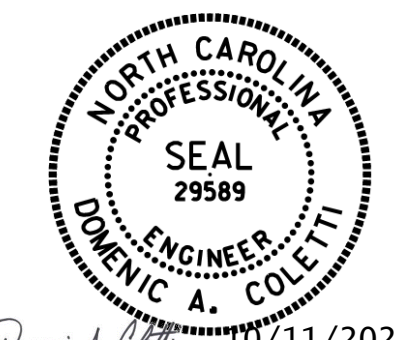
**NOTE**  
ORIENTATION OF PLAN AND ELEVATION VIEWS MAY VARY BASED ON FIELD SPLICE LOCATION

PROJECT NO. U-2579AB  
FORSYTH COUNTY  
 STATION: 47+63.62 -Y15FLYBD-

SHEET 9 OF 14

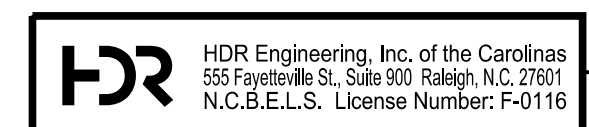
STATE OF NORTH CAROLINA  
 DEPARTMENT OF TRANSPORTATION  
 RALEIGH

**SUPERSTRUCTURE  
 BOLTED FIELD SPLICE  
 DETAILS - TYPE "I"**



10/11/2021

REVISIONS						SHEET NO. S05-044 TOTAL SHEETS 116
NO.	BY:	DATE:	NO.	BY:	DATE:	
1	--	--	3	--	--	
2	--	--	4	--	--	



DOCUMENT NOT CONSIDERED FINAL UNLESS ALL SIGNATURES COMPLETED

PLOT DRIVER: NCDOT... PENTABLE: NCDOT STRUCTURES DEFAULT PEN.tbl  
 USER: PPETERSO DATE: 10/11/2021 TIME: 8:22:43 AM  
 FILE: ... \SUPERS

DES BY: <u>A. MILLER</u>	DATE: <u>08/19</u>	DWG BY: <u>B. PETERSON</u>	DATE: <u>07/19</u>
DES CHK: <u>M. NEIHEISEL</u>	DATE: <u>08/19</u>	CHK BY: <u>D. OLDS</u>	DATE: <u>10/19</u>