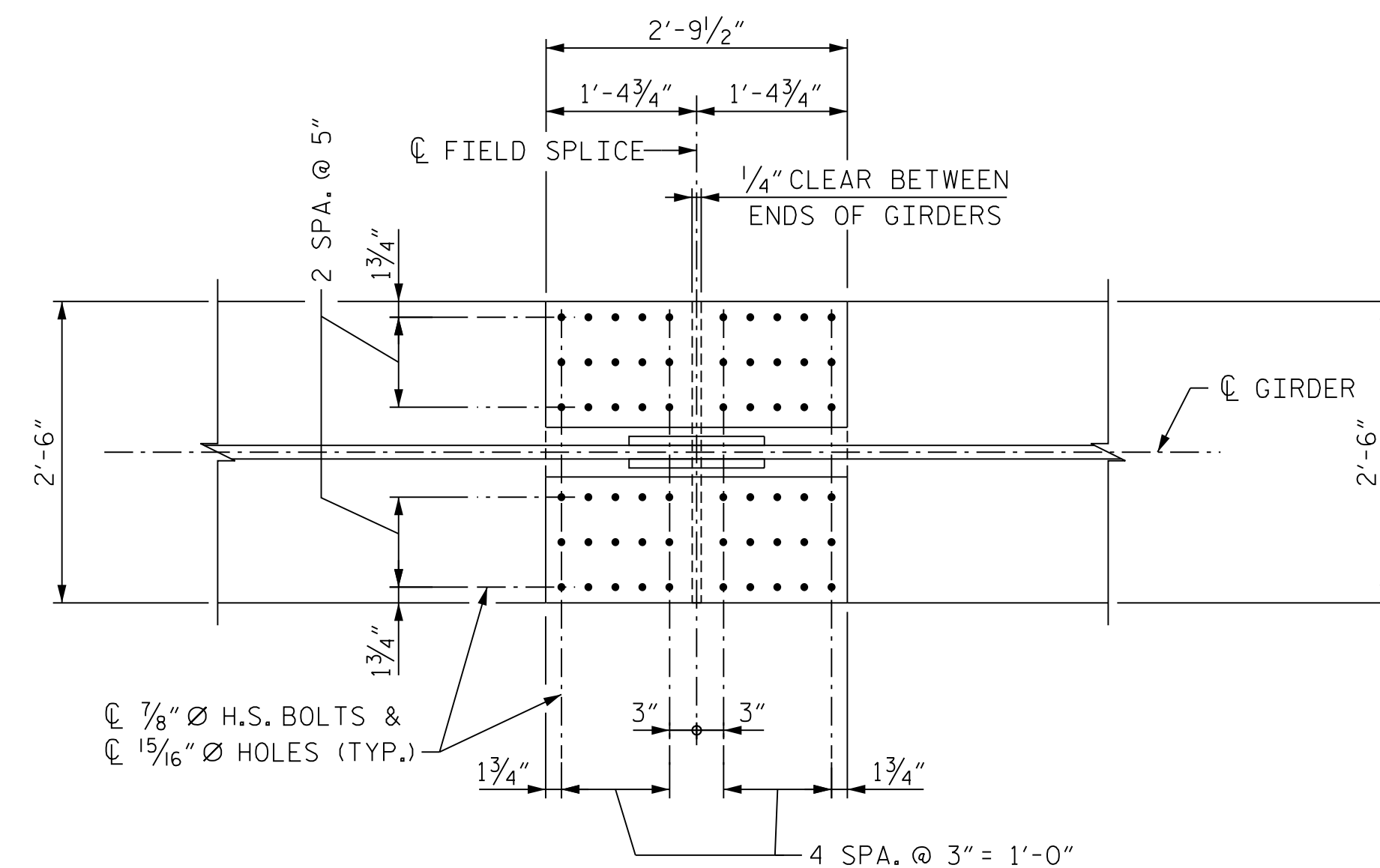


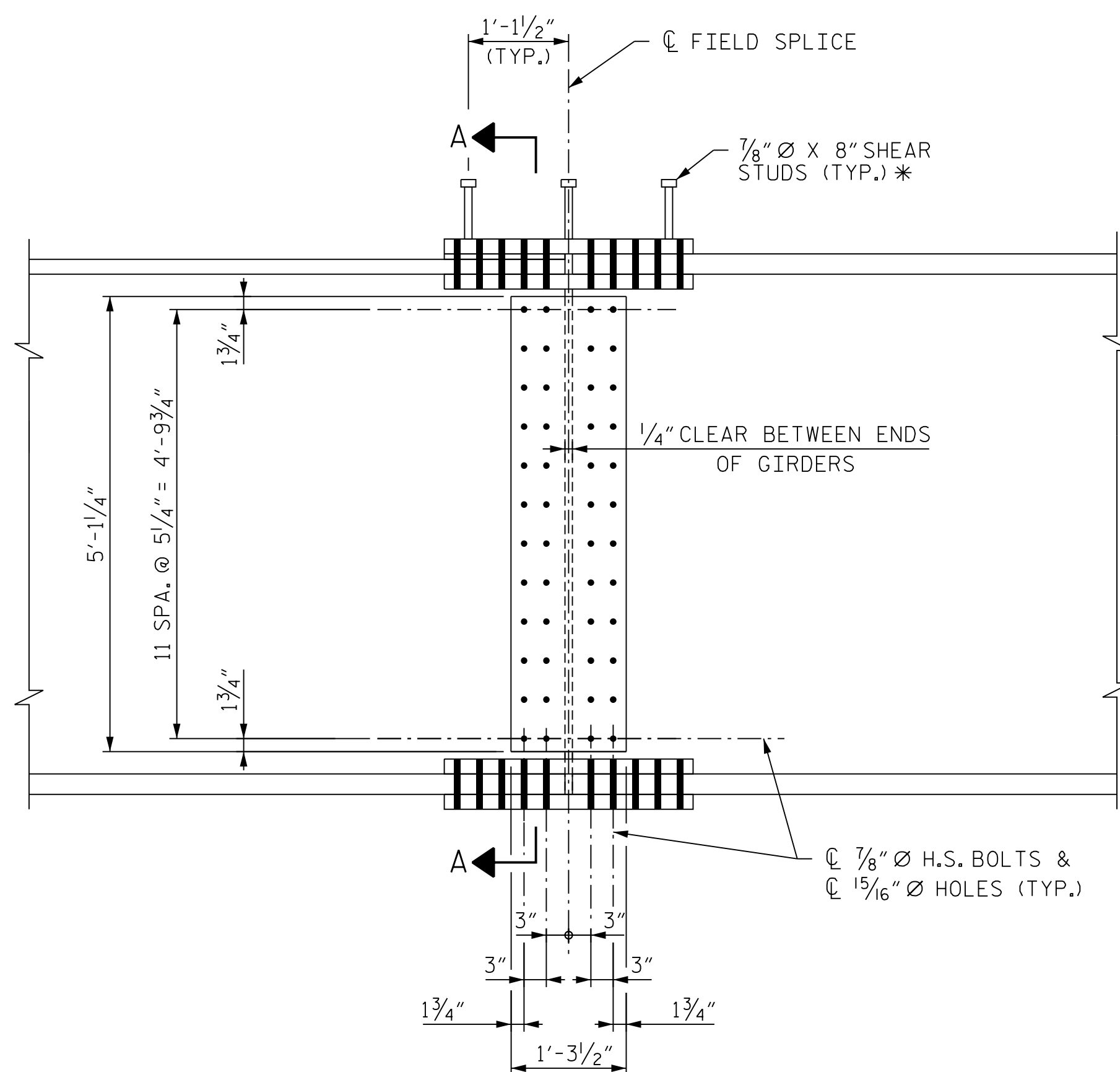
PLAN (TOP OF TOP FLANGE)

(STUDS NOT SHOWN FOR CLARITY)

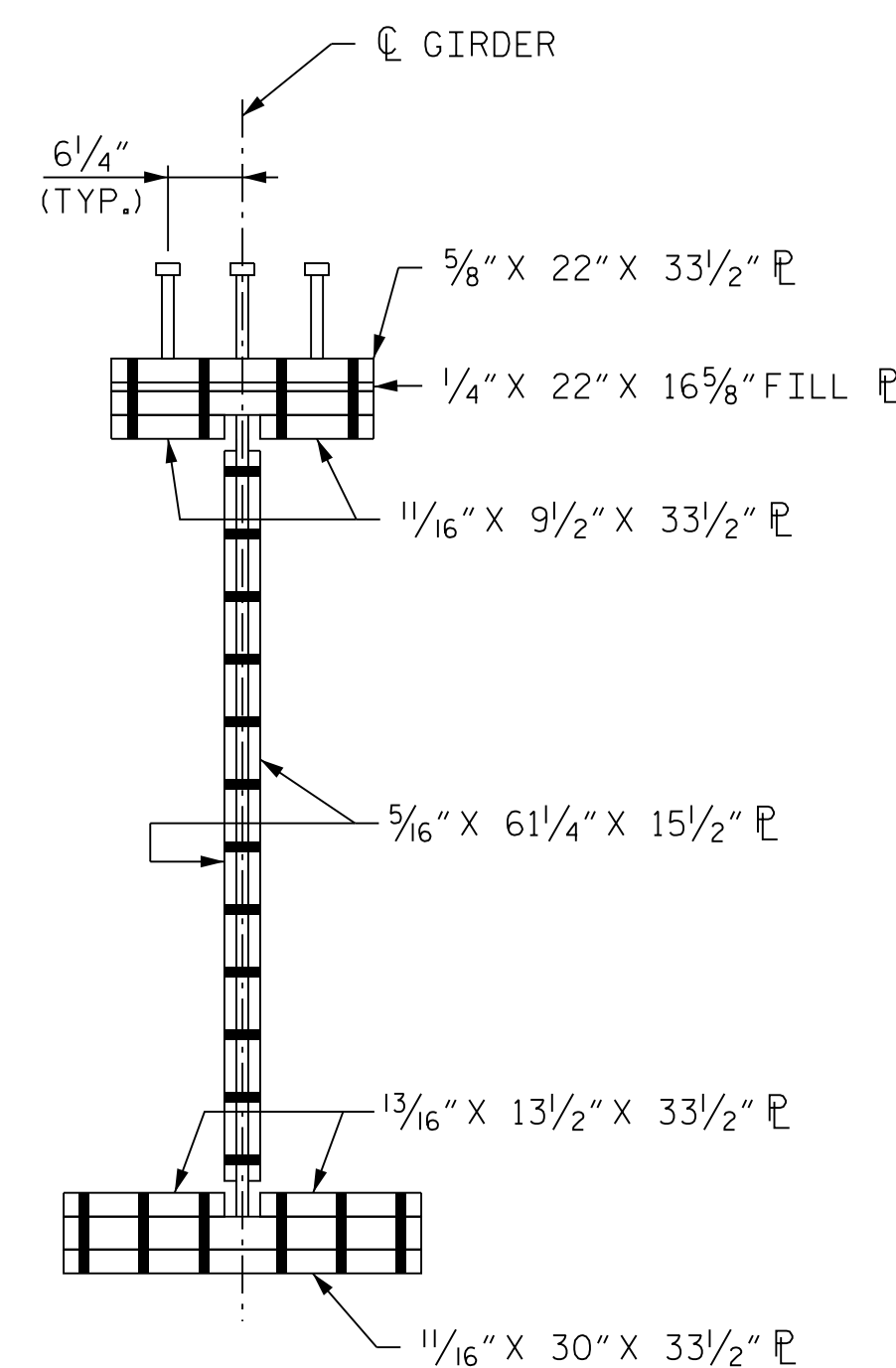
* = SHEAR STUDS ARE TO BE SHOP WELDED ON TOP OF PLATE BEFORE FIELD ASSEMBLY



PLAN (TOP OF BOTTOM FLANGE)



ELEVATION



SECTION A-A

NOTE
ORIENTATION OF PLAN AND ELEVATION VIEWS MAY VARY BASED ON FIELD SPLICE LOCATION

PROJECT NO. U-2579AB
FORSYTH COUNTY
STATION: 47+63.62 -Y15FLYBD-

SHEET 8 OF 14

STATE OF NORTH CAROLINA
DEPARTMENT OF TRANSPORTATION
RALEIGH

**SUPERSTRUCTURE
BOLTED FIELD SPLICE
DETAILS - TYPE "H"**



10/11/2021

REVISIONS

NO.	BY:	DATE:	NO.	BY:	DATE:
1	--	--	3	--	--
2	--	--	4	--	--

SHEET NO.
S05-043
TOTAL SHEETS
116



DOCUMENT NOT CONSIDERED FINAL UNLESS ALL SIGNATURES COMPLETED

PLOT DRIVER: NCDOT... PENTABLE: NCDOT... USER: PPETERSO... FILE: ... \SUPERS

DES BY: S. NIFONG	DATE: 07/19	DWG BY: B. PETERSON	DATE: 07/19
DES CHK: G. SCHMITZ	DATE: 07/19	CHK BY: S. NIFONG	DATE: 08/19