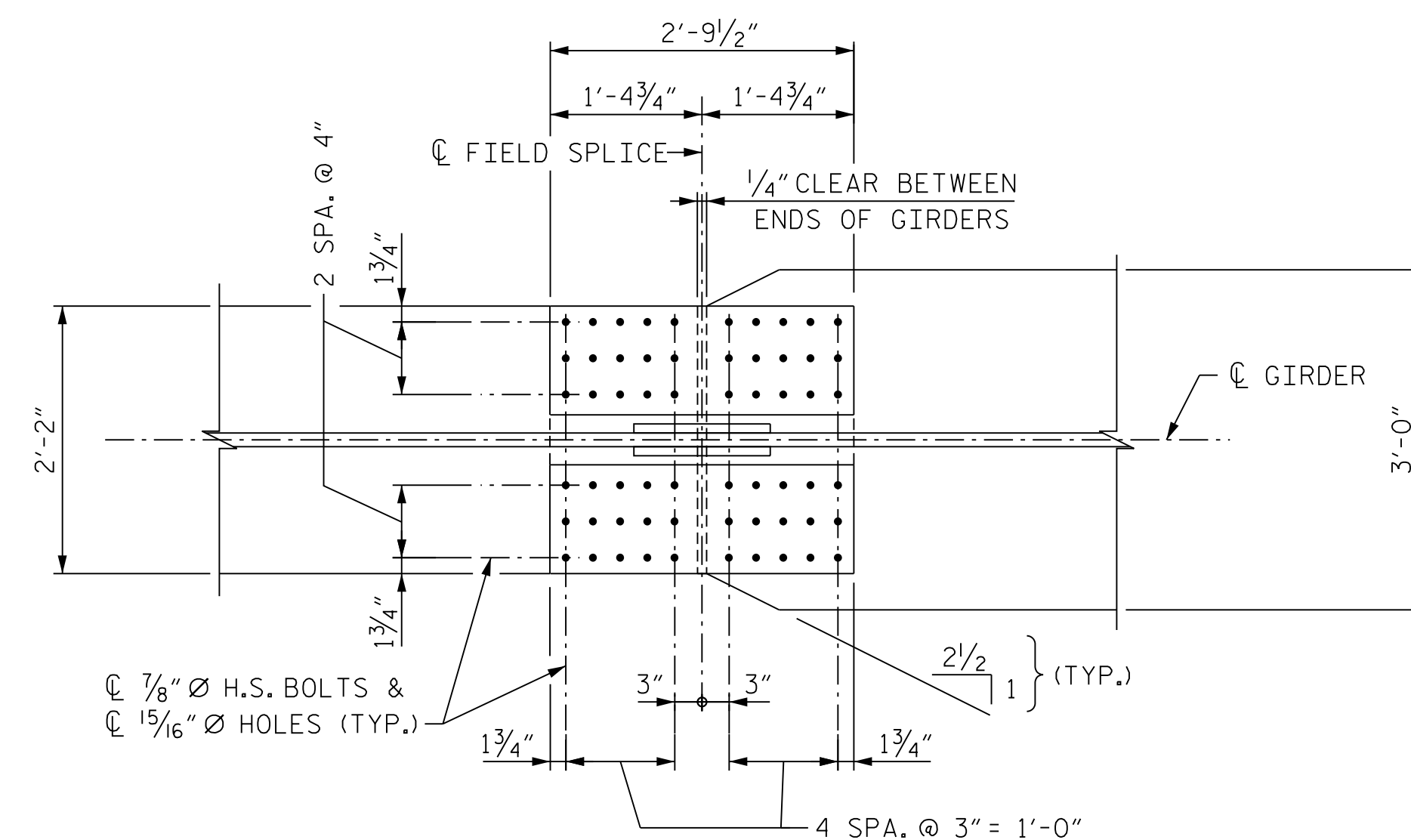


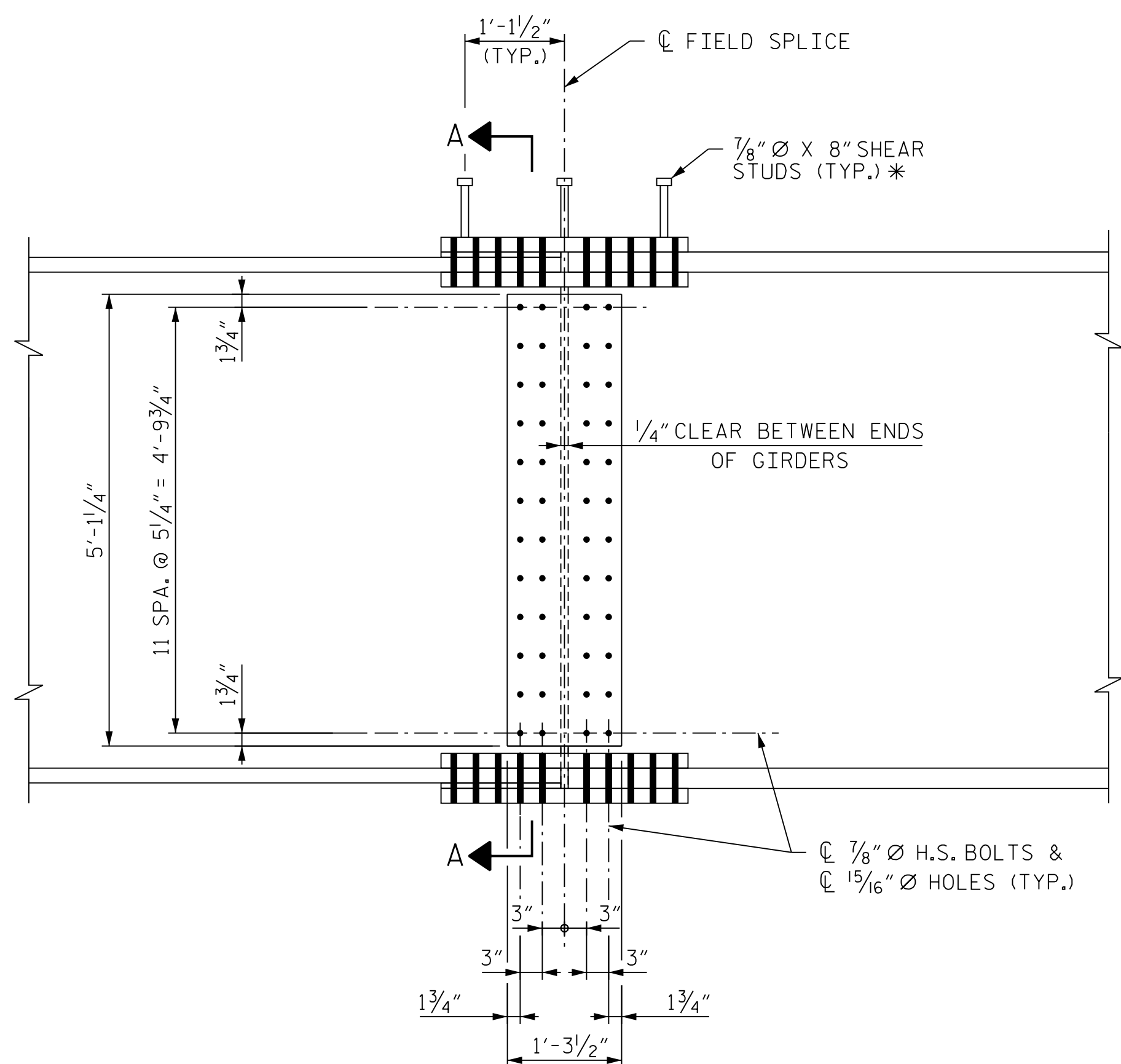
PLAN (TOP OF TOP FLANGE)

(STUDS NOT SHOWN FOR CLARITY)

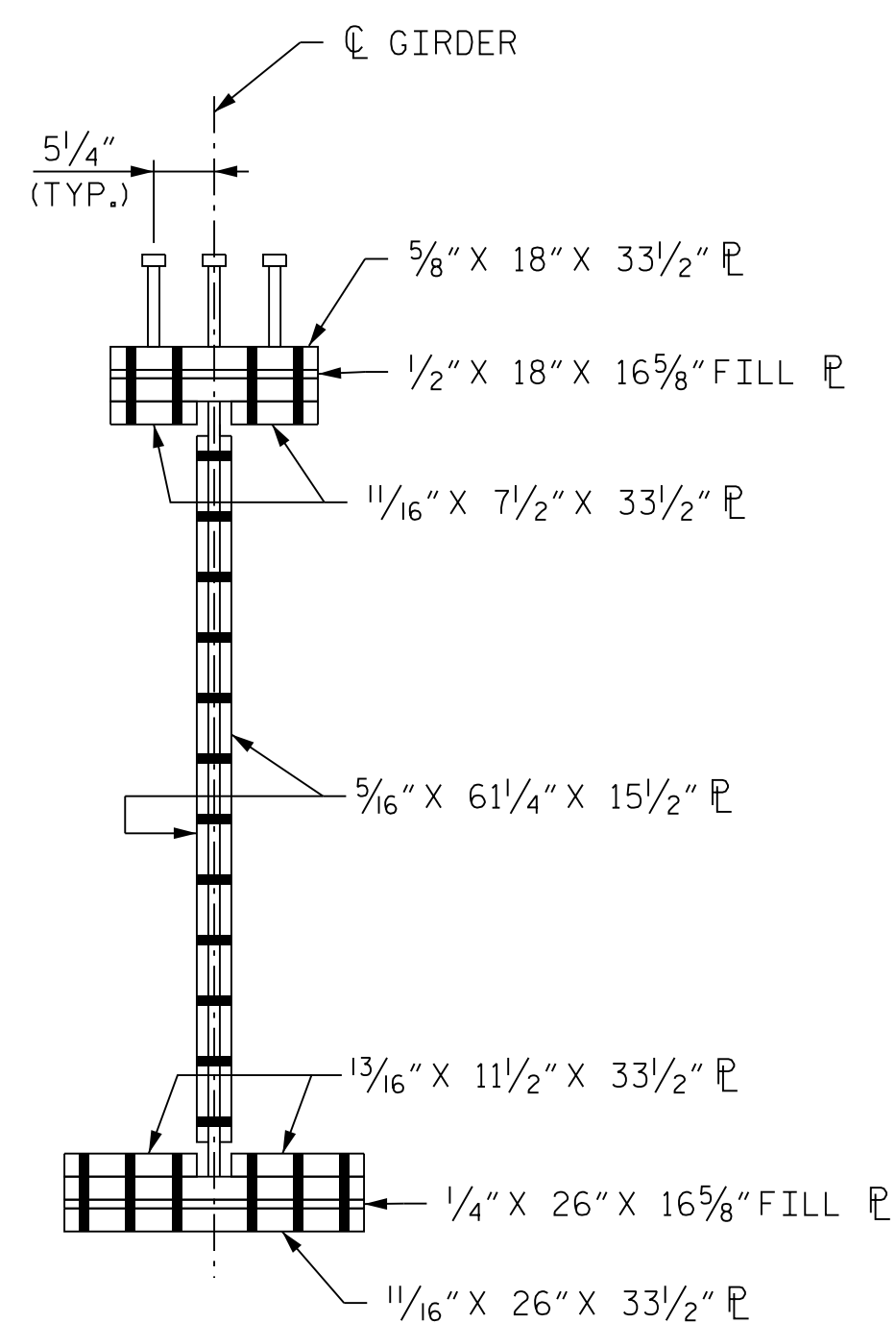
* = SHEAR STUDS ARE TO BE SHOP WELDED ON TOP OF PLATE BEFORE FIELD ASSEMBLY



PLAN (TOP OF BOTTOM FLANGE)



ELEVATION



SECTION A-A

NOTE
ORIENTATION OF PLAN AND ELEVATION VIEWS MAY VARY BASED ON FIELD SPLICE LOCATION

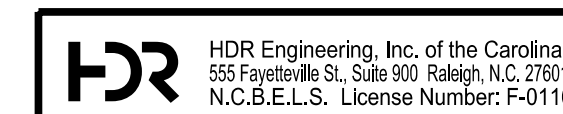
PROJECT NO. U-2579AB
FORSYTH COUNTY
 STATION: 47+63.62 -Y15FLYBD-

SHEET 6 OF 14



10/11/2021

STATE OF NORTH CAROLINA DEPARTMENT OF TRANSPORTATION RALEIGH					
SUPERSTRUCTURE BOLTED FIELD SPLICE DETAILS - TYPE "F"					
REVISIONS					
NO.	BY:	DATE:	NO.	BY:	DATE:
1	--	--	3	--	--
2	--	--	4	--	--
					SHEET NO. S05-041 TOTAL SHEETS 116



**DOCUMENT NOT CONSIDERED FINAL
UNLESS ALL SIGNATURES COMPLETED**

PLOT DRIVER: NCDOT_pdf_color_eng-50.ppt
 USER: PPETERSO DATE: 10/11/2021
 FILE: ... \SUPERS

DES BY: <u>S. NIFONG</u>	DATE: <u>07/19</u>	DWG BY: <u>B. PETERSON</u>	DATE: <u>07/19</u>
DES CHK: <u>G. SCHMITZ</u>	DATE: <u>07/19</u>	CHK BY: <u>S. NIFONG</u>	DATE: <u>08/19</u>