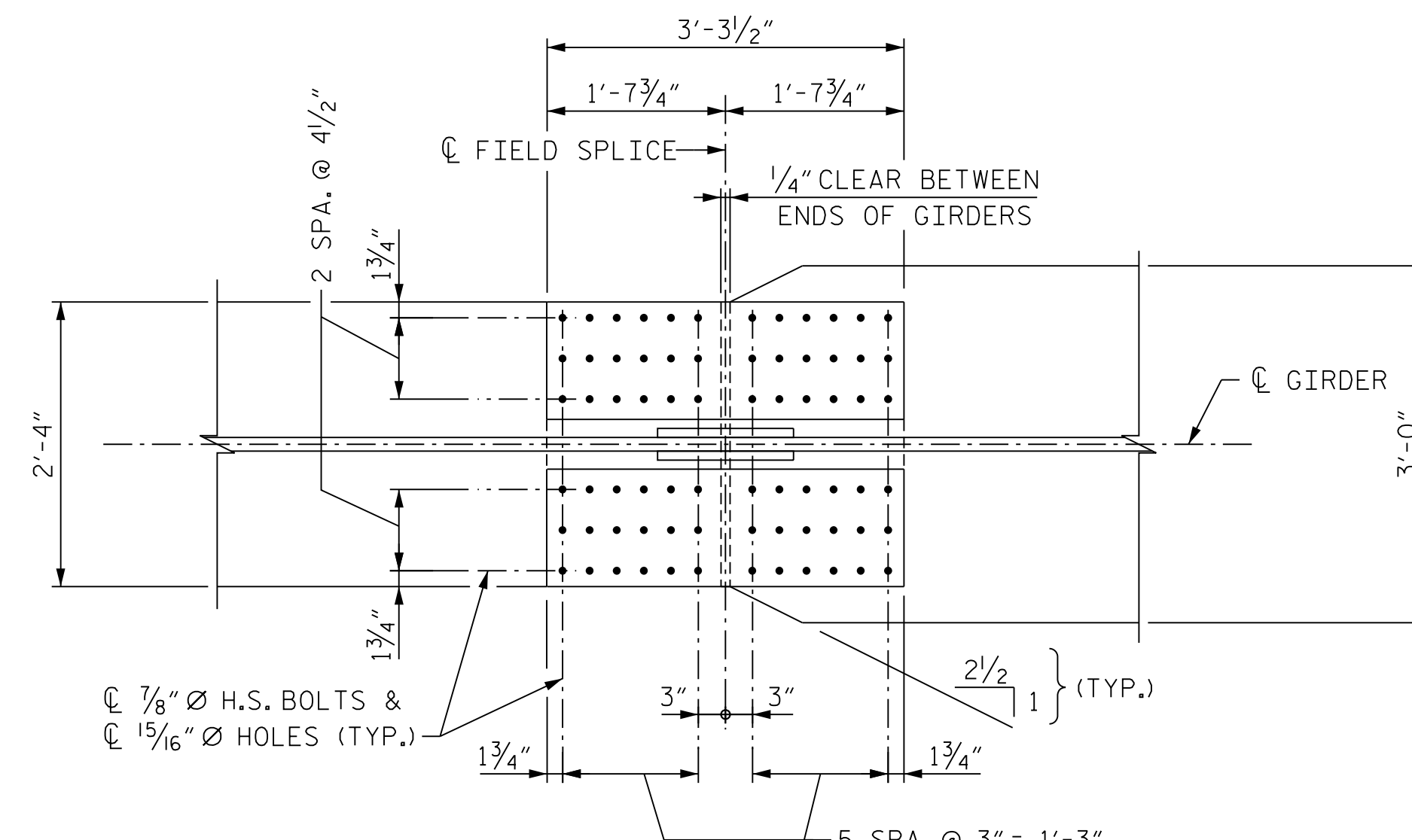


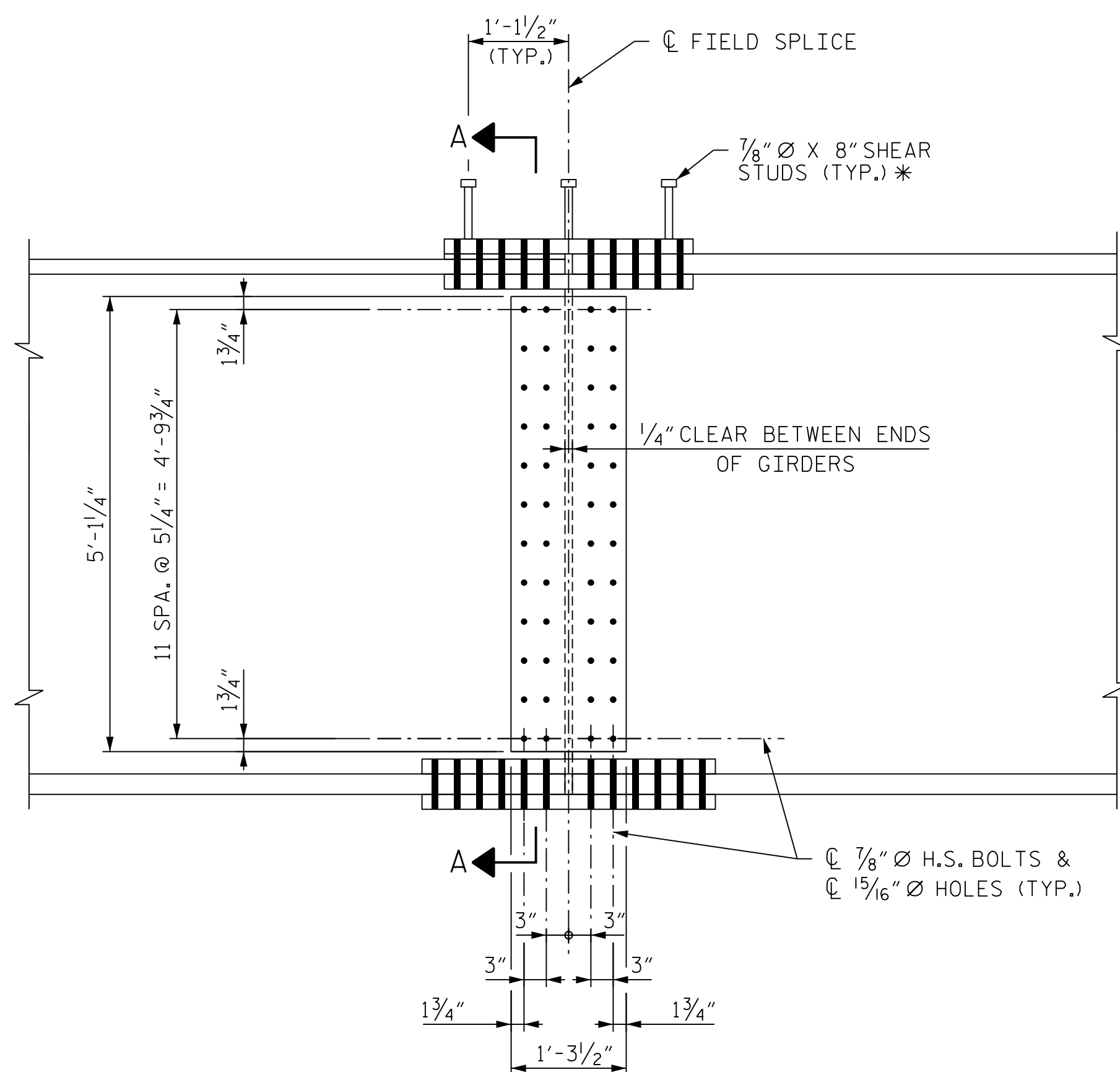
PLAN (TOP OF TOP FLANGE)

(STUDS NOT SHOWN FOR CLARITY)

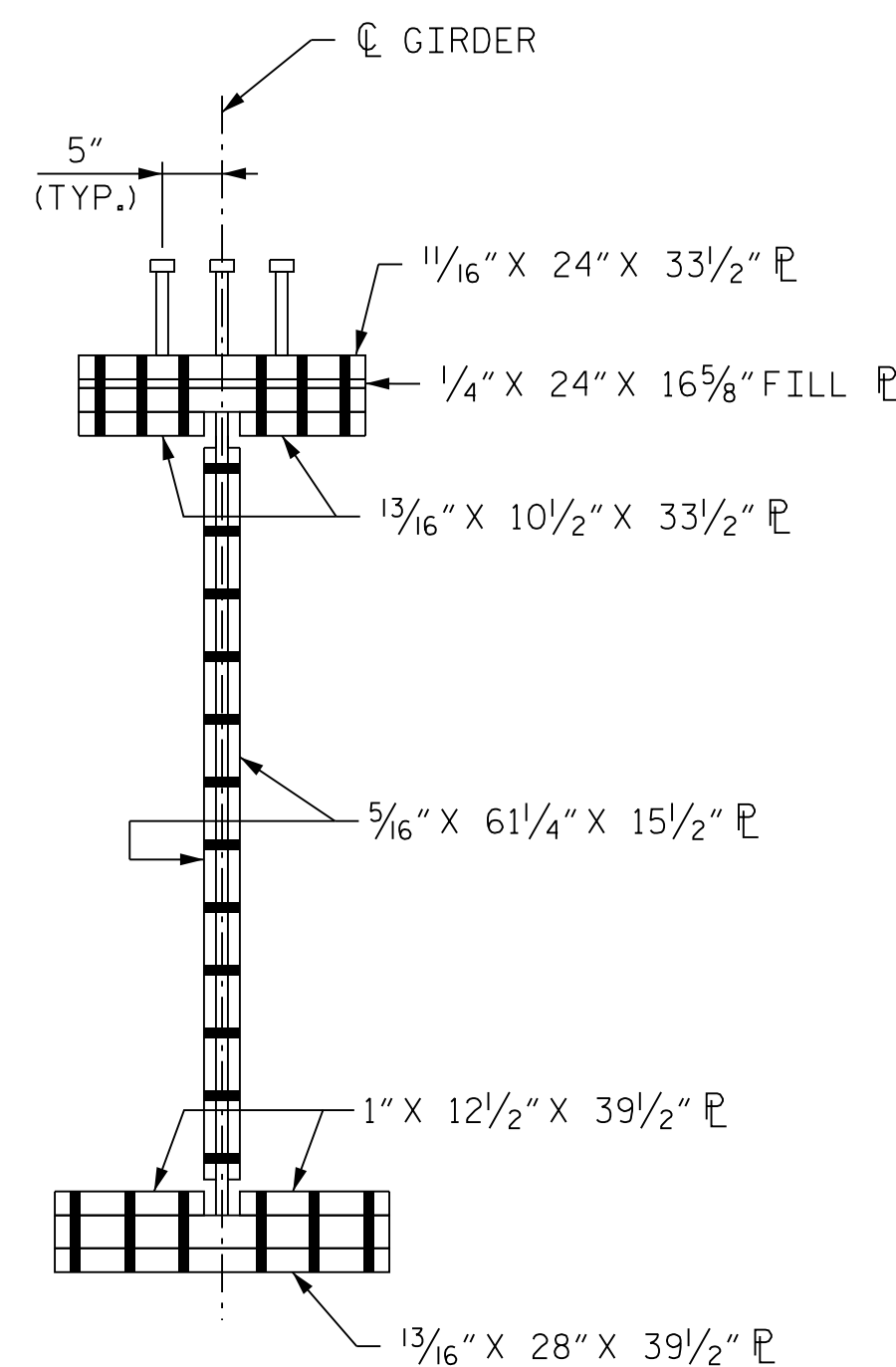
* = SHEAR STUDS ARE TO BE SHOP WELDED ON TOP OF PLATE BEFORE FIELD ASSEMBLY



PLAN (TOP OF BOTTOM FLANGE)



ELEVATION



SECTION A-A

NOTE
ORIENTATION OF PLAN AND ELEVATION VIEWS MAY VARY BASED ON FIELD SPLICE LOCATION

PROJECT NO. U-2579AB
FORSYTH COUNTY
STATION: 47+63.62 -Y15FLYBD-

SHEET 5 OF 14

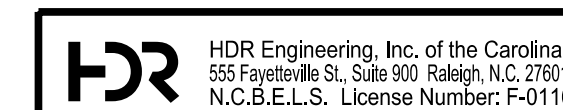
STATE OF NORTH CAROLINA
DEPARTMENT OF TRANSPORTATION
RALEIGH

**SUPERSTRUCTURE
BOLTED FIELD SPLICE
DETAILS - TYPE "E"**



10/11/2021

DES BY: S. NIFONG	DATE: 07/19	DWG BY: B. PETERSON	DATE: 07/19
DES CHK: G. SCHMITZ	DATE: 07/19	CHK BY: S. NIFONG	DATE: 08/19



DOCUMENT NOT CONSIDERED FINAL
UNLESS ALL SIGNATURES COMPLETED

REVISIONS						SHEET NO. S05-040 TOTAL SHEETS 116
NO.	BY:	DATE:	NO.	BY:	DATE:	
1	--	--	3	--	--	
2	--	--	4	--	--	

PLOT DRIVER: NCDOT_pdf_color_eng-50.ppt
 USER: PPETERSO DATE: 10/11/2021
 PENTABLE: NCDOT_STRUCTURES_DEFAULT_PEN.tbl
 TIME: 8:22:38 AM
 FILE: ... \SUPERS