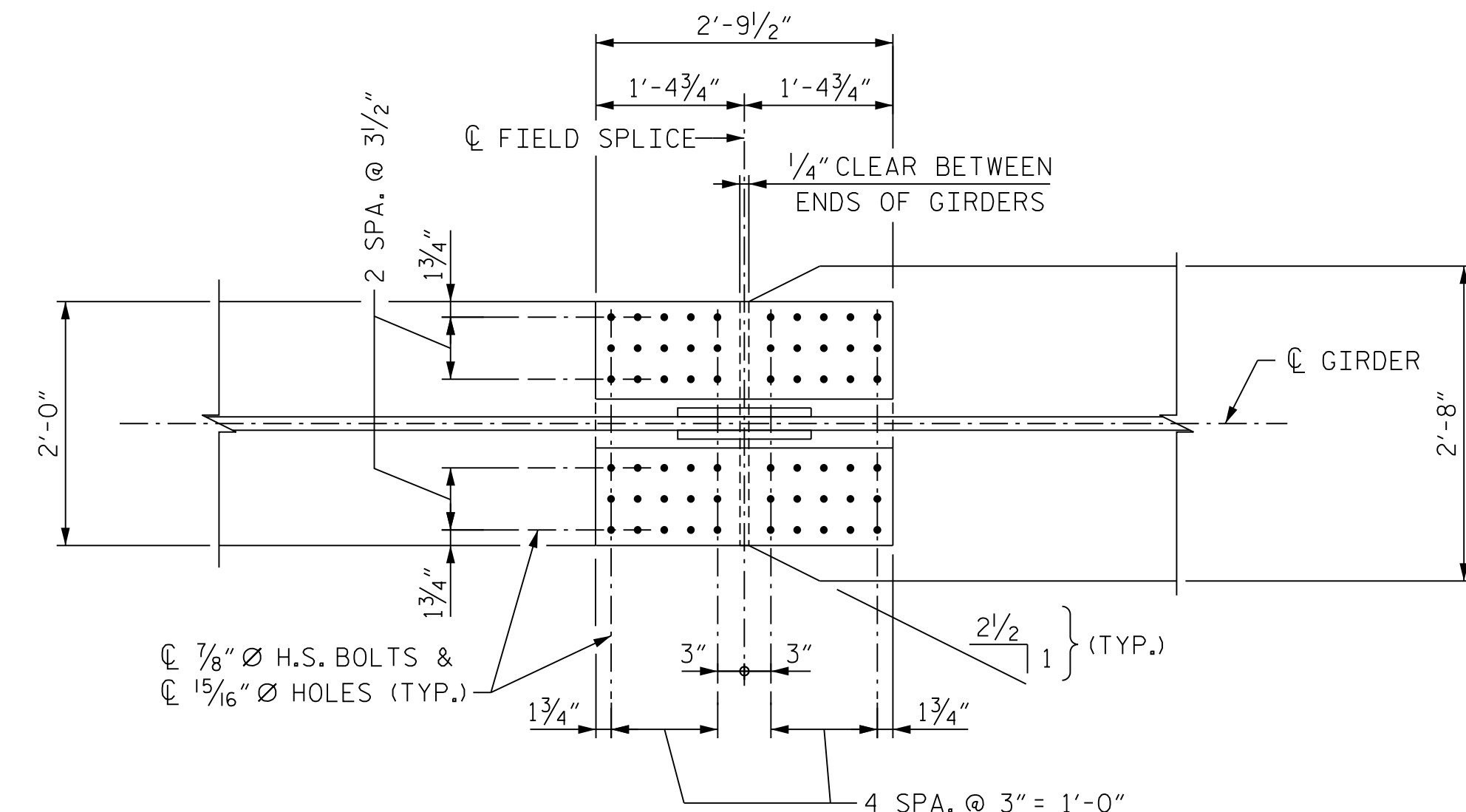


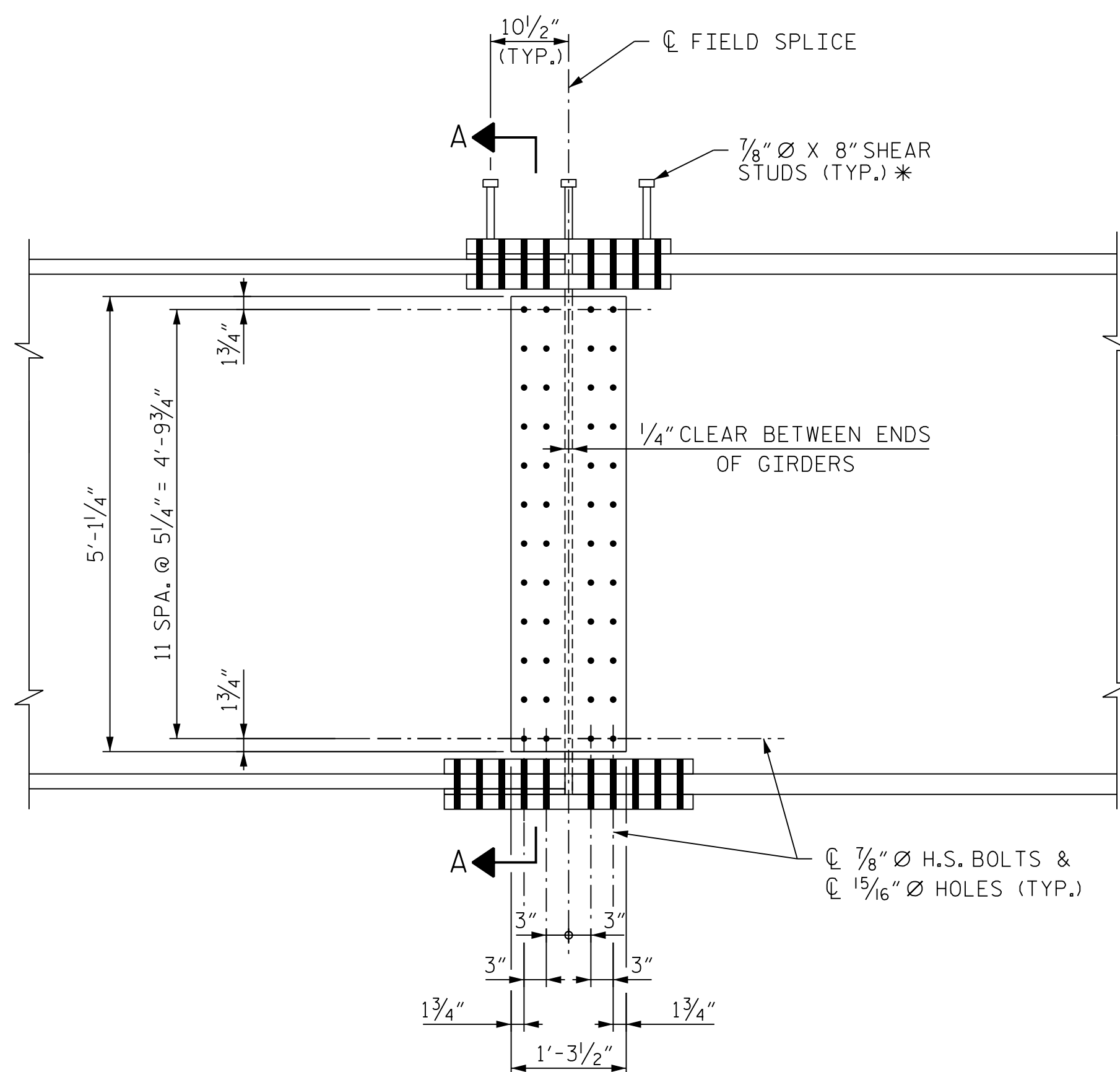
**PLAN (TOP OF TOP FLANGE)**

(STUDS NOT SHOWN FOR CLARITY)

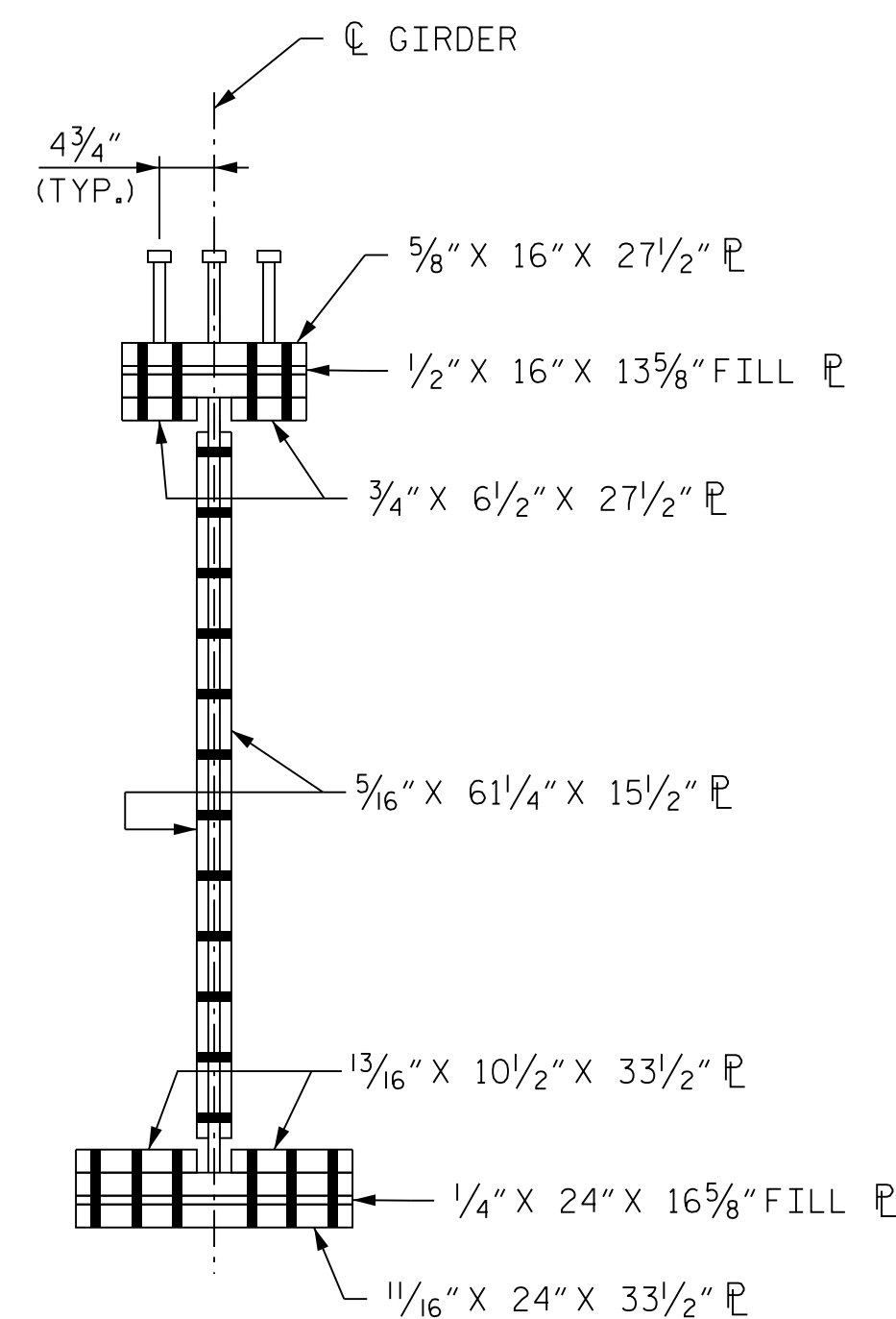
\* = SHEAR STUDS ARE TO BE SHOP WELDED ON TOP OF PLATE BEFORE FIELD ASSEMBLY



**PLAN (TOP OF BOTTOM FLANGE)**



**ELEVATION**



**SECTION A-A**

**NOTE**  
ORIENTATION OF PLAN AND ELEVATION VIEWS MAY VARY BASED ON FIELD SPLICE LOCATION

PROJECT NO. U-2579AB  
FORSYTH COUNTY  
 STATION: 47+63.62 -Y15FLYBD-

SHEET 2 OF 14

STATE OF NORTH CAROLINA  
 DEPARTMENT OF TRANSPORTATION  
 RALEIGH

**SUPERSTRUCTURE  
 BOLTED FIELD SPLICE  
 DETAILS - TYPE "B"**



*Dominic A. Coletti* 10/11/2021

REVISIONS						SHEET NO. S05-037 TOTAL SHEETS 116
NO.	BY:	DATE:	NO.	BY:	DATE:	
1	--	--	3	--	--	
2	--	--	4	--	--	



**DOCUMENT NOT CONSIDERED FINAL  
 UNLESS ALL SIGNATURES COMPLETED**

PLOT DRIVER: NCDOT... PENTABLE: NCDOT... USER: PPETERSO... FILE: ... \SUPERS

DES BY: <u>S. NIFONG</u>	DATE: <u>07/19</u>	DWG BY: <u>B. PETERSON</u>	DATE: <u>07/19</u>
DES CHK: <u>G. SCHMITZ</u>	DATE: <u>07/19</u>	CHK BY: <u>S. NIFONG</u>	DATE: <u>08/19</u>