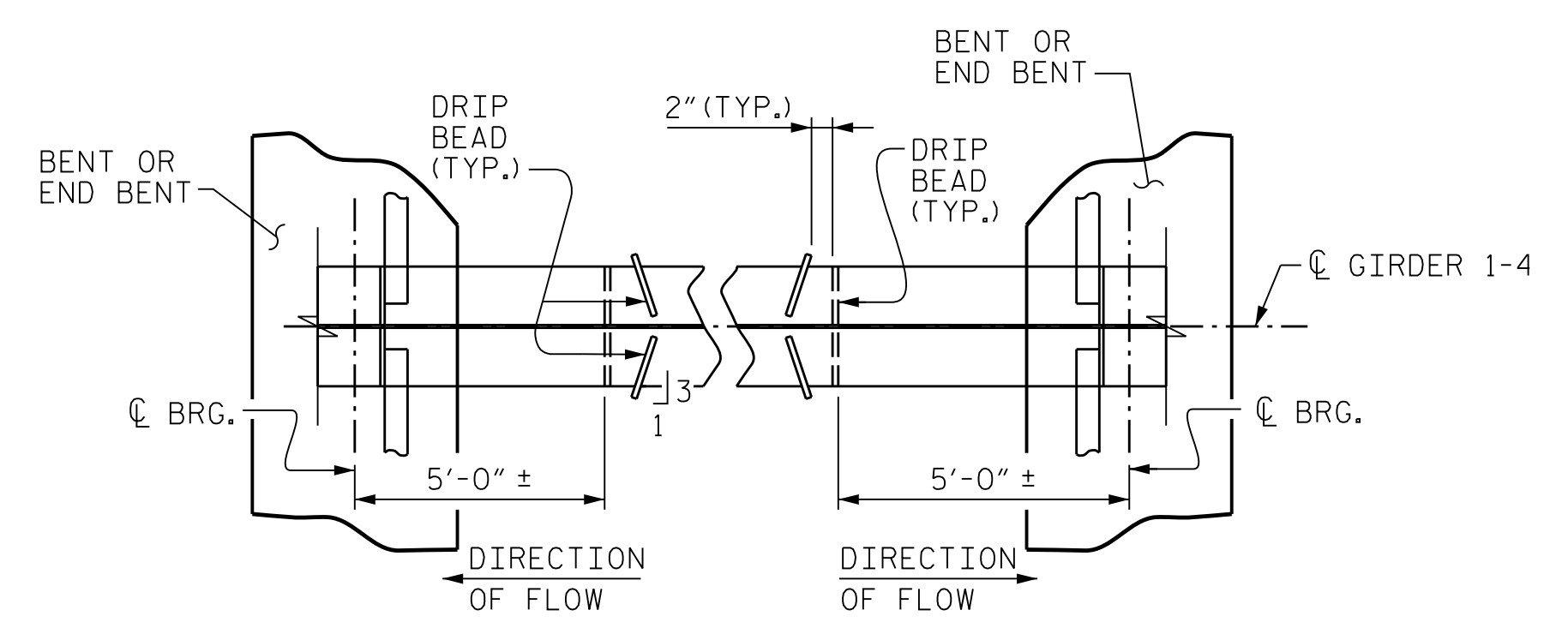
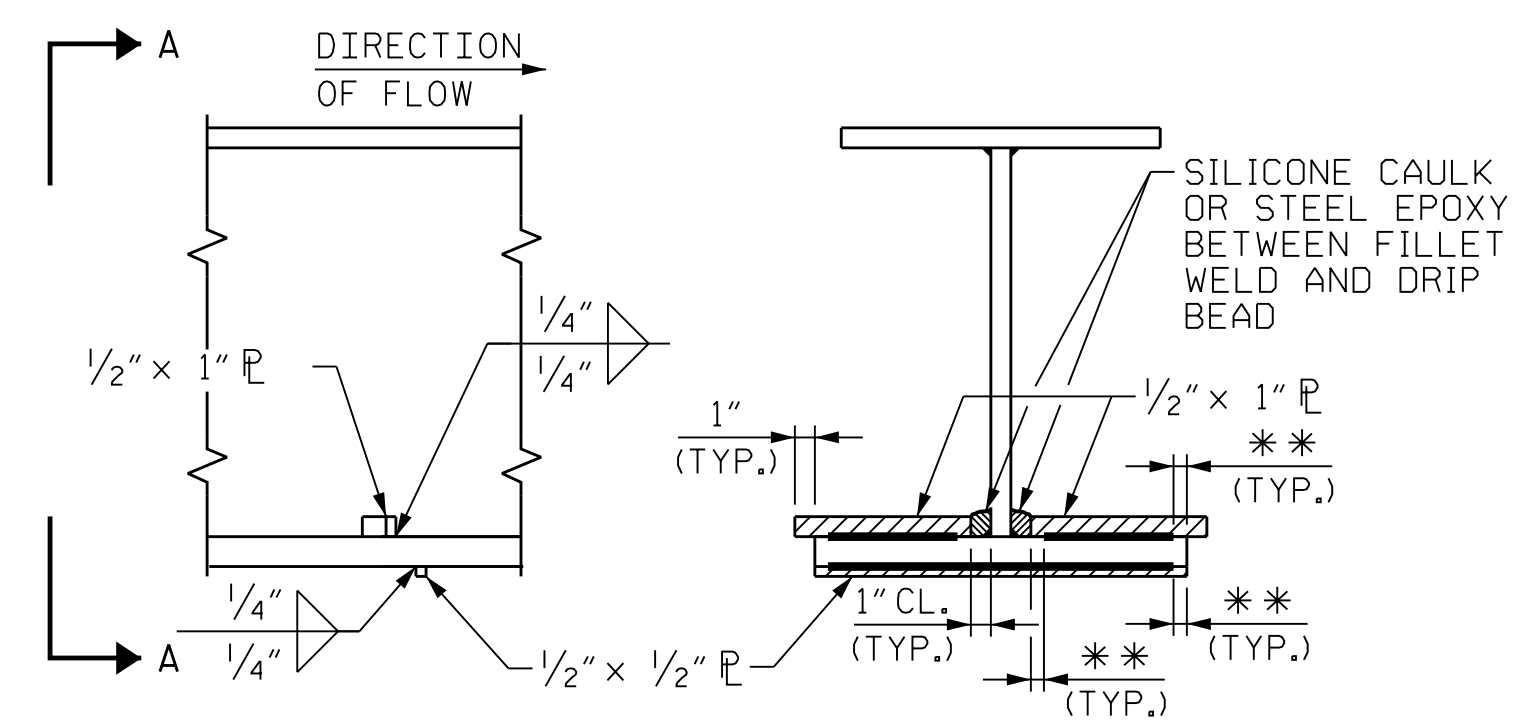


INTERMEDIATE DIAPHRAGMS AND BENT DIAPHRAGMS (D2)

⊕ = TYP, ALONG SIDES OF ALL ANGLES
 † = TYP @ ENDS OF ALL ANGLES



PART PLAN - BOTTOM FLANGE

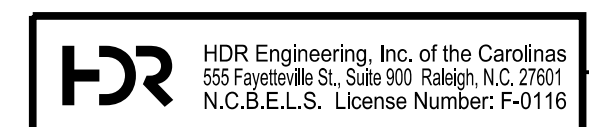


DRIP BEAD DETAILS

** SEE "WELD TERMINATION DETAILS"

PLOT DRIVER: NCDOT_pdf_color_eng-50.ppt
 USER: PPETERSO DATE: 10/17/2021
 PENTABLE: NCDOT STRUCTURES DEFAULT PEN.tbl
 TIME: 8:22:25 AM
 FILE: ... \SUPERS

DES BY: S. NIFONG	DATE: 07/19	DWG BY: B. PETERSON	DATE: 07/19
DES CHK: G. SCHMITZ	DATE: 07/19	CHK BY: G. SCHMITZ	DATE: 08/19



PROJECT NO. U-2579AB
FORSYTH COUNTY
 STATION: 47+63.62 -Y15FLYBD-
 SHEET 2 OF 2

STATE OF NORTH CAROLINA
 DEPARTMENT OF TRANSPORTATION
 RALEIGH

SUPERSTRUCTURE STRUCTURAL STEEL DETAILS

REVISIONS					
NO.	BY:	DATE:	NO.	BY:	DATE:
1	--	--	3	--	--
2	--	--	4	--	--

SHEET NO. S05-035
 TOTAL SHEETS 116

10/11/2021

DOCUMENT NOT CONSIDERED FINAL UNLESS ALL SIGNATURES COMPLETED