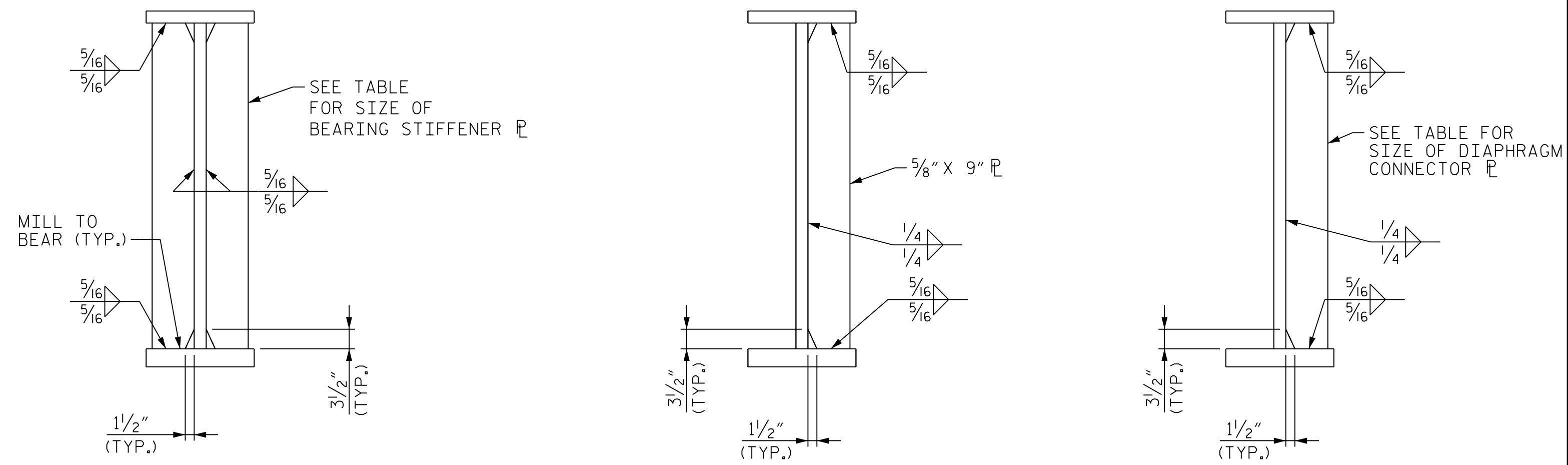


END DIAPHRAGMS (D1)



BEARING STIFFENER

NOTE: BEARING STIFFENER MAY REQUIRE COPING IF WIDER THAN BOT. FLANGE

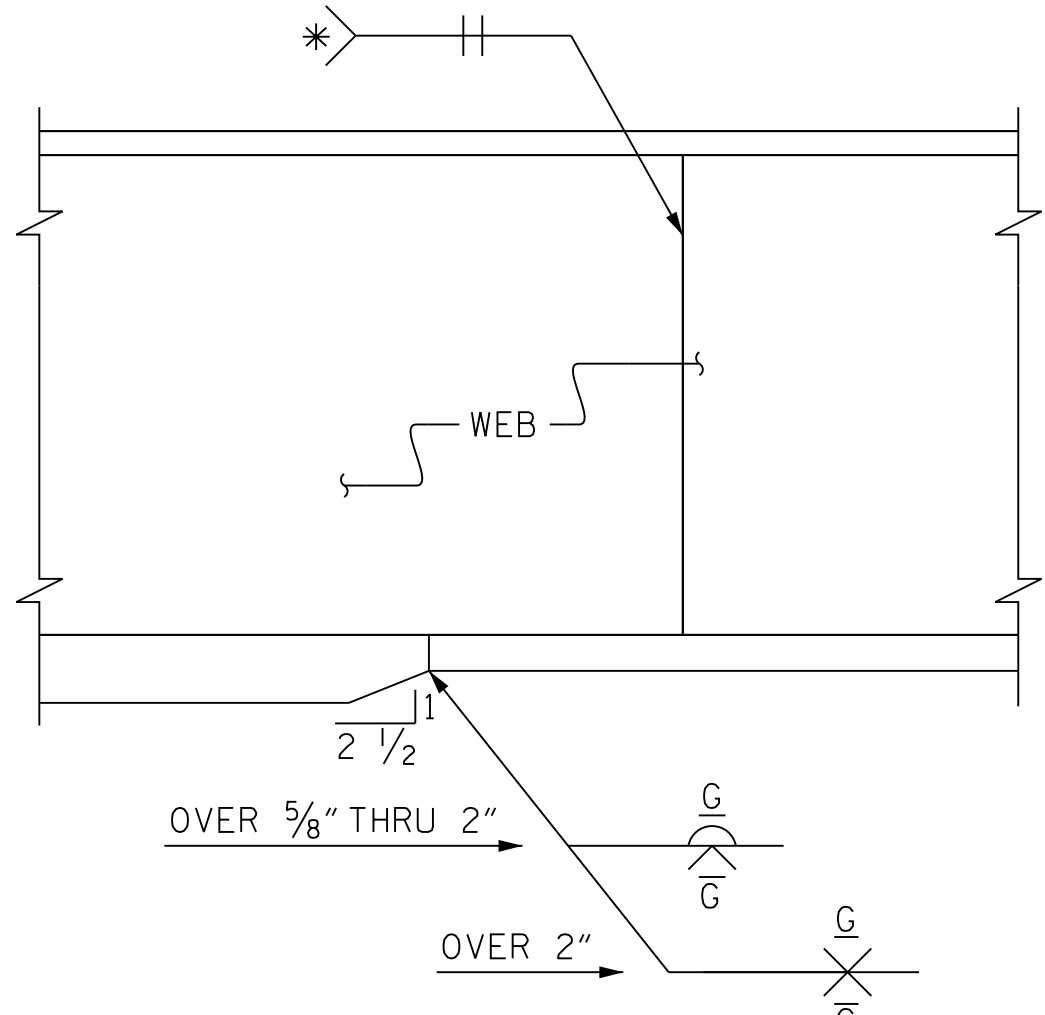
INTERMEDIATE STIFFENER

CONNECTOR PLATE

BEARING STIFFENERS	
SIZE	LOCATIONS *
1" X 11"	END BENT 1, BENT 4 AH
1 1/2" X 15 1/2"	BENT 1, BENT 5, BENT 6
1 1/8" X 12"	BENT 2, BENT 3, BENT 4 BK
1 1/4" X 14"	END BENT 2

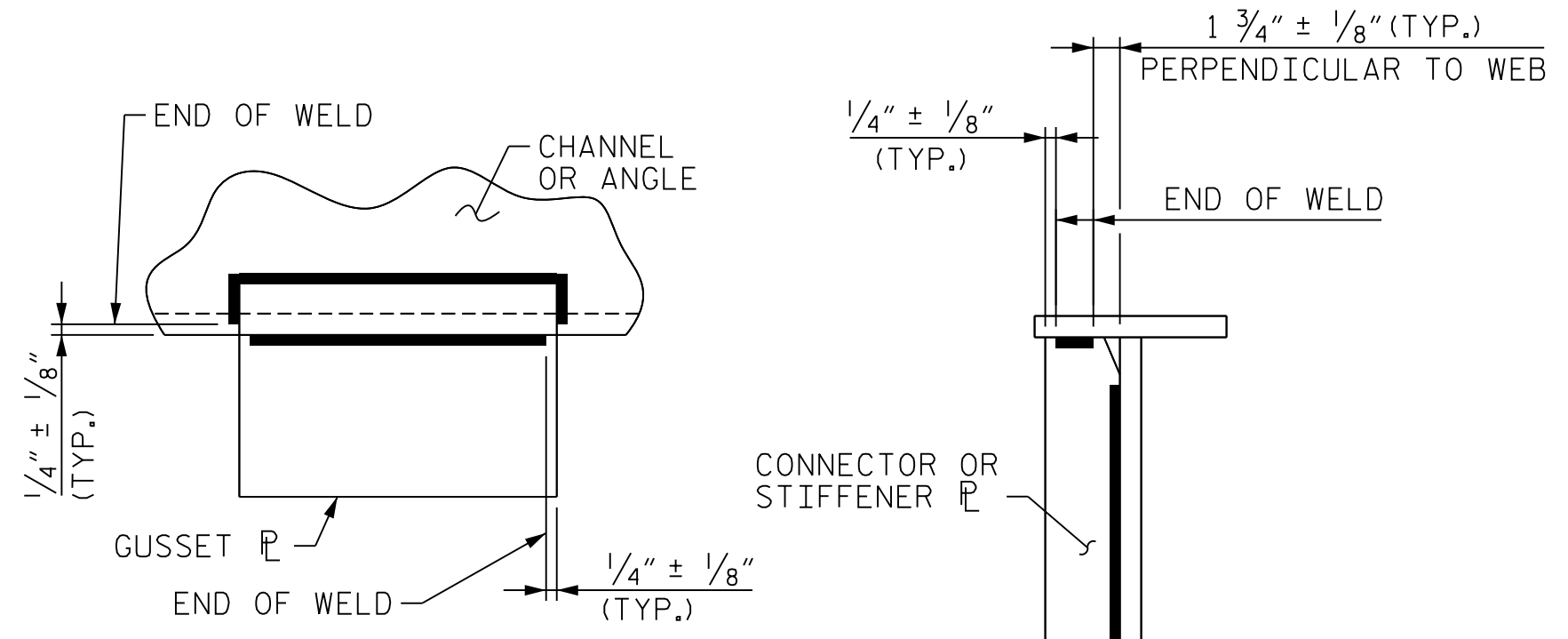
\* NOTE: BK = BACK STATION  
AH = AHEAD STATION

DIAPHRAGM CONNECTOR PLATES	
MAXIMUM FLANGE PLATE WIDTH	MIN. SIZE
≤ 34"	8 1/2" X 5/8"
36"	9" X 5/8"

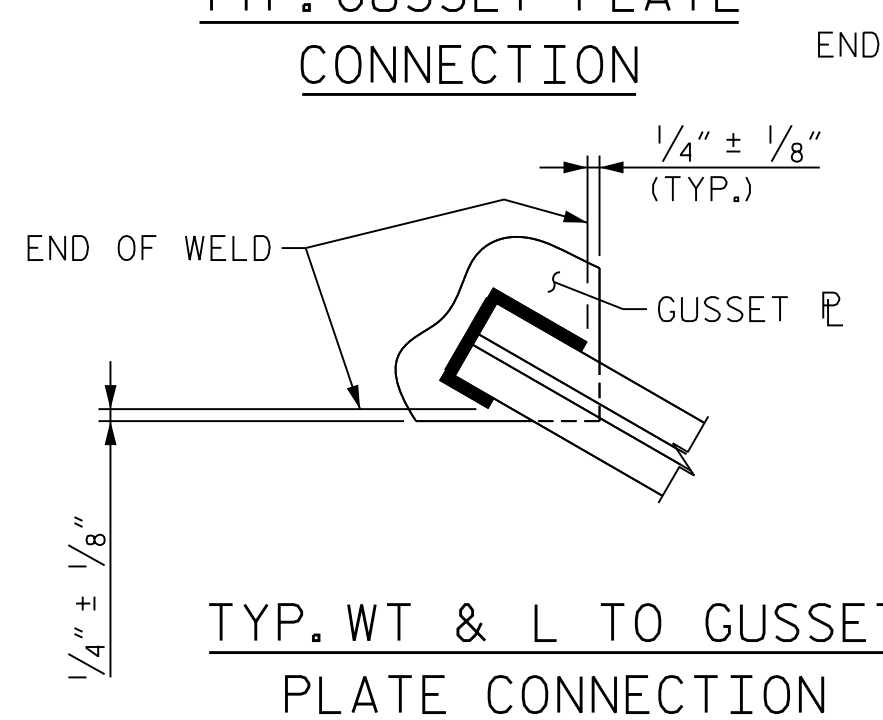


TYPICAL FLANGE AND WEB BUTT JOINT  
SHOP SPLICE DETAILS

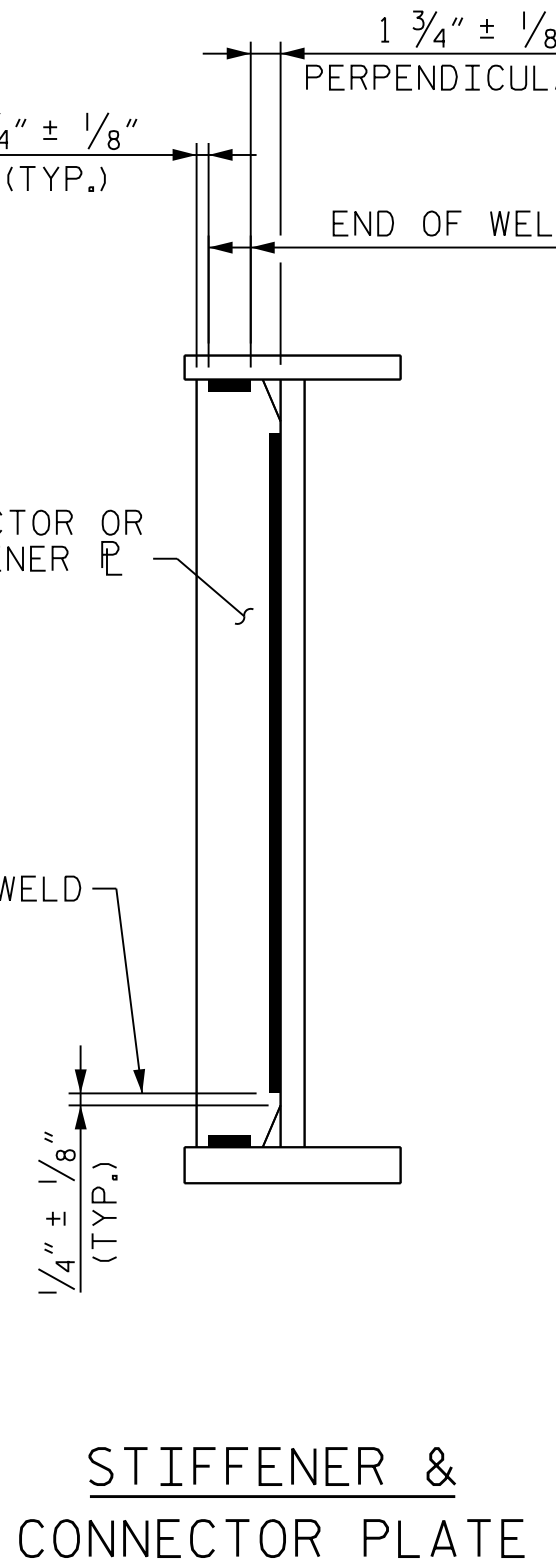
\* GRIND SMOOTH AND FLUSH ON OUTER FACE OF EXTERIOR BEAMS/ GIRDERS.



TYP. GUSSET PLATE CONNECTION

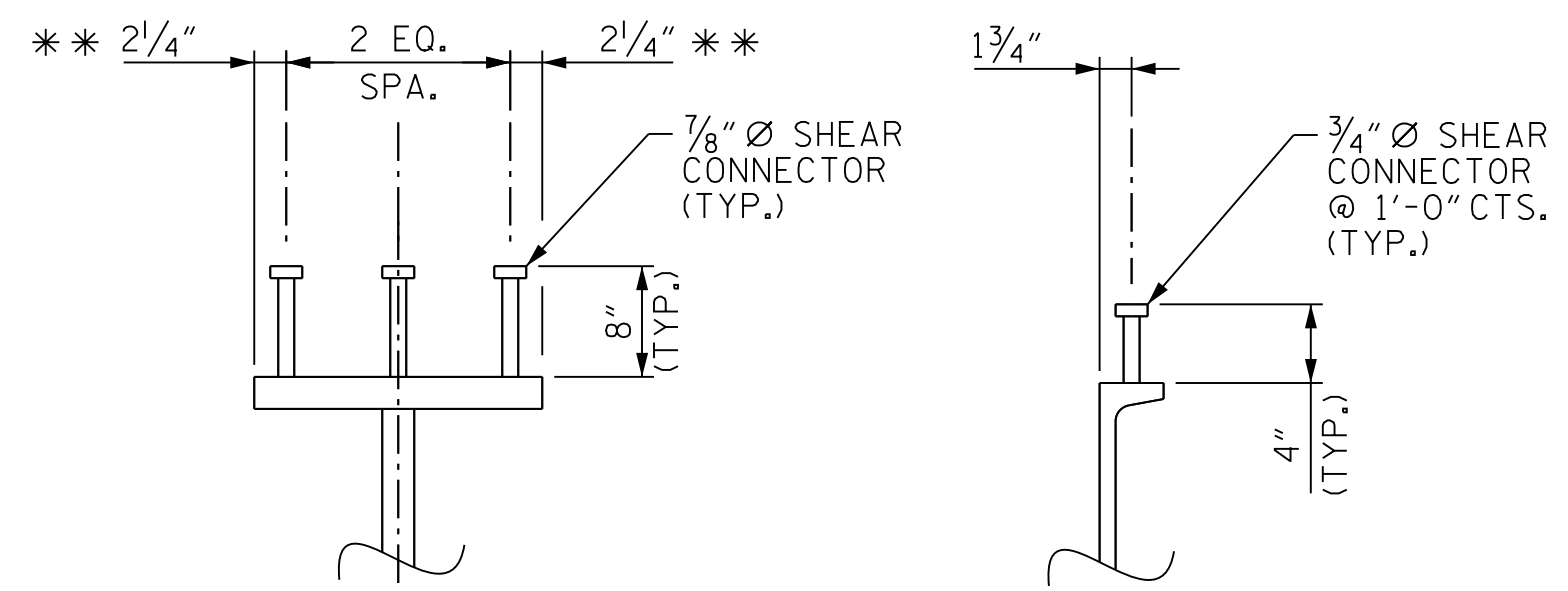


TYP. WT & L TO GUSSET PLATE CONNECTION



STIFFENER & CONNECTOR PLATE

WELD TERMINATION DETAILS



GIRDER SHEAR CONNECTORS

DIAPHRAGM SHEAR CONNECTORS

SHEAR CONNECTOR DETAILS

\*\* FOR SPACING OF SHEAR CONNECTORS ON THE TOP PLATE OF FIELD SPLICES, SEE "SUPERSTRUCTURE BOLTED FIELD SPLICE DETAILS."

PROJECT NO. U-2579AB  
FORSYTH COUNTY  
STATION: 47+63.62 -Y15FLYBD-

SHEET 1 OF 2

STATE OF NORTH CAROLINA  
DEPARTMENT OF TRANSPORTATION  
RALEIGH

SUPERSTRUCTURE  
STRUCTURAL STEEL  
DETAILS



10/11/2021

REVISIONS						SHEET NO. S05-034 TOTAL SHEETS 116
NO.	BY:	DATE:	NO.	BY:	DATE:	
1	--	--	3	--	--	
2	--	--	4	--	--	

HDR  
HDR Engineering, Inc. of the Carolinas  
555 Fayetteville St., Suite 900 Raleigh, N.C. 27601  
N.C.B.E.L.S. License Number: F-0116

DOCUMENT NOT CONSIDERED FINAL UNLESS ALL SIGNATURES COMPLETED

PLOT DRIVER: NCDOT...  
USER: PPETERSO...  
DATE: 10/11/2021  
FILE: ... \SUPERS

DES BY: S. NIFONG	DATE: 07/19	DWG BY: B. PETERSON	DATE: 07/19
DES CHK: G. SCHMITZ	DATE: 07/19	CHK BY: G. SCHMITZ	DATE: 08/19