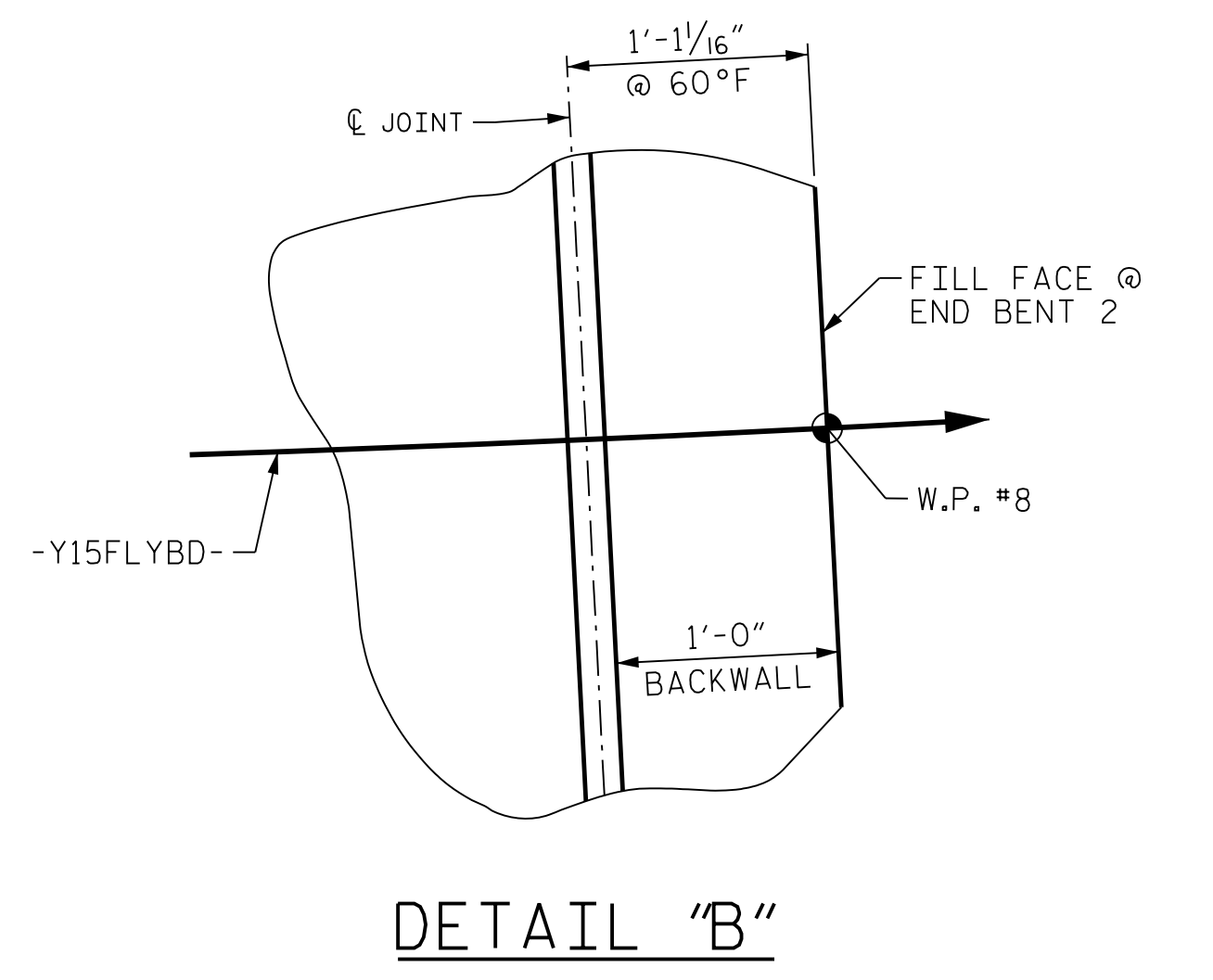


**PARTIAL PLAN OF SPANS - UNIT 2**

\* = DIMENSIONS MEASURED ALONG -Y15FLYBD-

**NOTES**

- FOR SECTION A-A, SEE "SUPERSTRUCTURE TYPICAL SECTION" SHEET 1 OF 2.
- SEE "SUPERSTRUCTURE PLAN OF SPANS ARC OFFSETS" SHEET 2 OF 2 FOR OUTSIDE EDGE OF DECK CURVE OFFSETS.
- FOR REINFORCING STEEL IN CONCRETE BARRIER RAIL, SEE "SUPERSTRUCTURE CONCRETE BARRIER RAIL" SHEETS.
- #5 "A" BARS ARE TO BE PLACED RADIALLY SPACED AT 5" MAX. CTS. ALONG RIGHT OUTSIDE EDGE OF SUPERSTRUCTURE.
- FOR DECK POURING SEQUENCE SEE "SUPERSTRUCTURE BILL OF MATERIALS" SHEET.
- FOR TRANSVERSE CONST. JT. DETAIL, SEE SHEET 1 OF 4.

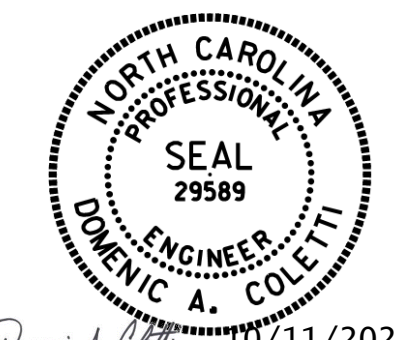


**DETAIL "B"**

PROJECT NO. U-2579AB  
 FORSYTH COUNTY  
 STATION: 47+63.62 -Y15FLYBD-  
 SHEET 4 OF 4

STATE OF NORTH CAROLINA  
 DEPARTMENT OF TRANSPORTATION  
 RALEIGH

**SUPERSTRUCTURE  
 PLAN OF SPANS  
 UNIT 2**



10/11/2021

REVISIONS						SHEET NO. S05-027
NO.	BY:	DATE:	NO.	BY:	DATE:	
1	--	--	3	--	--	TOTAL SHEETS 116
2	--	--	4	--	--	

**HDR** HDR Engineering, Inc. of the Carolinas  
 555 Fayetteville St., Suite 900 Raleigh, N.C. 27601  
 N.C.B.E.L.S. License Number: F-0116

DOCUMENT NOT CONSIDERED FINAL  
 UNLESS ALL SIGNATURES COMPLETED

PLOT DRIVER: NCDOT\_PDF\_PEN.FBI  
 USER: PPEIERSO  
 DATE: 10/11/2021  
 TIME: 8:21:03 AM  
 FILE: ... \SUSPERS

DES BY: <u>A. MILLER</u>	DATE: <u>09/19</u>	DWG BY: <u>B. PETERSON</u>	DATE: <u>07/19</u>
DES CHK: <u>M. NEIHEISEL</u>	DATE: <u>09/19</u>	CHK BY: <u>M. NEIHEISEL</u>	DATE: <u>11/19</u>