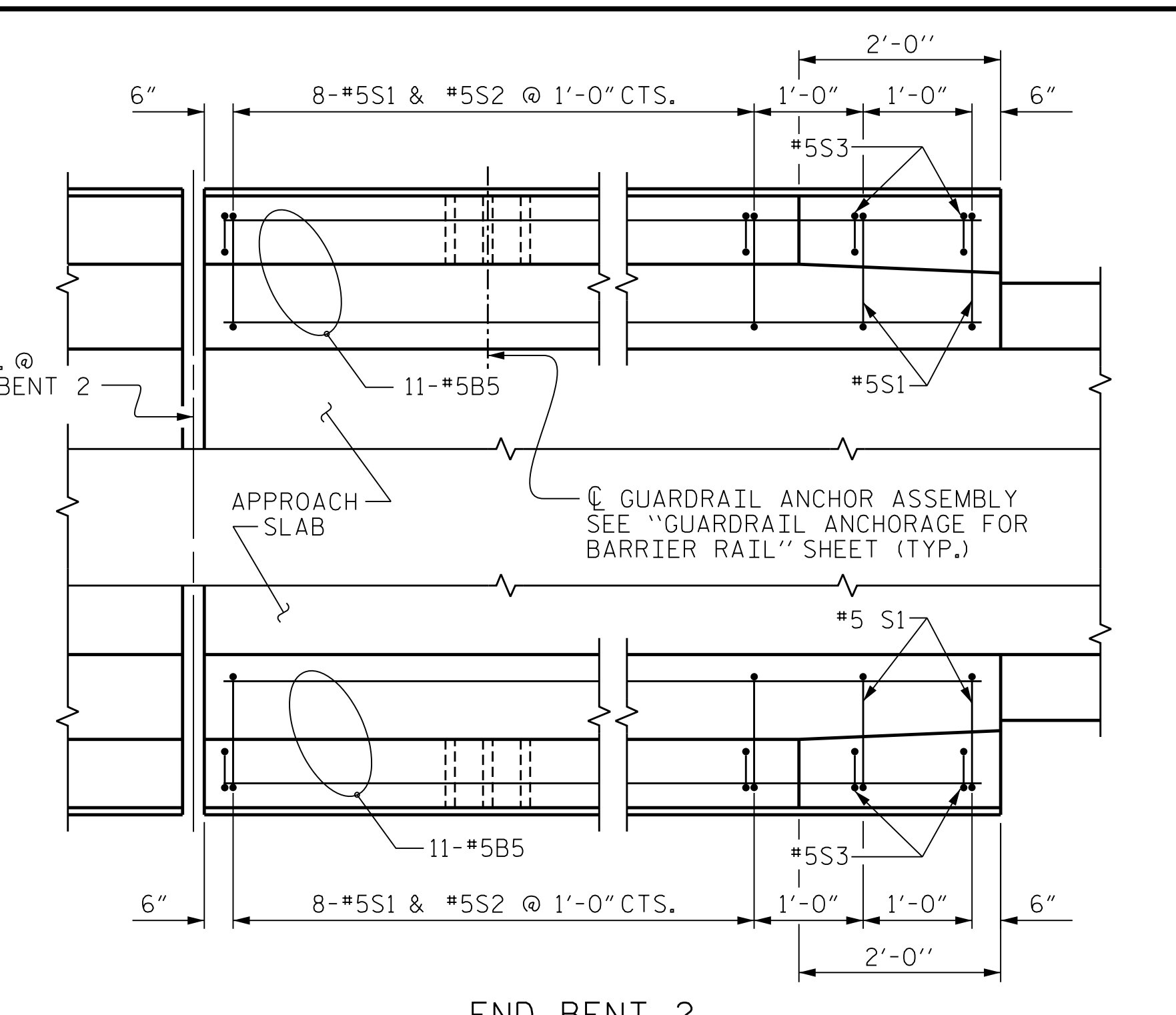


END BENT 1



END BENT 2

PLAN OF BARRIER RAIL

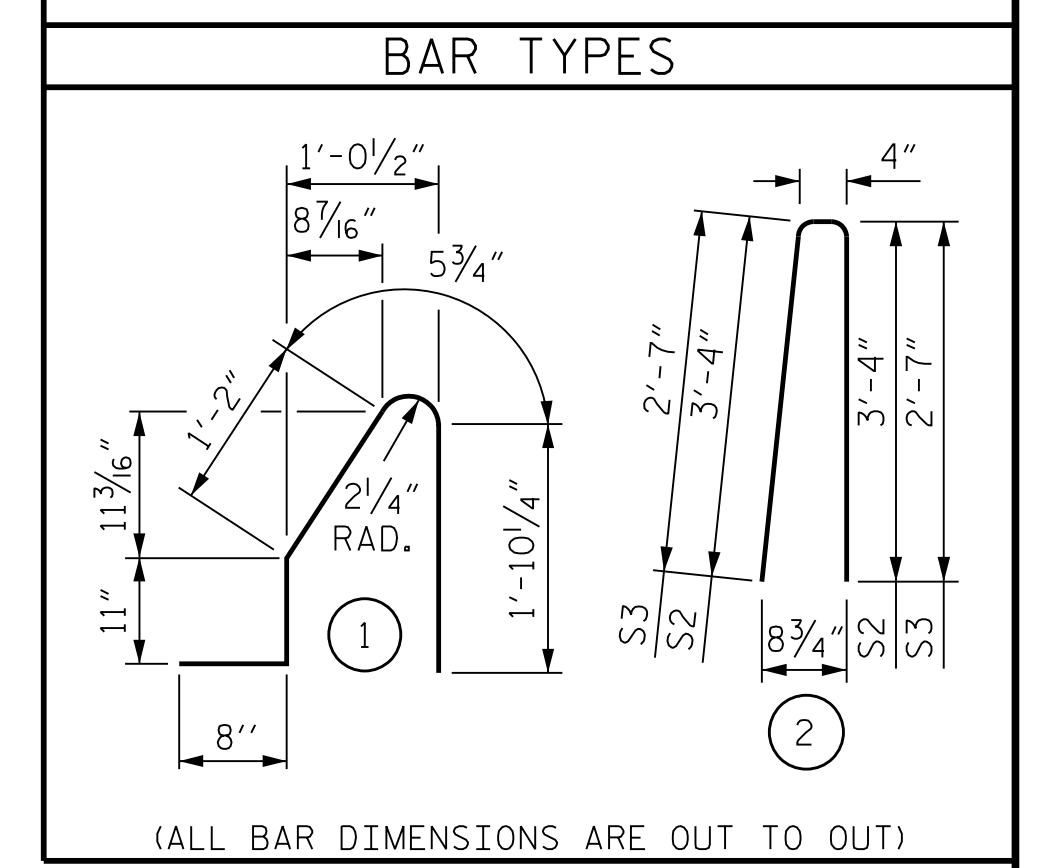
NOTES

THE COST OF THE BARRIER RAIL ON THE APPROACH SLAB SHALL BE INCLUDED IN THE LINEAR FOOT CONTRACT PRICE BID FOR "CONCRETE BARRIER RAIL".

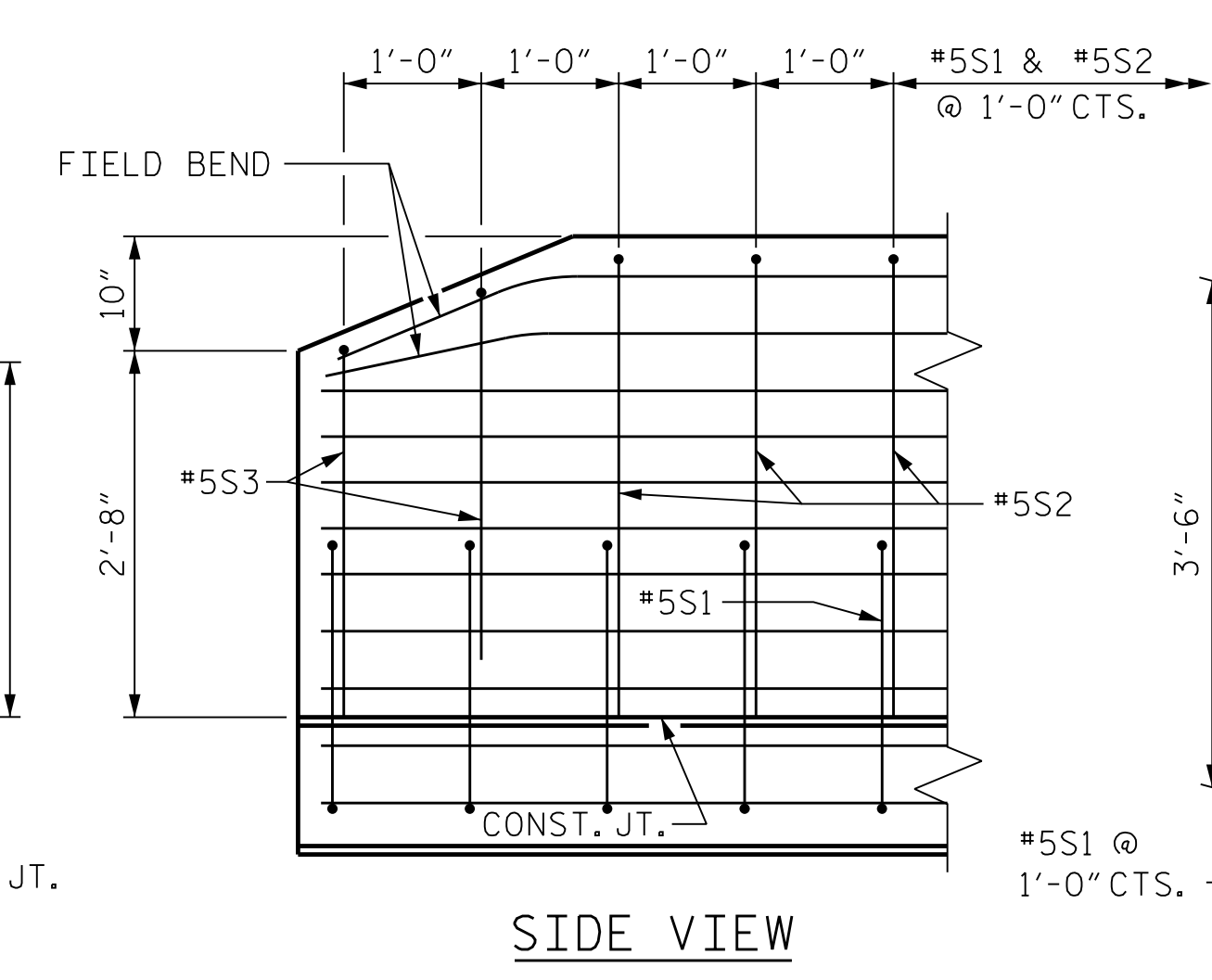
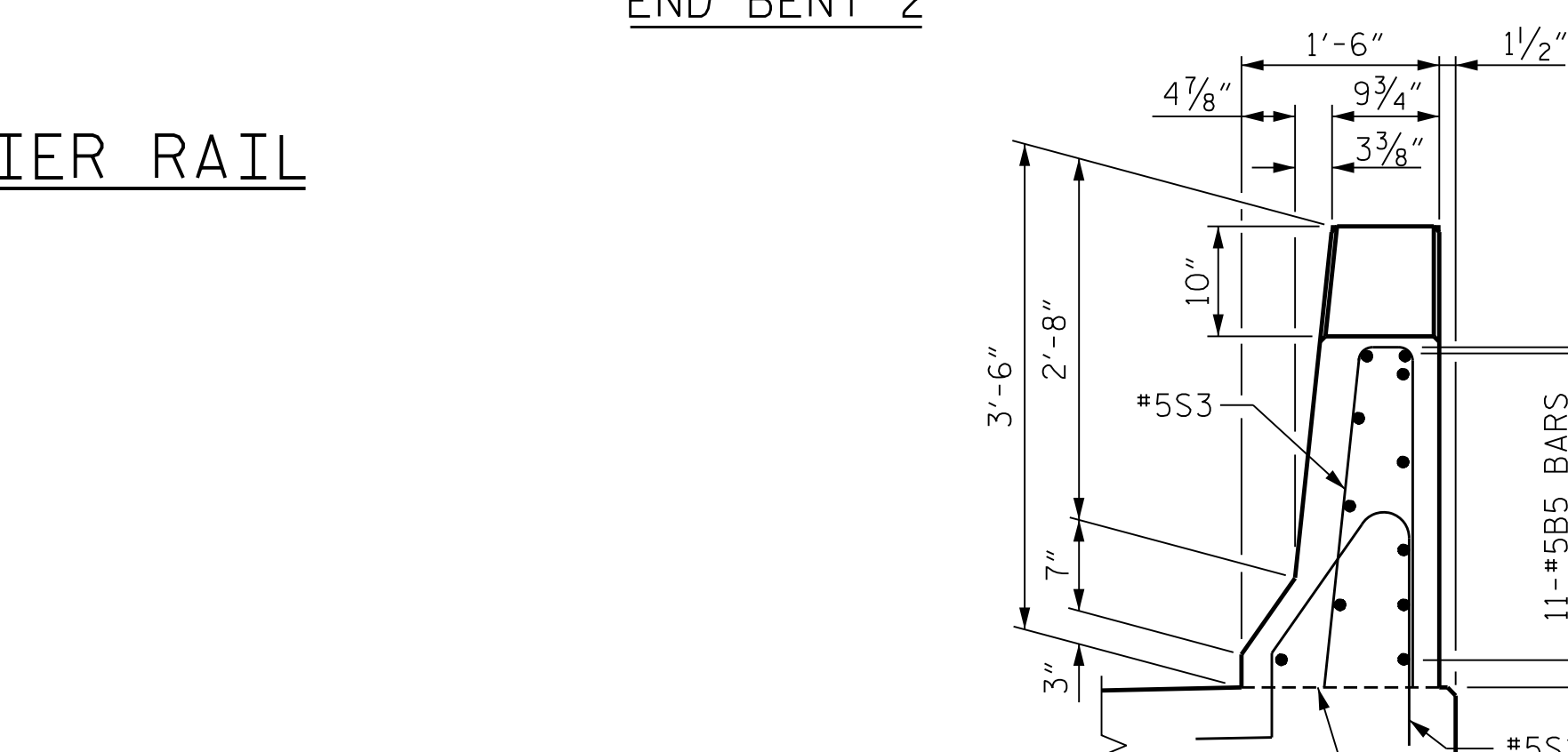
THE BARRIER RAIL ON EACH APPROACH SLAB SHALL NOT BE CAST UNTIL ALL APPROACH SLAB CONCRETE HAS BEEN CAST AND HAS REACHED A MINIMUM COMPRESSIVE STRENGTH OF 3,000 PSI.

ALL REINFORCING STEEL IN BARRIER RAILS SHALL BE EPOXY COATED.

BILL OF MATERIAL					
BARRIER RAIL ONLY					
BAR	NO.	SIZE	TYPE	LENGTH	WEIGHT
*B5	44	#5	STR.	9'-8"	444
*S1	40	#5	1	5'-1"	213
*S2	32	#5	2	7'-0"	234
*S3	8	#5	2	5'-6"	46
*EPOXY COATED REINFORCING STEEL					937 LBS.
CLASS AA CONCRETE					5.3 C. Y.
CONCRETE BARRIER RAIL					40.0 L. F.

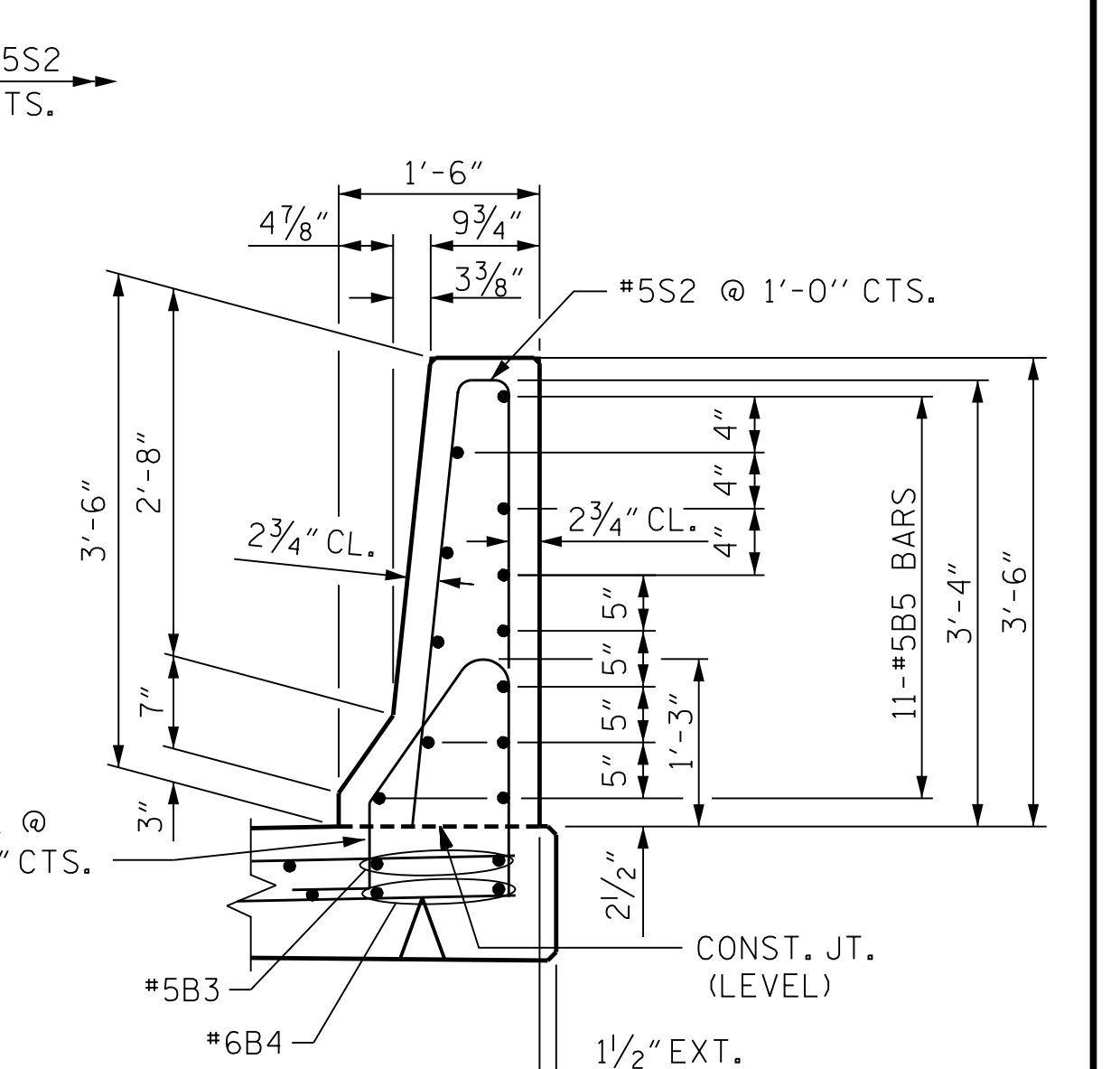


(ALL BAR DIMENSIONS ARE OUT TO OUT)

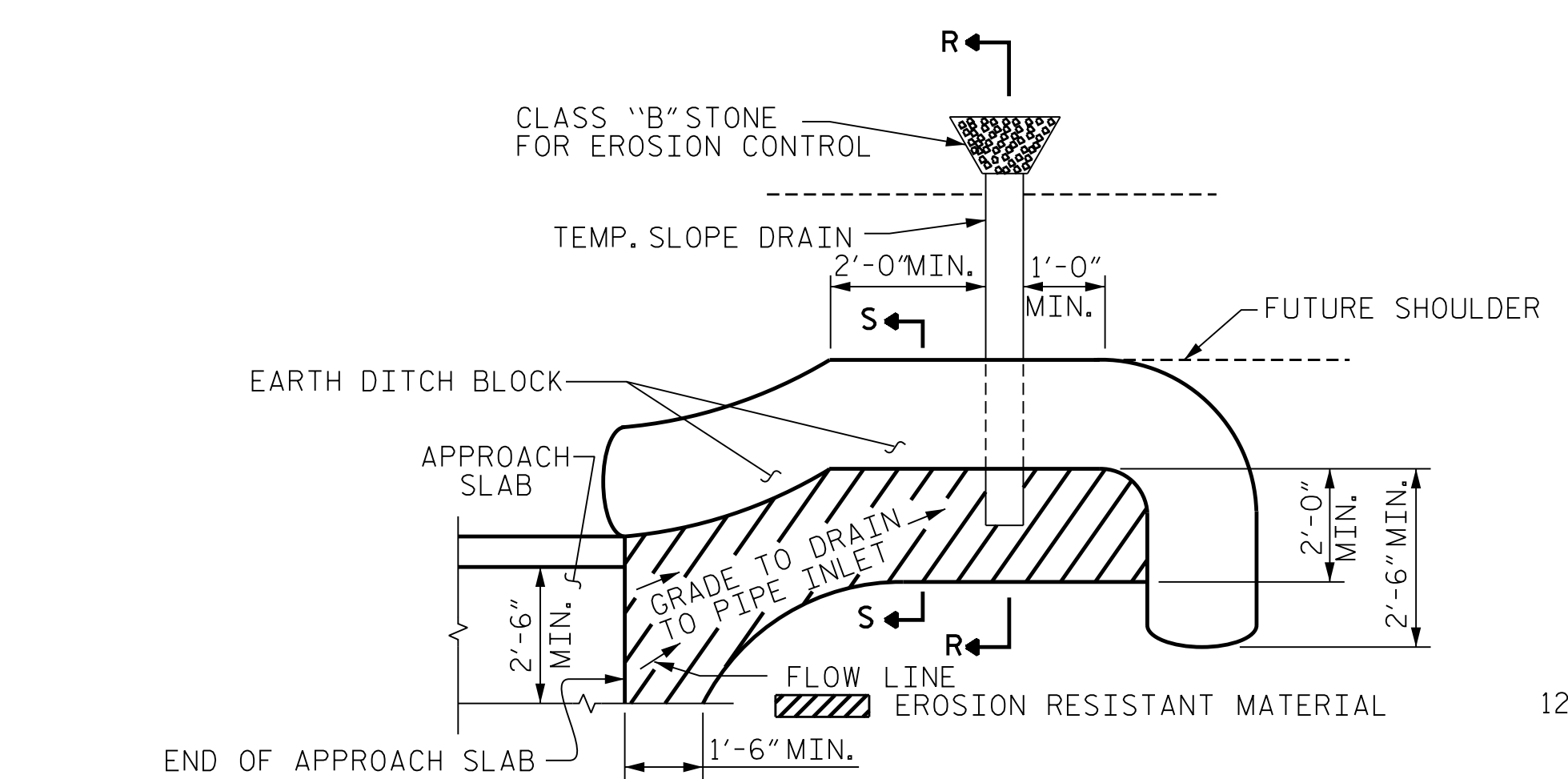


END VIEW

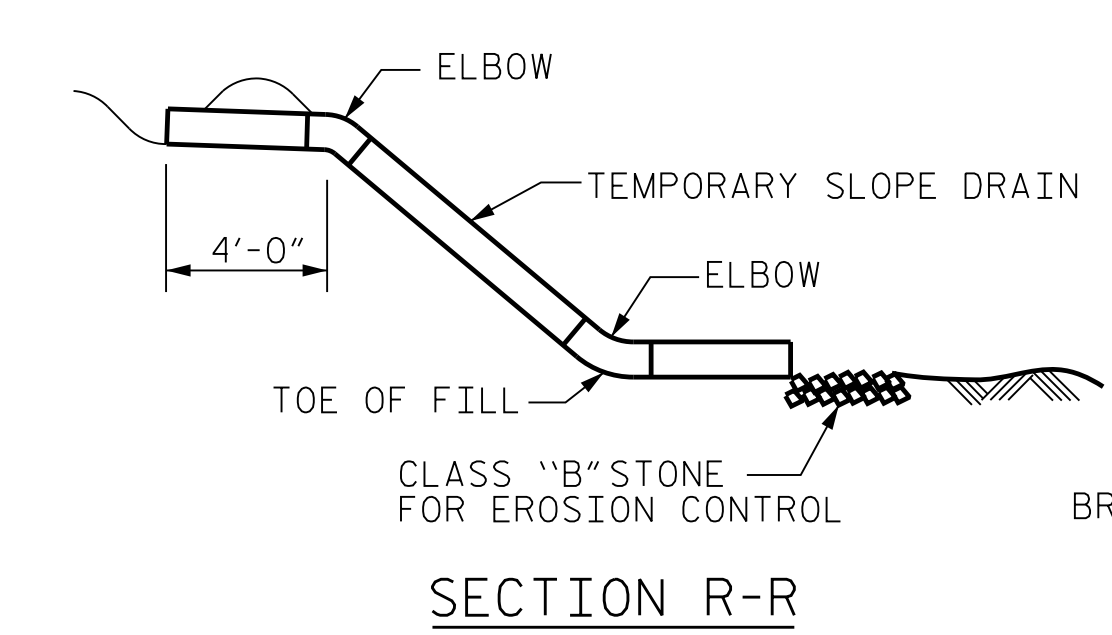
SIDE VIEW



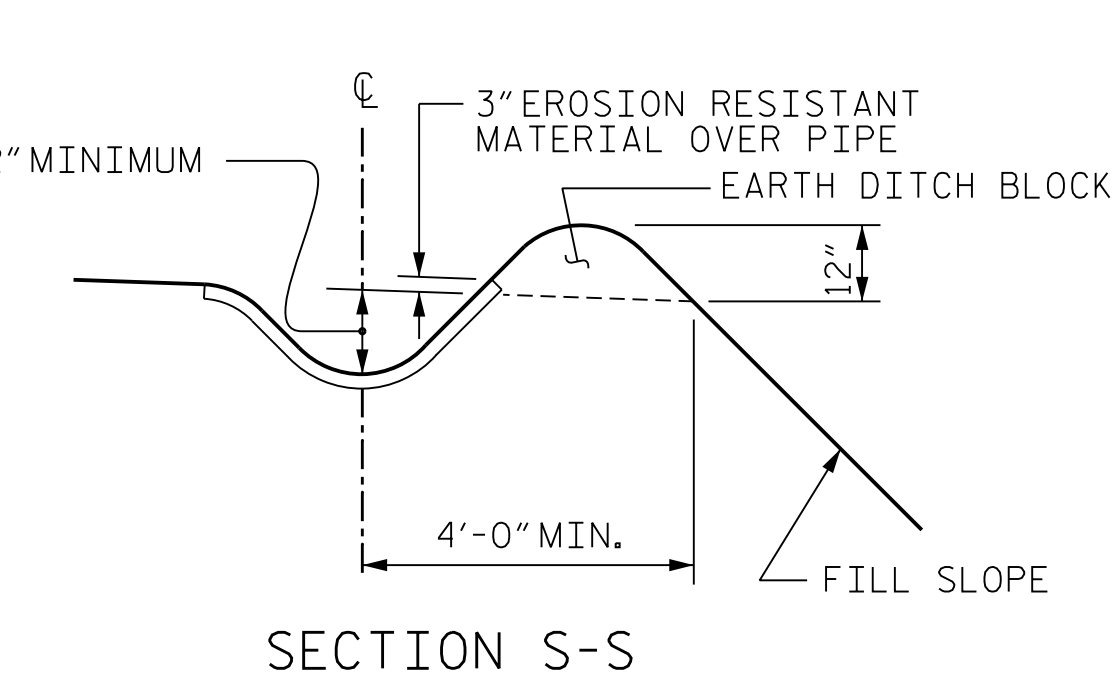
SECTION THRU RAIL



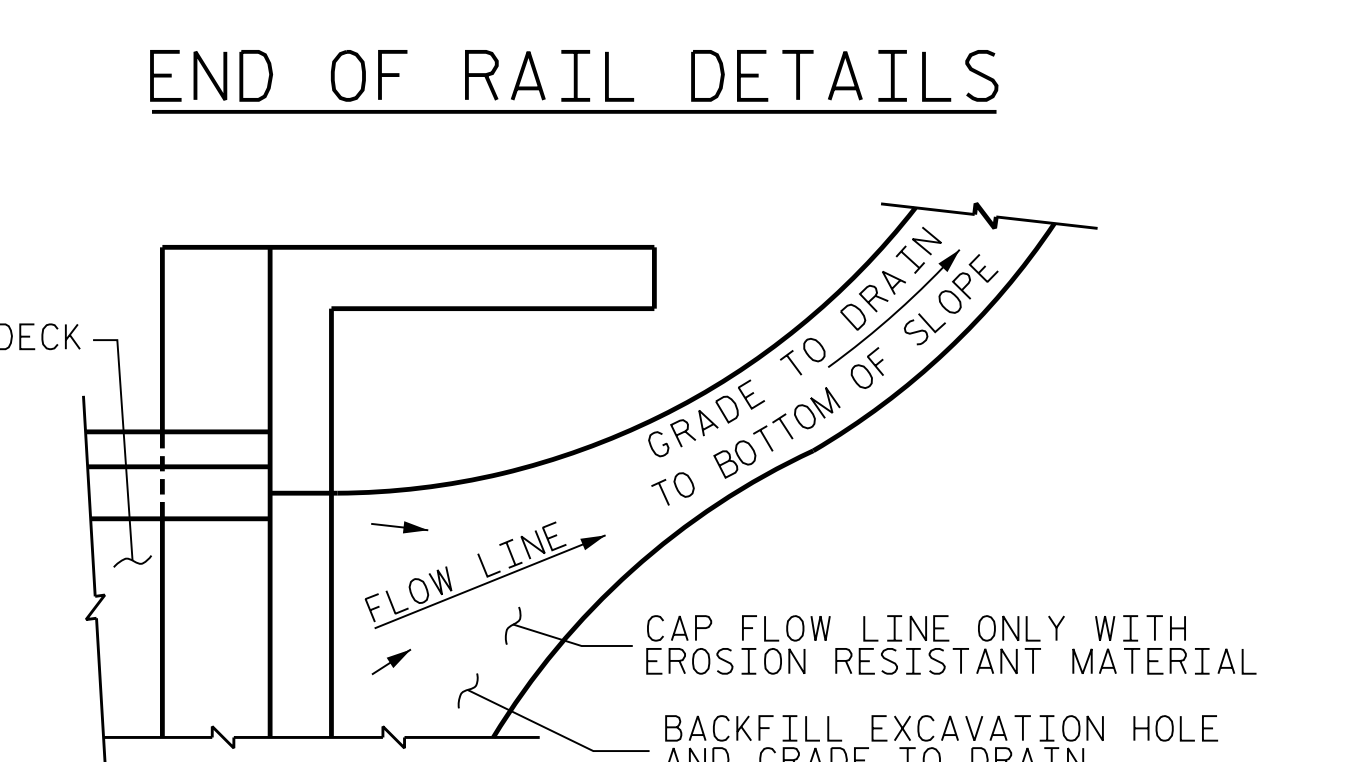
PLAN VIEW



SECTION R-R



SECTION S-S



TEMPORARY DRAINAGE DETAIL

NOTE: IF THE APPROACH SLAB IS NOT CONSTRUCTED IMMEDIATELY AFTER THE BACKFILLING OF THE END BENT EXCAVATION, GRADE TO DRAIN TO THE BOTTOM OF THE SLOPE AND PROVIDE EROSION RESISTANT MATERIAL, SUCH AS FIBERGLASS ROVING OR AS DIRECTED BY THE ENGINEER TO PREVENT SOIL EROSION AND TO PROTECT THE AREA ADJACENT TO THE STRUCTURE. THE CONTRACTOR WILL BE REQUIRED TO REMOVE THESE MATERIALS PRIOR TO CONSTRUCTION OF THE APPROACH SLAB.

TEMPORARY BERM AND SLOPE DRAIN DETAILS

(TO BE USED WHEN SHOULDER BERM GUTTER IS REQUIRED)

PROJECT NO. U-2579AB
 FORSYTH COUNTY
 STATION: 60+66.06 -Y15FLYAC-
 SHEET 3 OF 3

STATE OF NORTH CAROLINA
 DEPARTMENT OF TRANSPORTATION
 RALEIGH

BRIDGE APPROACH SLAB
 DETAILS

REVISIONS

NO.	BY:	DATE:	NO.	BY:	DATE:
1	--	--	3	--	--
2	--	--	4	--	--

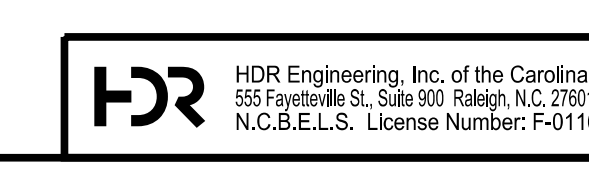
SHEET NO. S04-144
 TOTAL SHEETS 144



10/15/2021

PLOT DRIVER: NCDOT.pdf_color_eng-50.ppt
 USER: PPRET050
 DATE: 10/14/2021
 TIME: 4:14:43 PM
 FILE: ...NBRIDGE

DES BY: L. ZAMPETTI	DATE: 07/19	DWG BY: M. SELLS	DATE: 07/19
DES CHK: J. ROBERTS	DATE: 07/19	CHK BY: S. NIFONG	DATE: 11/19



DOCUMENT NOT CONSIDERED FINAL
 UNLESS ALL SIGNATURES COMPLETED