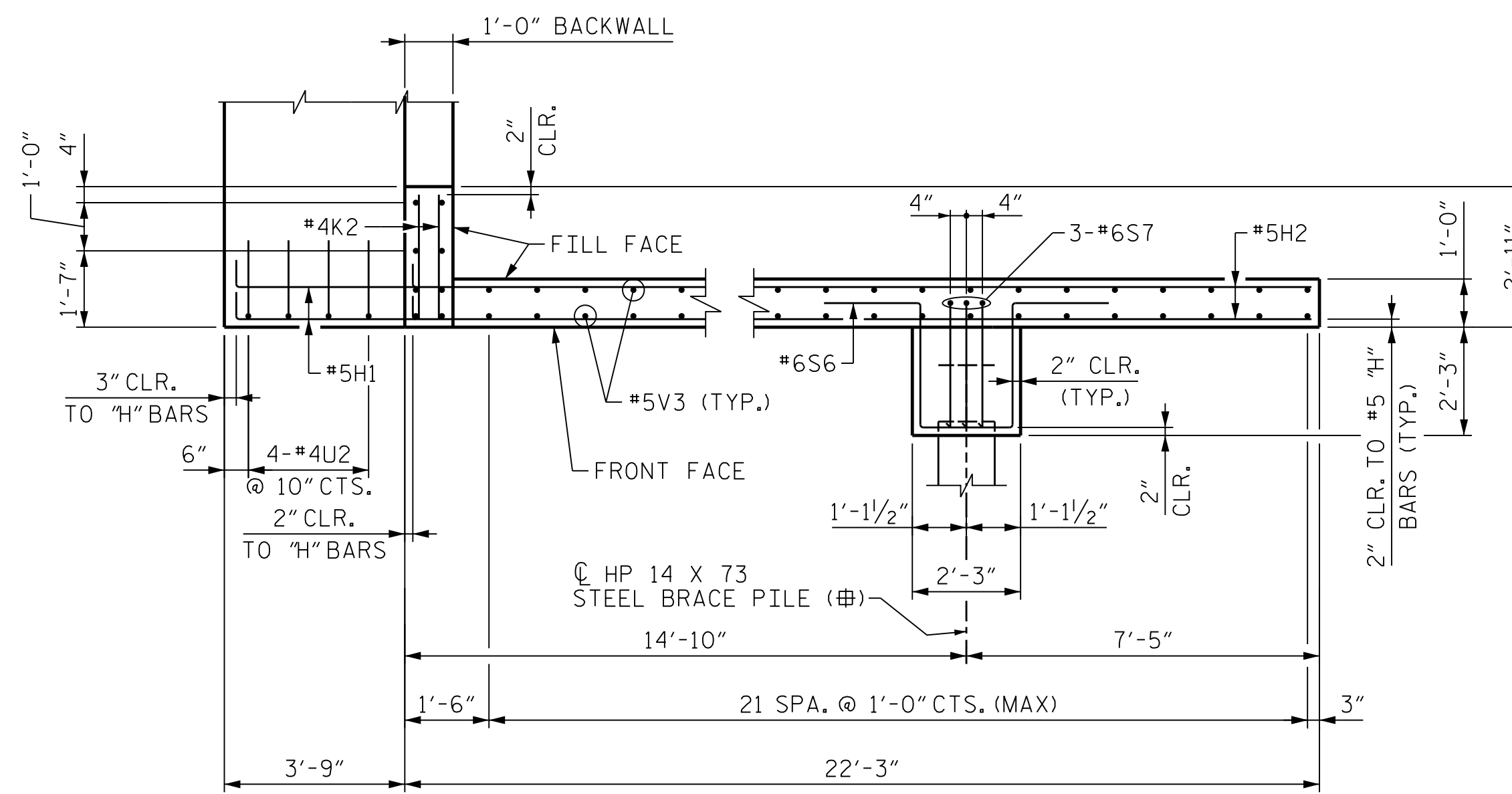
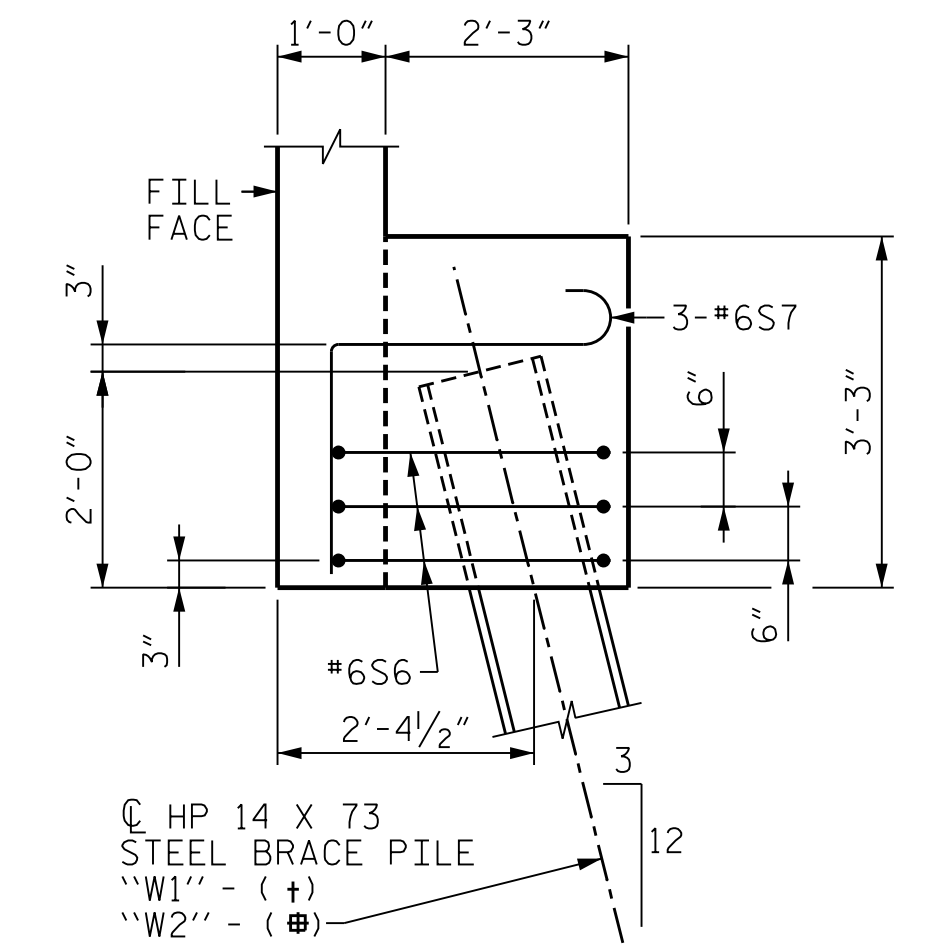


PLAN - WINGWALL "W1"

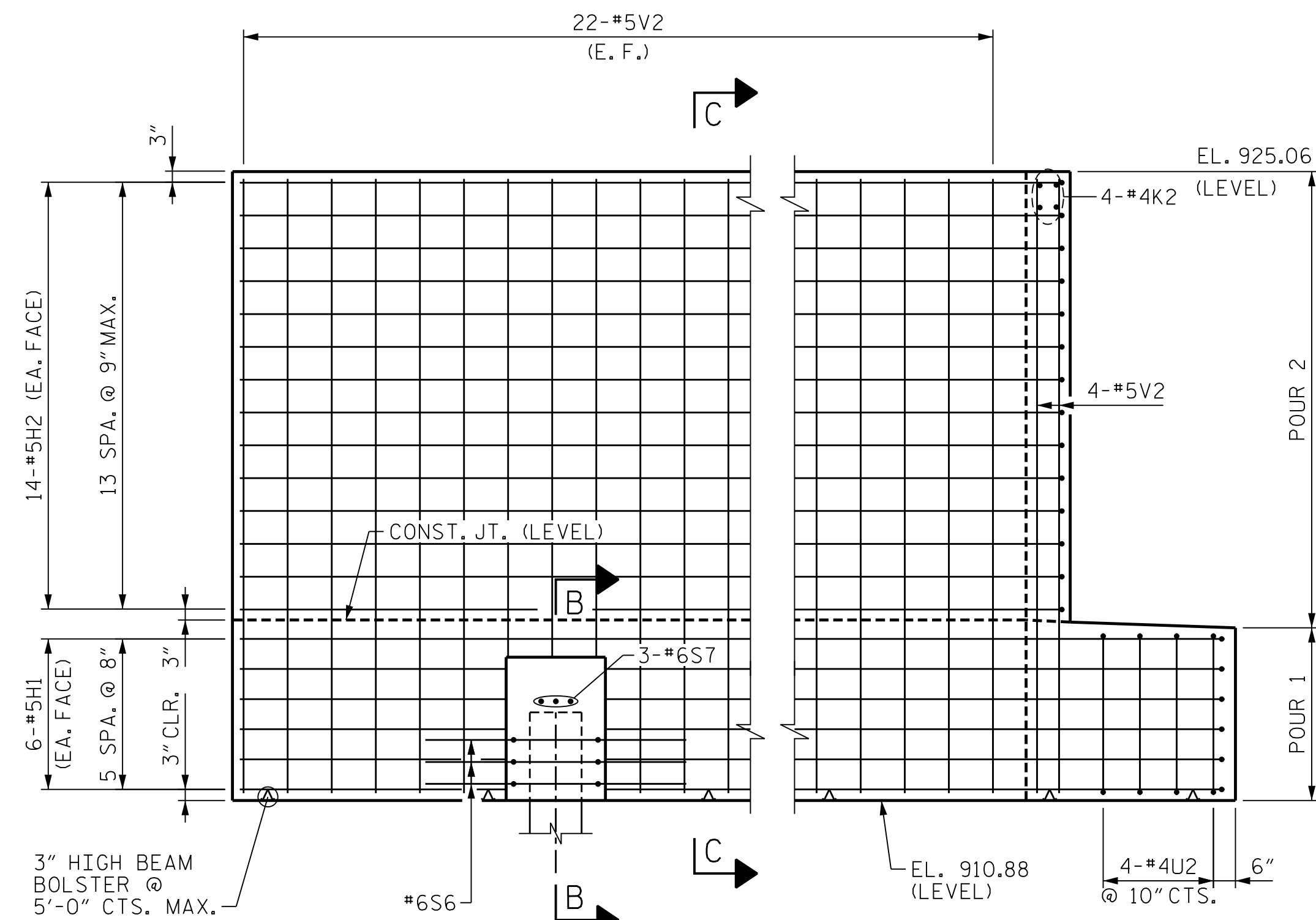


PLAN - WINGWALL "W2"

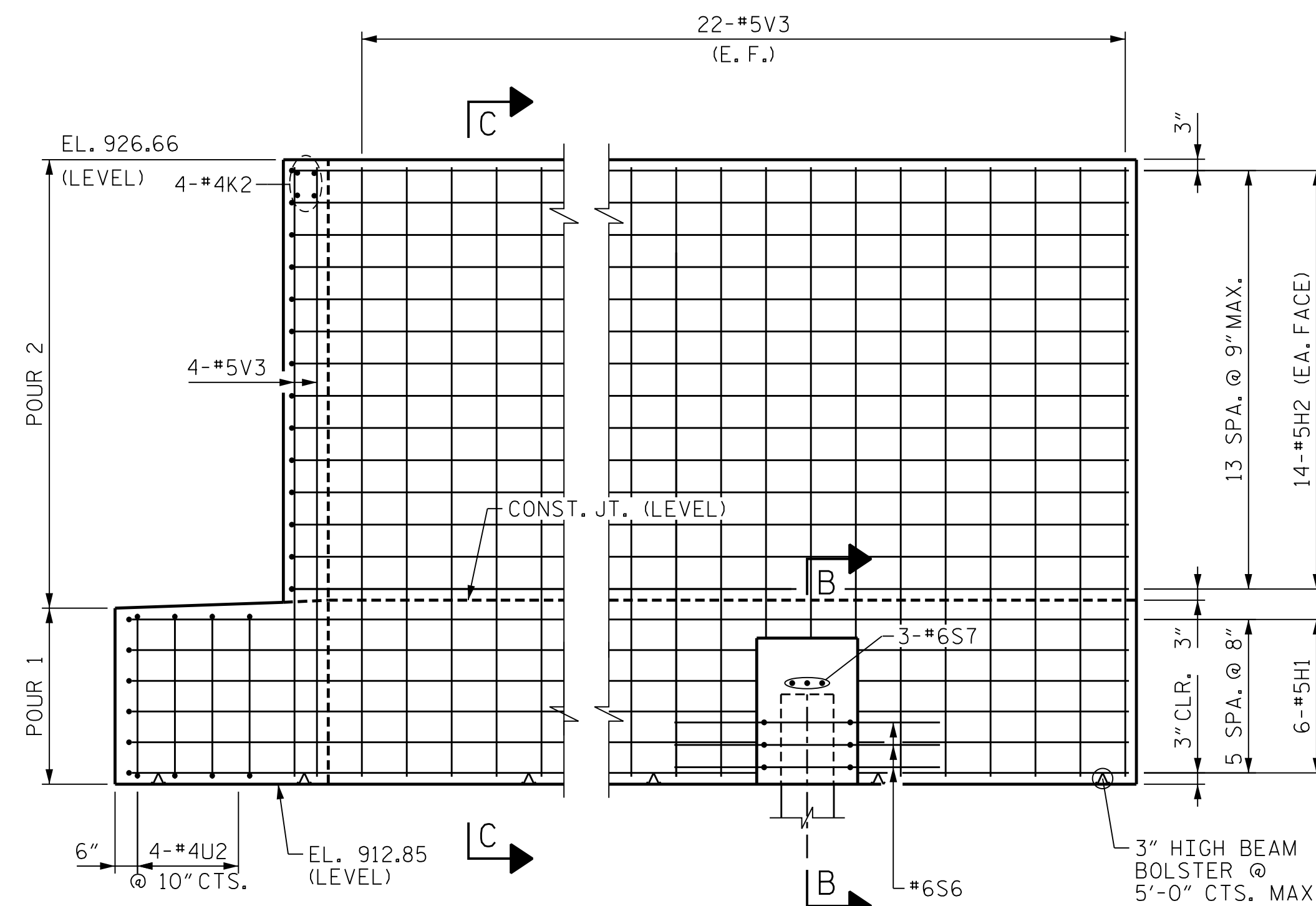


SECTION B-B

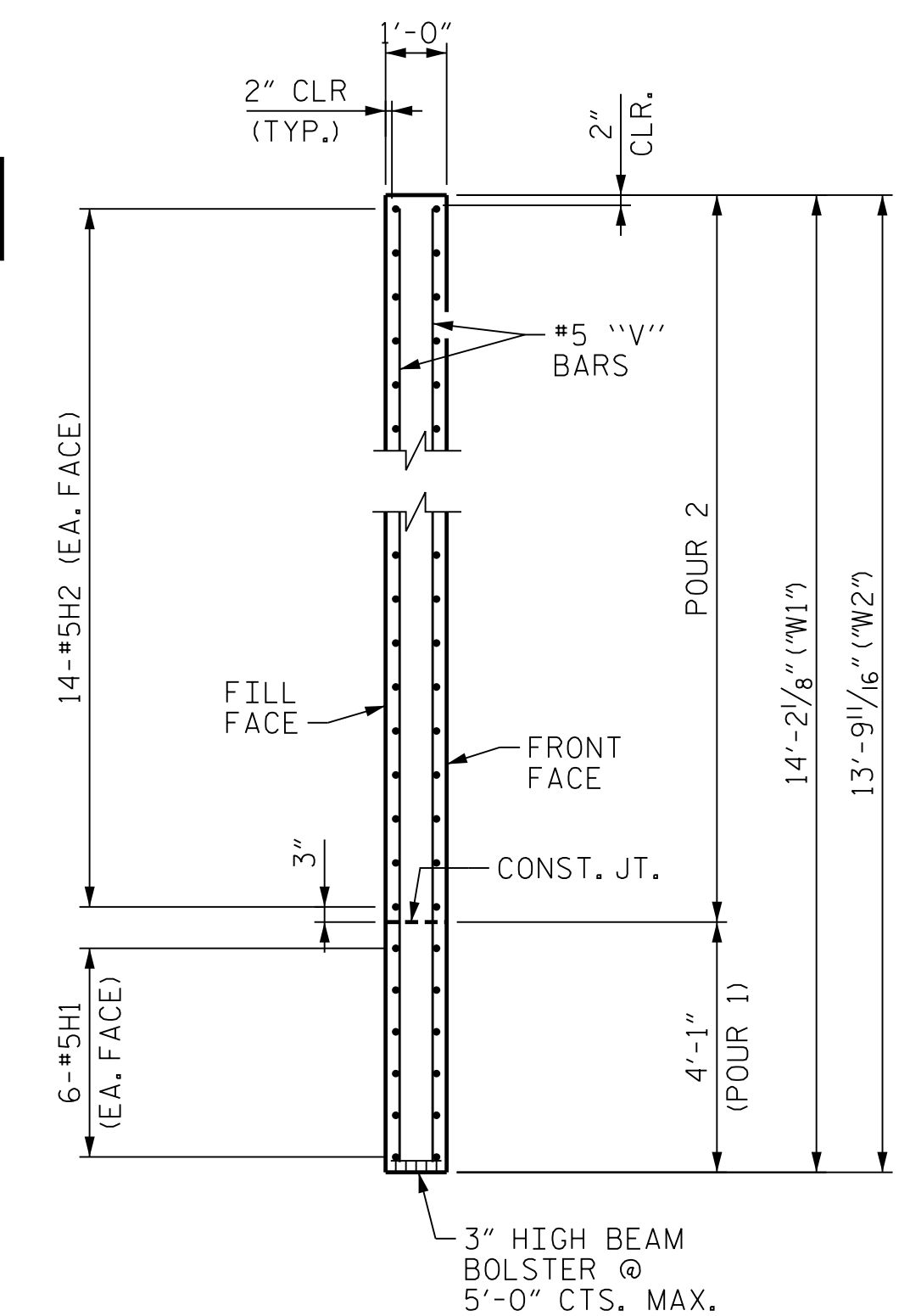
† = PILE CUTOFF ELEVATION 912.88
 # = PILE CUTOFF ELEVATION 914.85



ELEVATION - WINGWALL "W1"



ELEVATION - WINGWALL "W2"



SECTION C-C

PROJECT NO. U-2579AB
 FORSYTH COUNTY
 STATION: 60+66.06 -Y15FLYAC-

SHEET 2 OF 3

STATE OF NORTH CAROLINA
 DEPARTMENT OF TRANSPORTATION
 RALEIGH

SUBSTRUCTURE
 END BENT 2
 WING DETAILS



10/15/2021

REVISIONS

NO.	BY:	DATE:	NO.	BY:	DATE:
1	--	--	3	--	--
2	--	--	4	--	--

SHEET NO. S04-139
 TOTAL SHEETS 144



HDR Engineering, Inc. of the Carolinas
 555 Fayetteville St., Suite 900 Raleigh, N.C. 27601
 N.C.B.E.L.S. License Number: F-0116

DOCUMENT NOT CONSIDERED FINAL
 UNLESS ALL SIGNATURES COMPLETED

PLOT DRIVER: NCDOT...
 USER: PETERSON...
 DATE: 10/14/2021

DES BY: J. EARNEST DATE: 07/19
 DES CHK: M. BARNES DATE: 08/19
 DWG BY: B. PETERSON DATE: 07/19
 CHK BY: A. ZEITOUNI DATE: 08/19