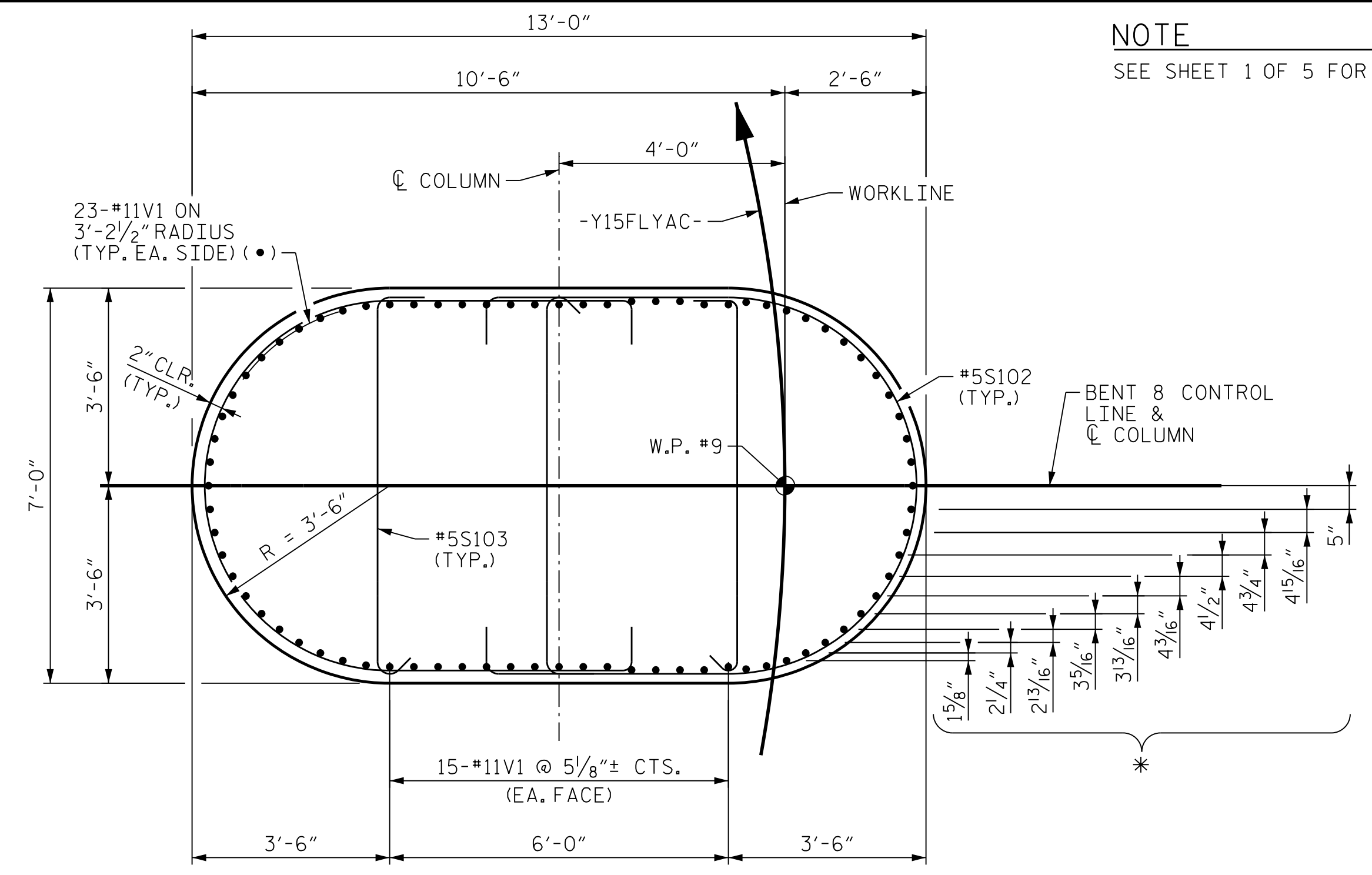
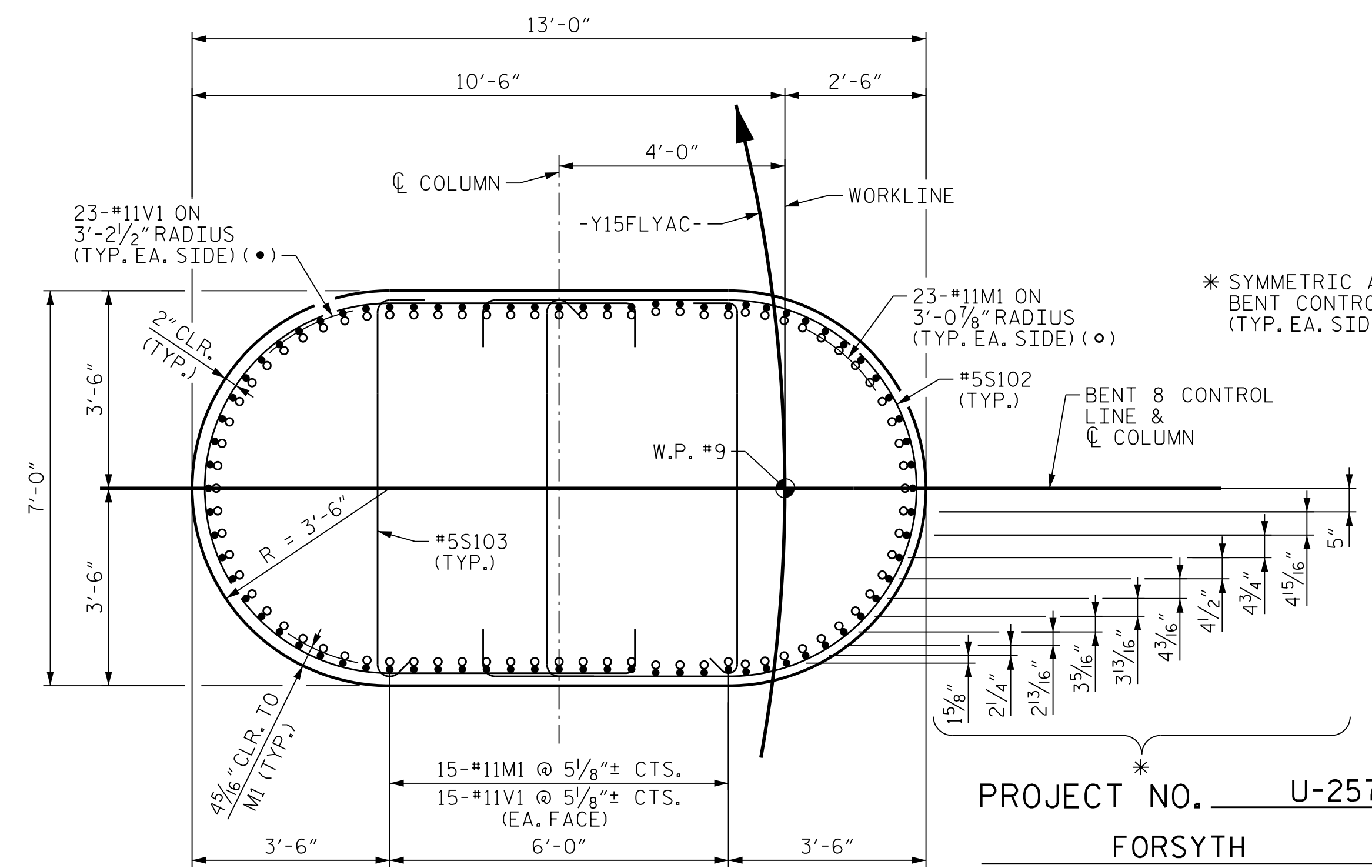


FOOTING PLAN



SECTION B-B



SECTION A-A

NOTE  
SEE SHEET 1 OF 5 FOR NOTES.

PROJECT NO. U-2579AB  
 FORSYTH COUNTY  
 STATION: 60+66.06 -Y15FLYAC-

SHEET 2 OF 5

STATE OF NORTH CAROLINA  
 DEPARTMENT OF TRANSPORTATION  
 RALEIGH

SUBSTRUCTURE  
 BENT 8  
 FOOTING & COLUMN  
 DETAILS



10/15/2021

DES BY: J. CABABE	DATE: 10/19	DWG BY: B. PETERSON	DATE: 10/19
DES CHK: S. CHAUDHARI	DATE: 10/19	CHK BY: N. LIU	DATE: 11/19



DOCUMENT NOT CONSIDERED FINAL  
 UNLESS ALL SIGNATURES COMPLETED

REVISIONS						SHEET NO. S04-129
NO.	BY:	DATE:	NO.	BY:	DATE:	
1	--	--	3	--	--	TOTAL SHEETS 144
2	--	--	4	--	--	

PLOT DRIVER: NCDOT\_pdf\_color\_eng-50dpi  
 USER: PPETERSO DATE: 10/14/2021  
 FILE: ...SUBSTR