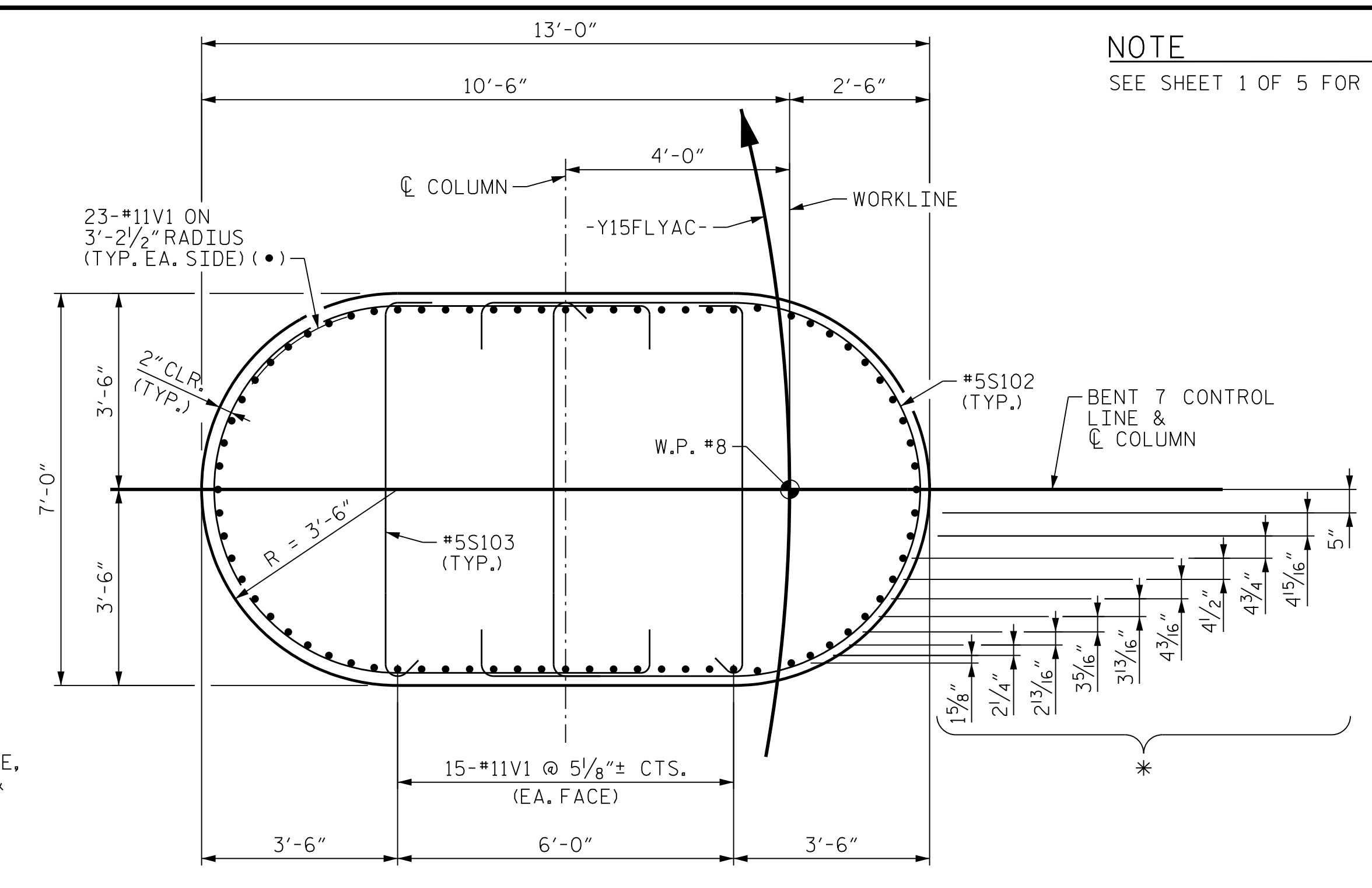
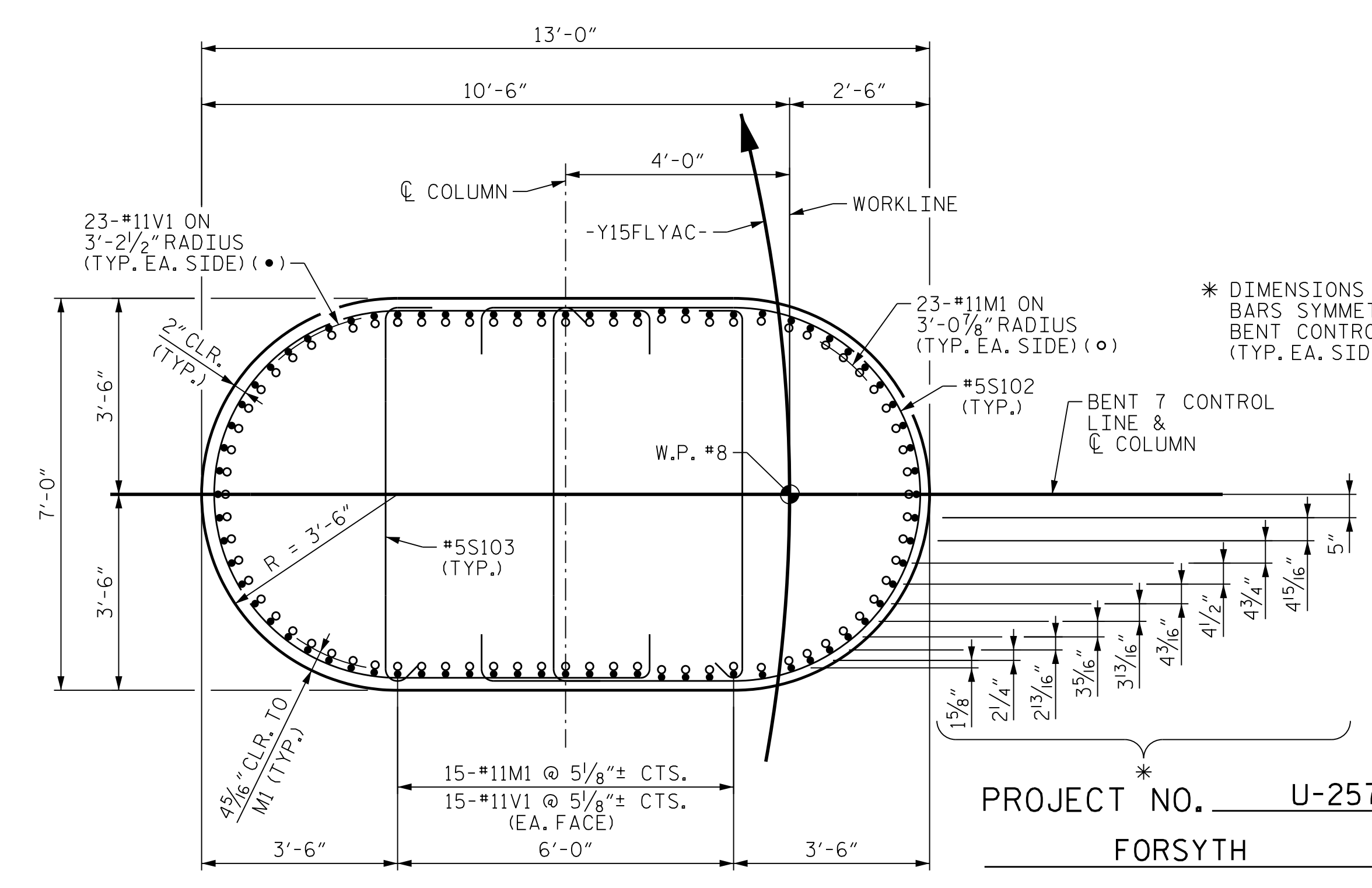


**FOOTING PLAN**



**SECTION B-B**



**SECTION A-A**

**NOTE**  
SEE SHEET 1 OF 5 FOR NOTES.

PROJECT NO. U-2579AB  
 FORSYTH COUNTY  
 STATION: 60+66.06 -Y15FLYAC-

SHEET 2 OF 5

STATE OF NORTH CAROLINA  
 DEPARTMENT OF TRANSPORTATION  
 RALEIGH

**SUBSTRUCTURE  
 BENT 7  
 FOOTING & COLUMN  
 DETAILS**



10/15/2021

DES BY: J. CABABE	DATE: 10/19	DWG BY: B. PETERSON	DATE: 10/19
DES CHK: S. CHAUDHARI	DATE: 10/19	CHK BY: N. LIU	DATE: 11/19



DOCUMENT NOT CONSIDERED FINAL  
 UNLESS ALL SIGNATURES COMPLETED

REVISIONS					
NO.	BY:	DATE:	NO.	BY:	DATE:
1	--	--	3	--	--
2	--	--	4	--	--

SHEET NO. 504-124
TOTAL SHEETS 144

PLOT DRIVER: NCDOT\_pdf\_color\_eng-50dpi  
 USER: PETERSON  
 DATE: 10/14/2021  
 FILE: ...SUBSTR