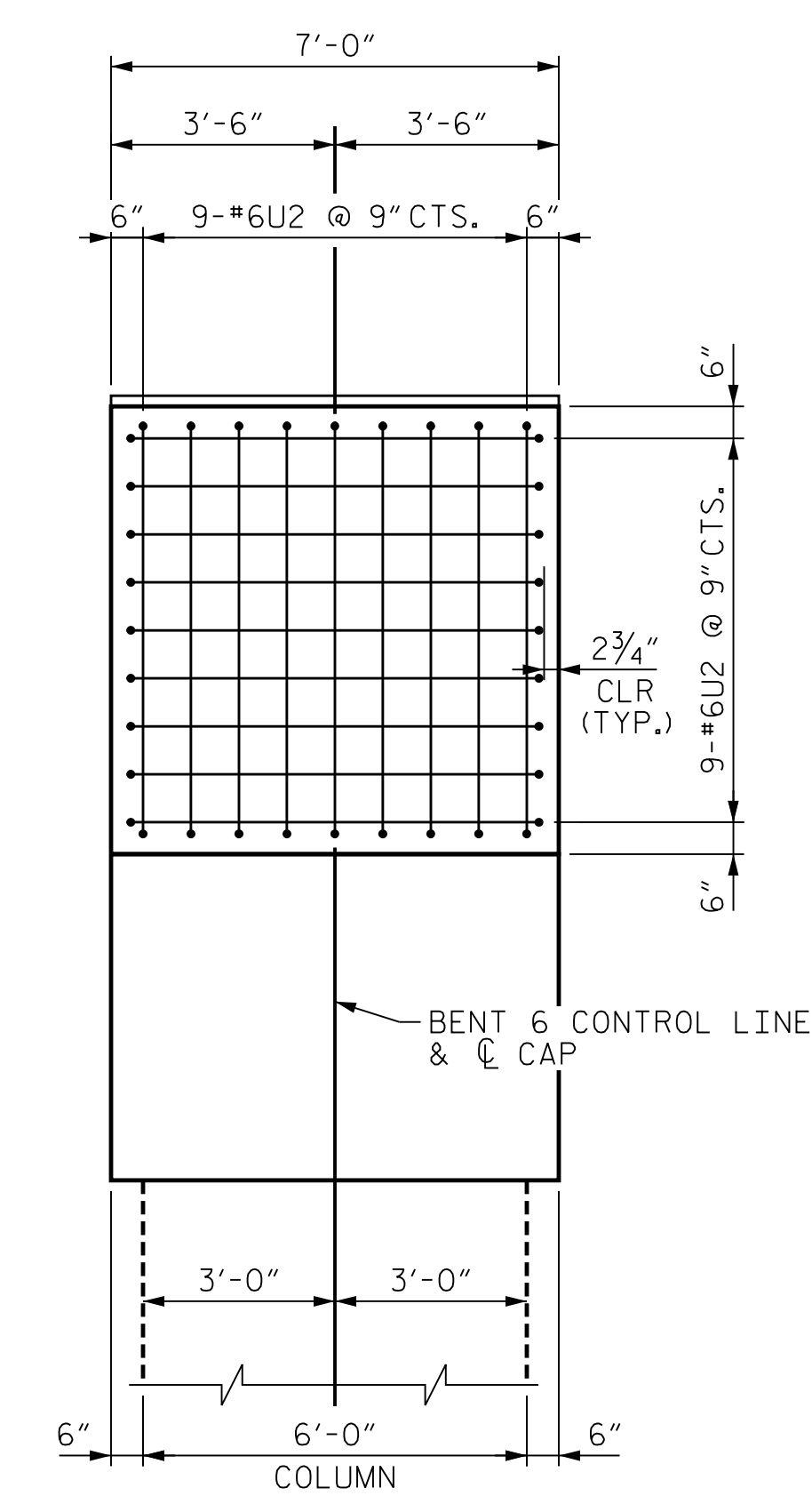
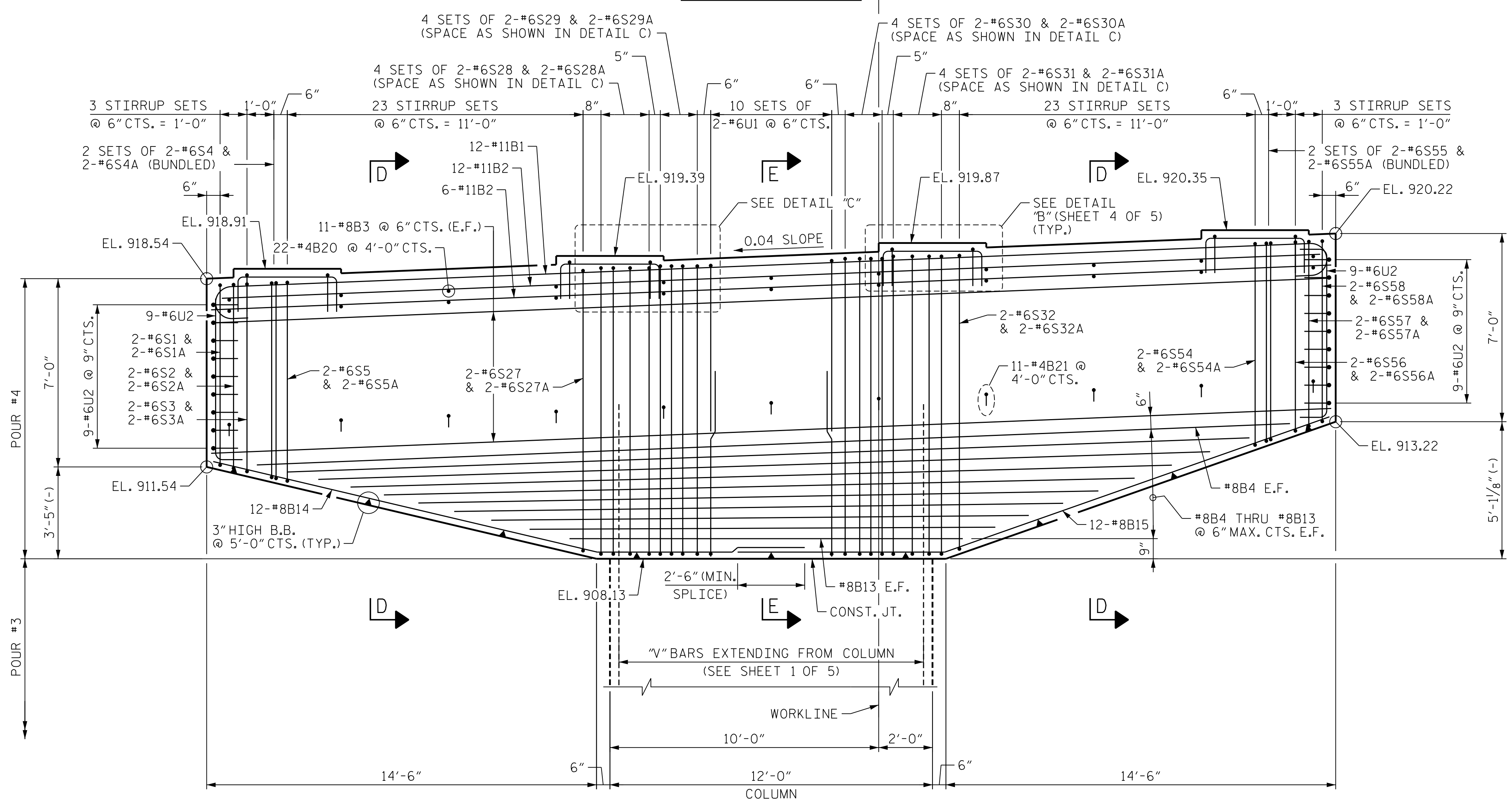
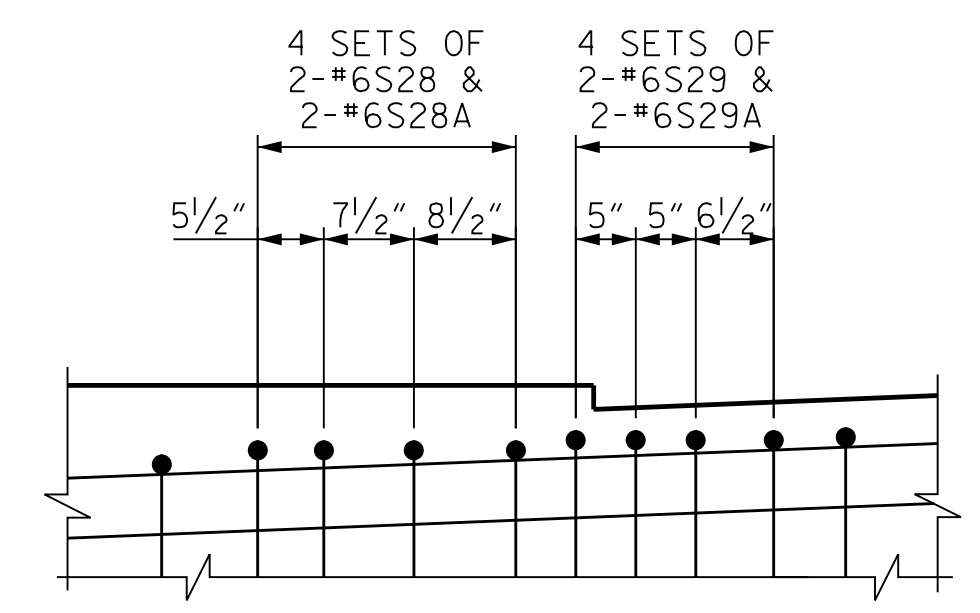
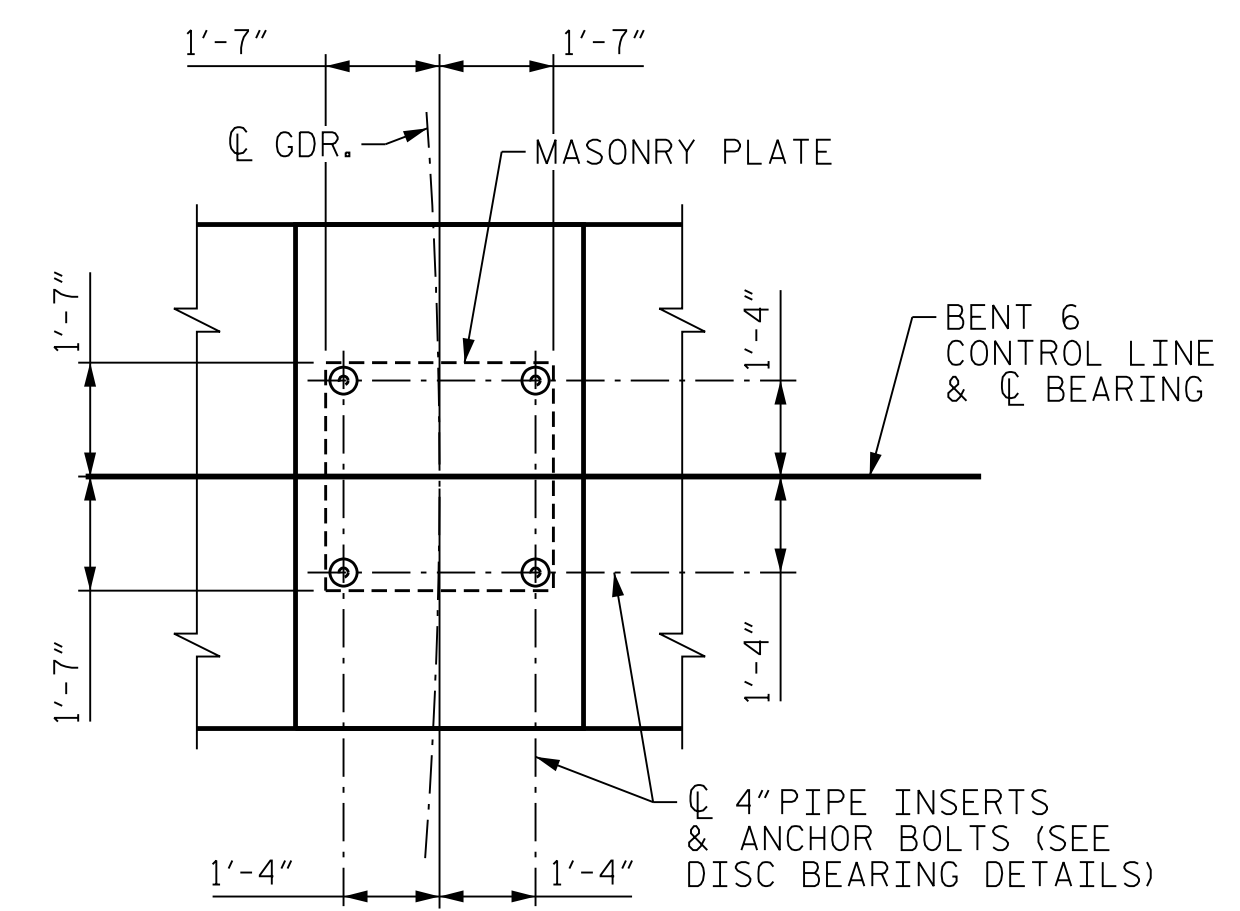


NOTES
 FOR SECTIONS D-D AND E-E, SEE "SUBSTRUCTURE BENT 6 BENT CAP DETAILS", SHEET 4 OF 5.
 FOR ADDITIONAL NOTES, SEE SHEET 1 OF 5.



PROJECT NO. U-2579AB
 FORSYTH COUNTY
 STATION: 60+66.06 -Y15FLYAC-
 SHEET 3 OF 5



STATE OF NORTH CAROLINA
 DEPARTMENT OF TRANSPORTATION
 RALEIGH

SUBSTRUCTURE BENT 6 BENT CAP PLAN AND ELEVATION

REVISIONS						SHEET NO. S04-120	
NO.	BY:	DATE:	NO.	BY:	DATE:	TOTAL SHEETS 144	
1	--	--	3	--	--		
2	--	--	4	--	--		

PLOT DRIVER: NCDOT.pdf_color_eng-50dpi
 USER: PPETERSO
 DATE: 10/14/2021
 TIME: 4:10:03 PM
 FILE: ...SUBSTR

DES BY: <u>K. OLIVER</u>	DATE: <u>10/19</u>	DWG BY: <u>B. PETERSON</u>	DATE: <u>10/19</u>
DES CHK: <u>M. WERNER</u>	DATE: <u>10/19</u>	CHK BY: <u>K. OLIVER</u>	DATE: <u>11/19</u>



10/15/2021
 DOCUMENT NOT CONSIDERED FINAL
 UNLESS ALL SIGNATURES COMPLETED