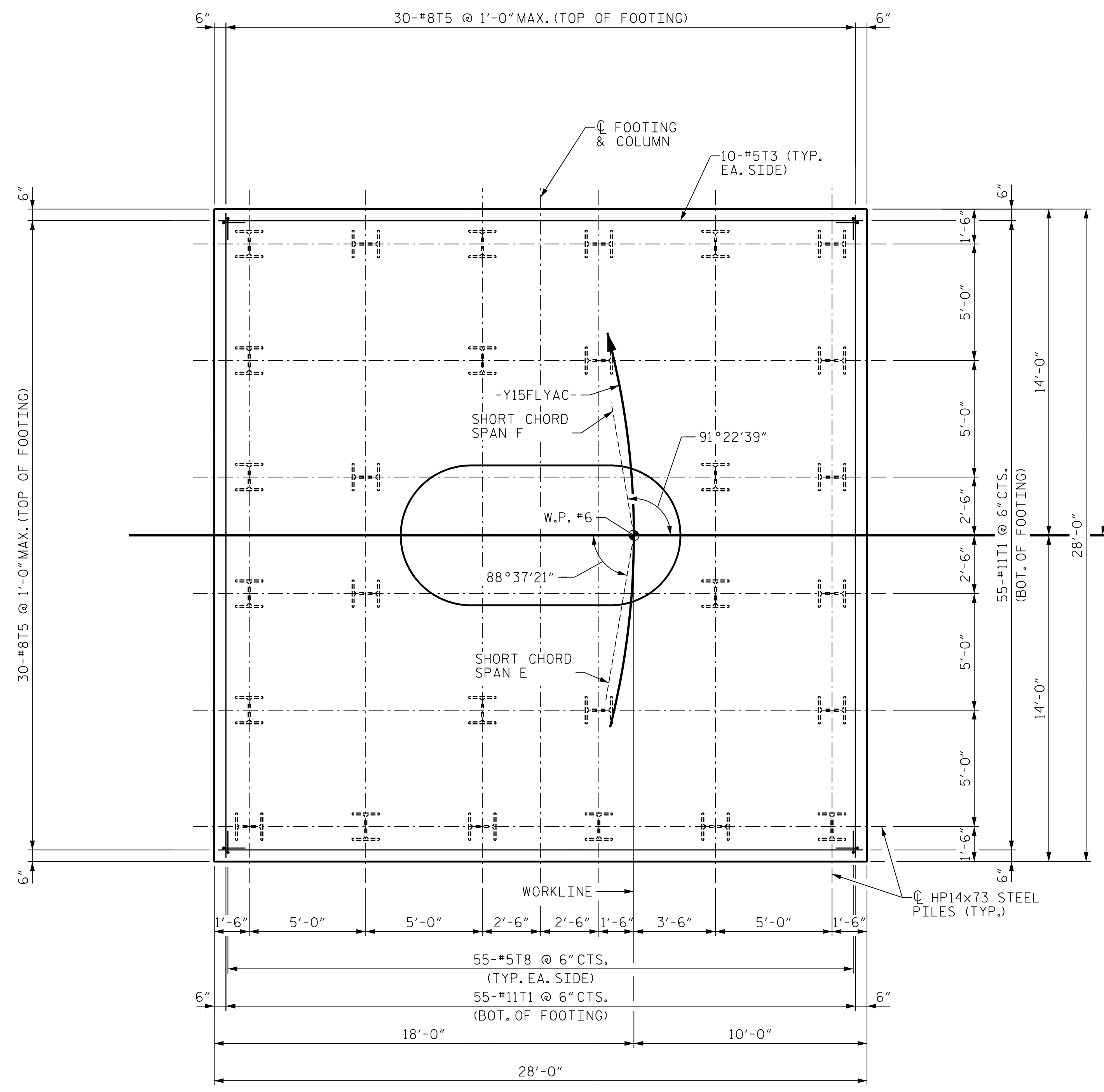
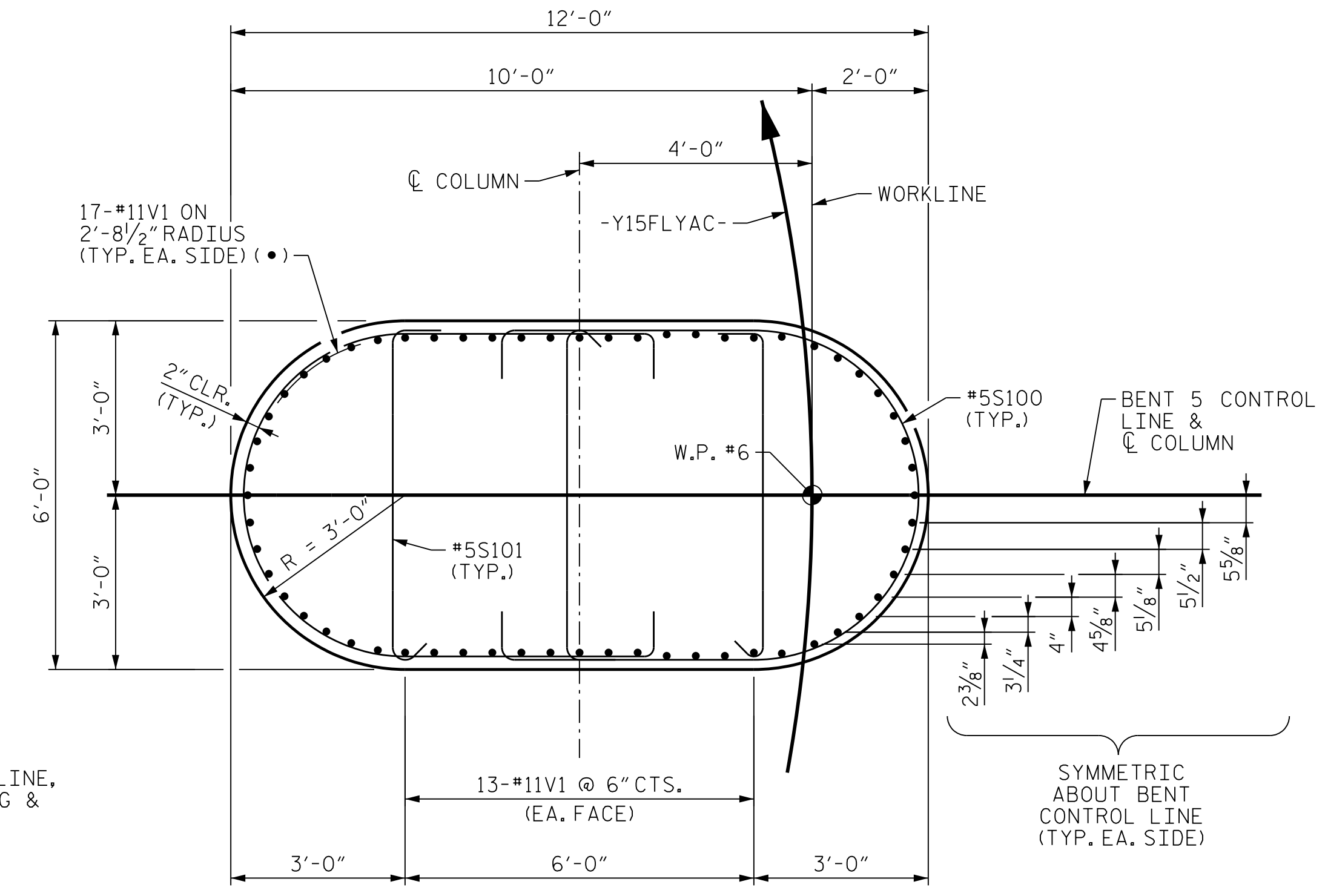


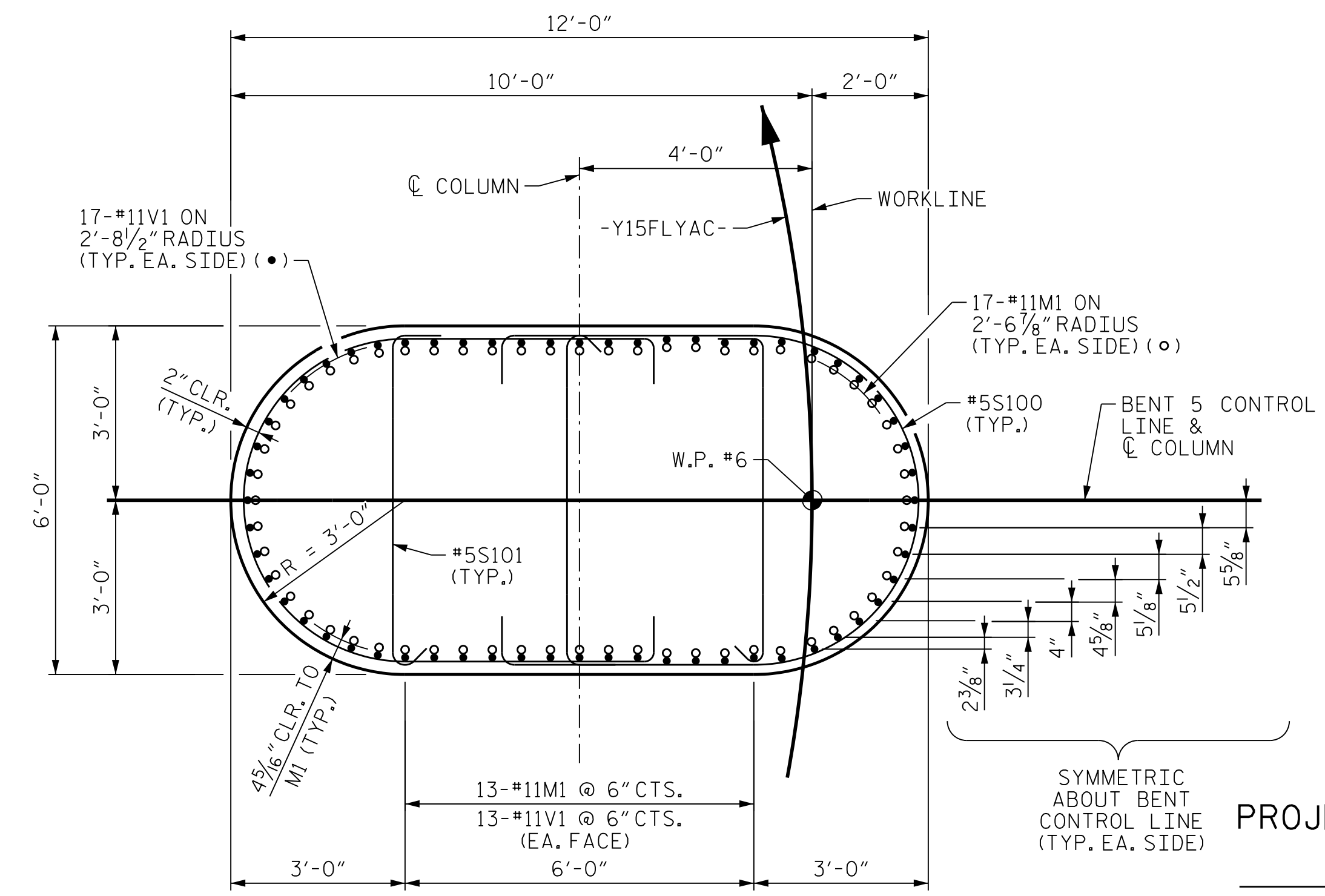
NOTE
SEE SHEET 1 OF 5 FOR NOTES.



FOOTING PLAN



SECTION B-B



SECTION A-A

PROJECT NO. U-2579AB
 FORSYTH COUNTY
 STATION: 60+66.06 -Y15FLYAC-

SHEET 2 OF 5

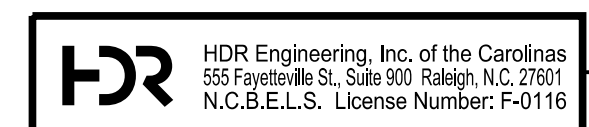
STATE OF NORTH CAROLINA
 DEPARTMENT OF TRANSPORTATION
 RALEIGH

**SUBSTRUCTURE
 BENT 5
 FOOTING & COLUMN
 DETAILS**



10/15/2021

| | | | |
|-----------------------|-------------|---------------------|-------------|
| DES BY: J. CABABE | DATE: 10/19 | DWG BY: B. PETERSON | DATE: 10/19 |
| DES CHK: S. CHAUDHARI | DATE: 10/19 | CHK BY: N. LIU | DATE: 11/19 |



DOCUMENT NOT CONSIDERED FINAL
 UNLESS ALL SIGNATURES COMPLETED

| REVISIONS | | | | | | SHEET NO. 504-114 TOTAL SHEETS 144 |
|-----------|-----|-------|-----|-----|-------|---|
| NO. | BY: | DATE: | NO. | BY: | DATE: | |
| 1 | -- | -- | 3 | -- | -- | |
| 2 | -- | -- | 4 | -- | -- | |

PLOT DRIVER: NCDOT_pdot_color_eng-50dpi
 USER: PPETERSO DATE: 10/14/2021
 FILE: ...SUBSTR