

**NOTES**

FOR STRUCTURAL STEEL DETAILS OF INTEGRAL BENT CAP SEE, "SUPERSTRUCTURE GIRDER DETAILS UNIT 1" SHEET.

DETAILED DRAWINGS FOR FALSEWORK AND FORMS FOR THE INTEGRAL BENT SHALL BE SUBMITTED. SEE "SCHEMATIC SEQUENCE OF CONSTRUCTION AND NOTES INTEGRAL BENT 3" SHEET, "STANDARD NOTES" SHEET, AND POST-TENSIONING TENDON SPECIAL PROVISION.

FOR CAP AND SHEAR KEY REINFORCING, SEE SHEET 2 OF 3.

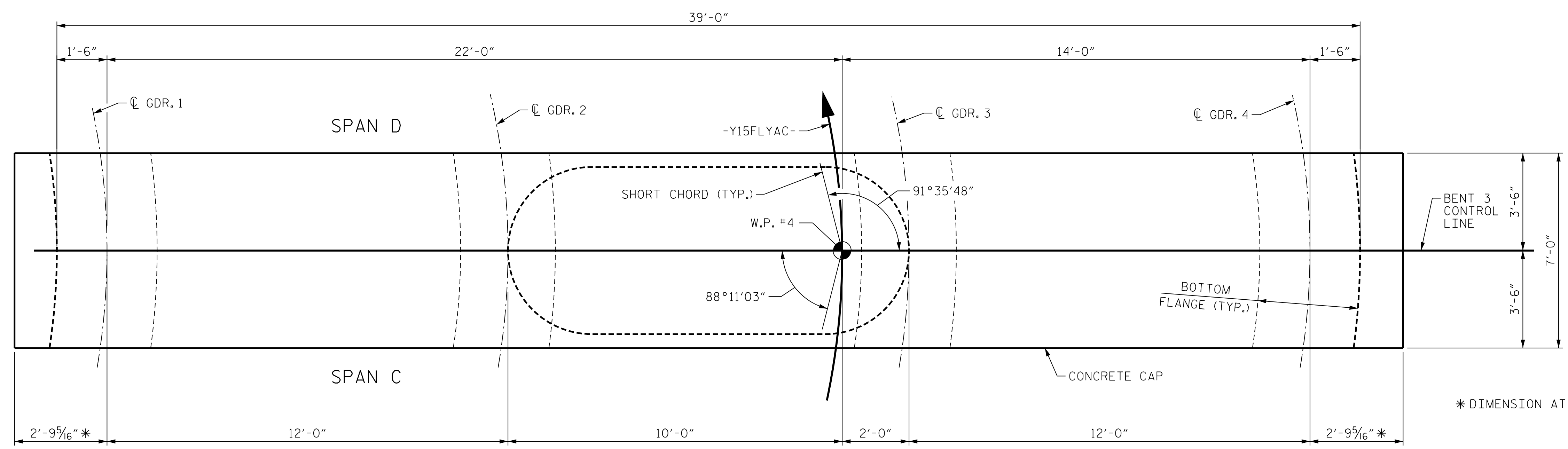
FOR SECTIONS A-A, B-B, C-C & D-D, SEE SHEET 3 OF 3.

FOR HINGE REINFORCING, SEE "SUBSTRUCTURE BENT 3 HINGE DETAILS" SHEET.

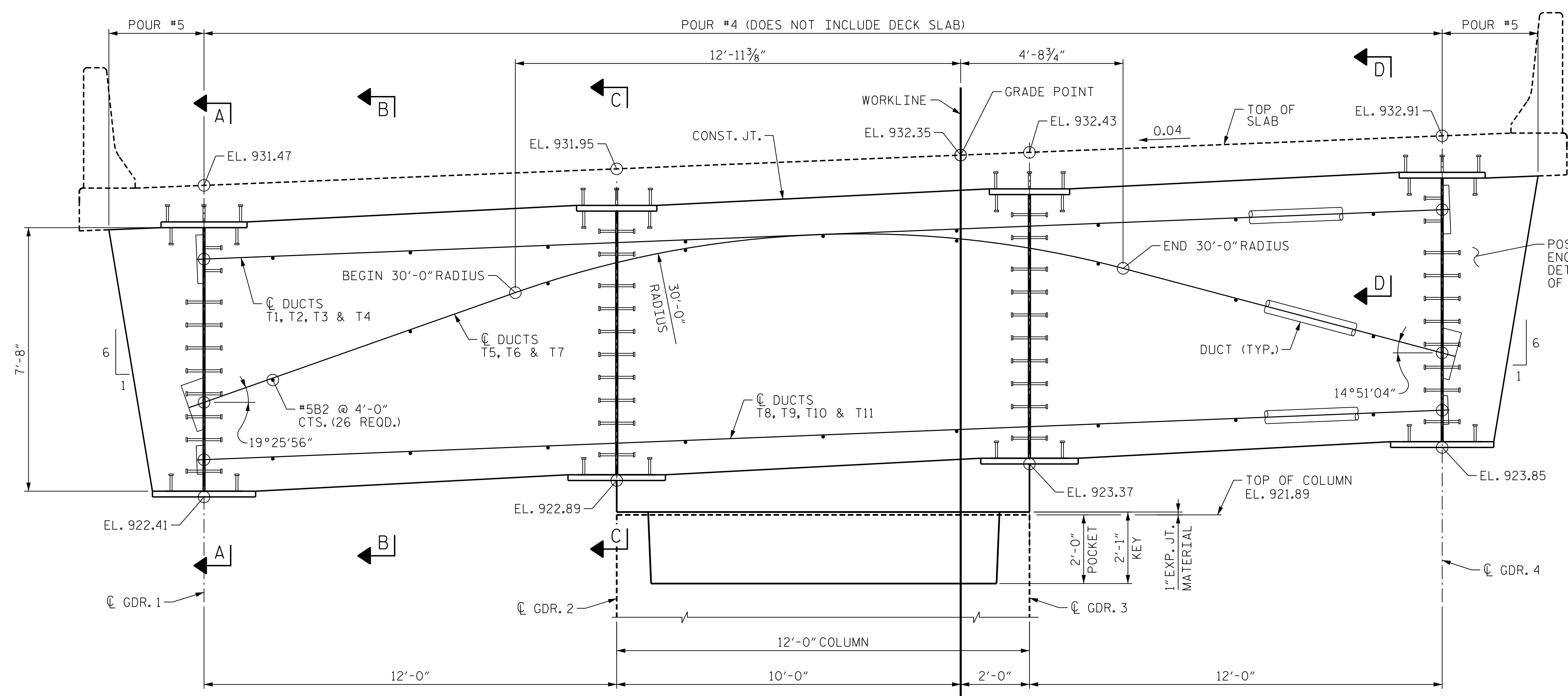
FOR PRESTRESS 6000 PSI CONCRETE, SEE SPECIAL PROVISIONS.

FOR PROTECTION OF END ANCHORAGES (POST-TENSIONING ENCASEMENT), SEE POST-TENSIONING TENDONS SPECIAL PROVISION.

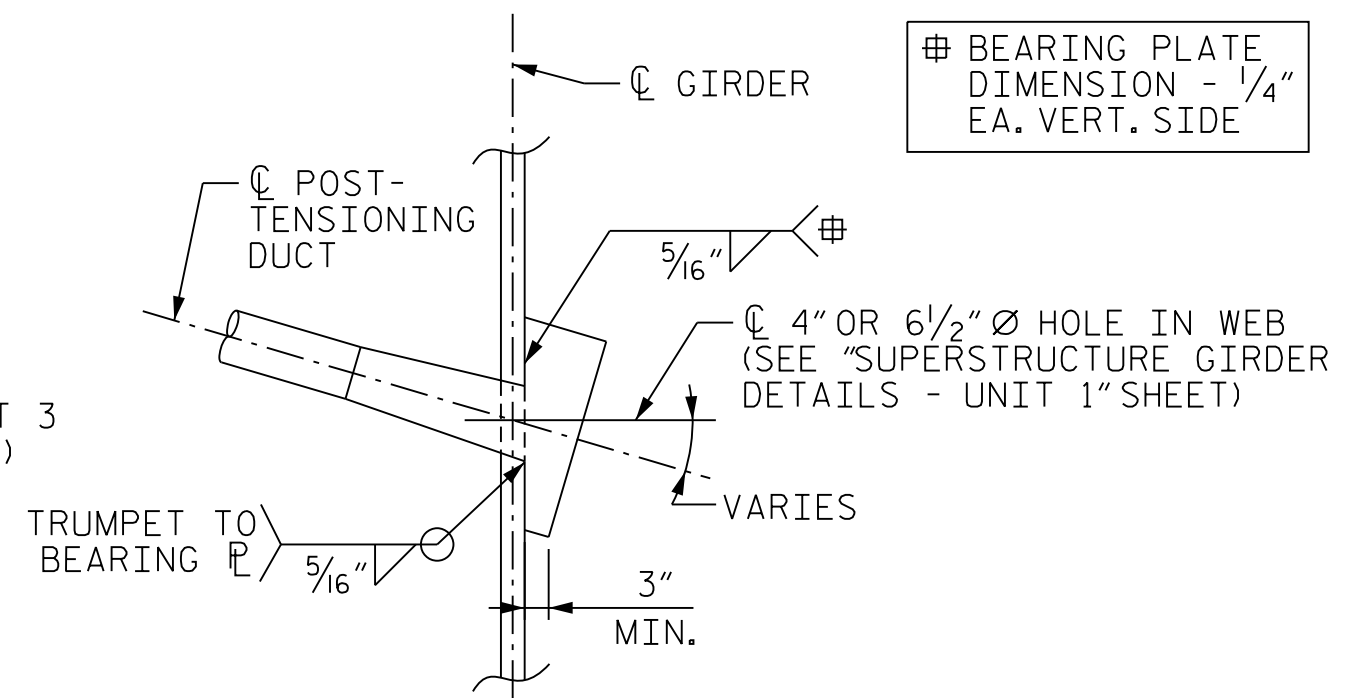
TOP OF SLAB ELEVATIONS SHOWN ARE ALONG THE BENT 3 CONTROL LINE.



**PLAN**  
(DECK SLAB NOT SHOWN FOR CLARITY)



**ELEVATION**  
(SHOWING POST-TENSIONING)



**SECTION AT BEARING PLATE**  
(GDR. 4 SHOWN, GDR. 1 SIMILAR)

PROJECT NO. U-2579AB

FORSYTH COUNTY

STATION: 60+66.06 -Y15FLYAC-

SHEET 1 OF 3



STATE OF NORTH CAROLINA  
DEPARTMENT OF TRANSPORTATION  
RALEIGH

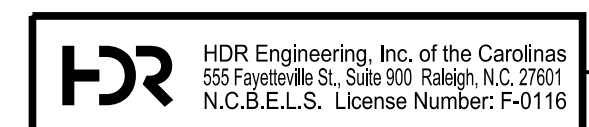
**SUBSTRUCTURE BENT 3 BENT CAP DETAILS**

REVISIONS					
NO.	BY:	DATE:	NO.	BY:	DATE:
1	--	--	3	--	--
2	--	--	4	--	--

SHEET NO. S04-105  
TOTAL SHEETS 144

PLOT DRIVER: NCDOT...  
USER: JPETERSO  
DATE: 10/14/2021  
FILE: ...SUBSTR

DES BY: S. JING	DATE: 10/19	DWG BY: B. PETERSON	DATE: 10/19
DES CHK: J. CABABE	DATE: 10/19	CHK BY: J. CABABE	DATE: 11/19



DOCUMENT NOT CONSIDERED FINAL UNLESS ALL SIGNATURES COMPLETED