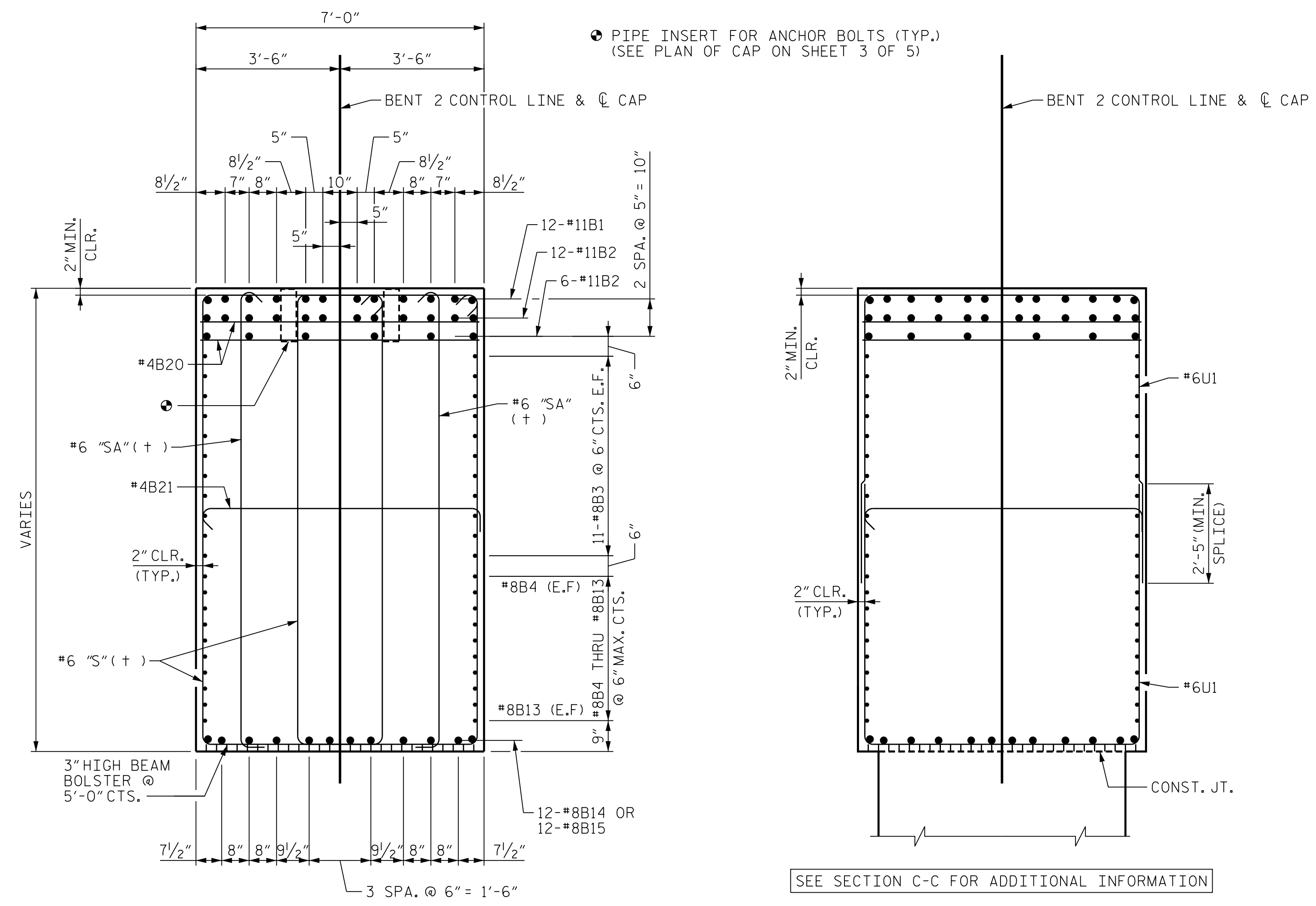
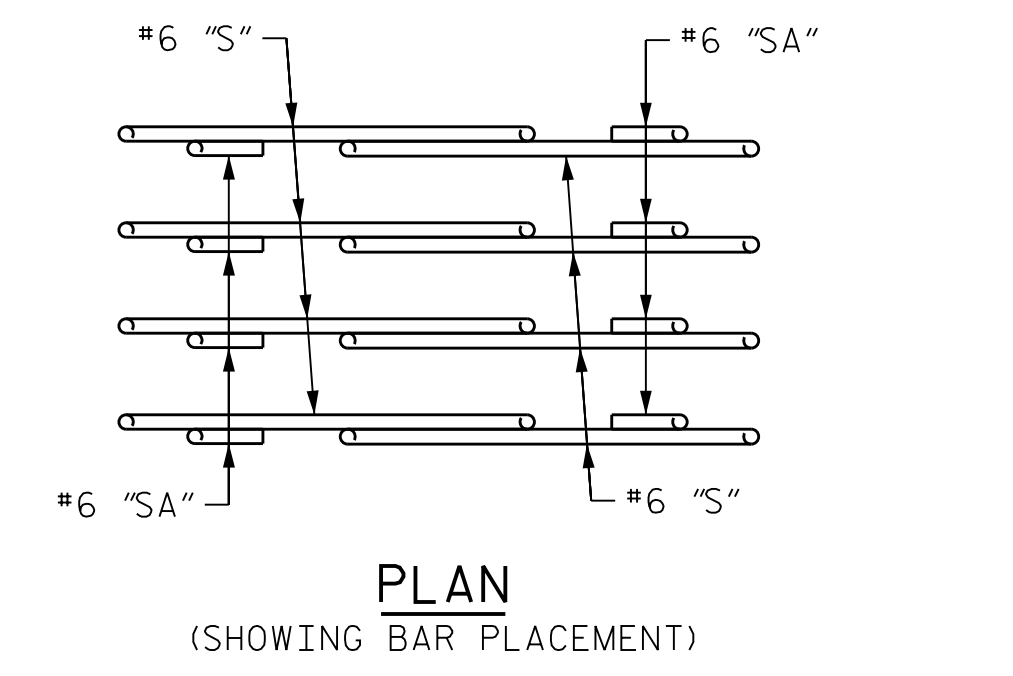


NOTE
SEE SHEET 1 OF 5 FOR NOTES.

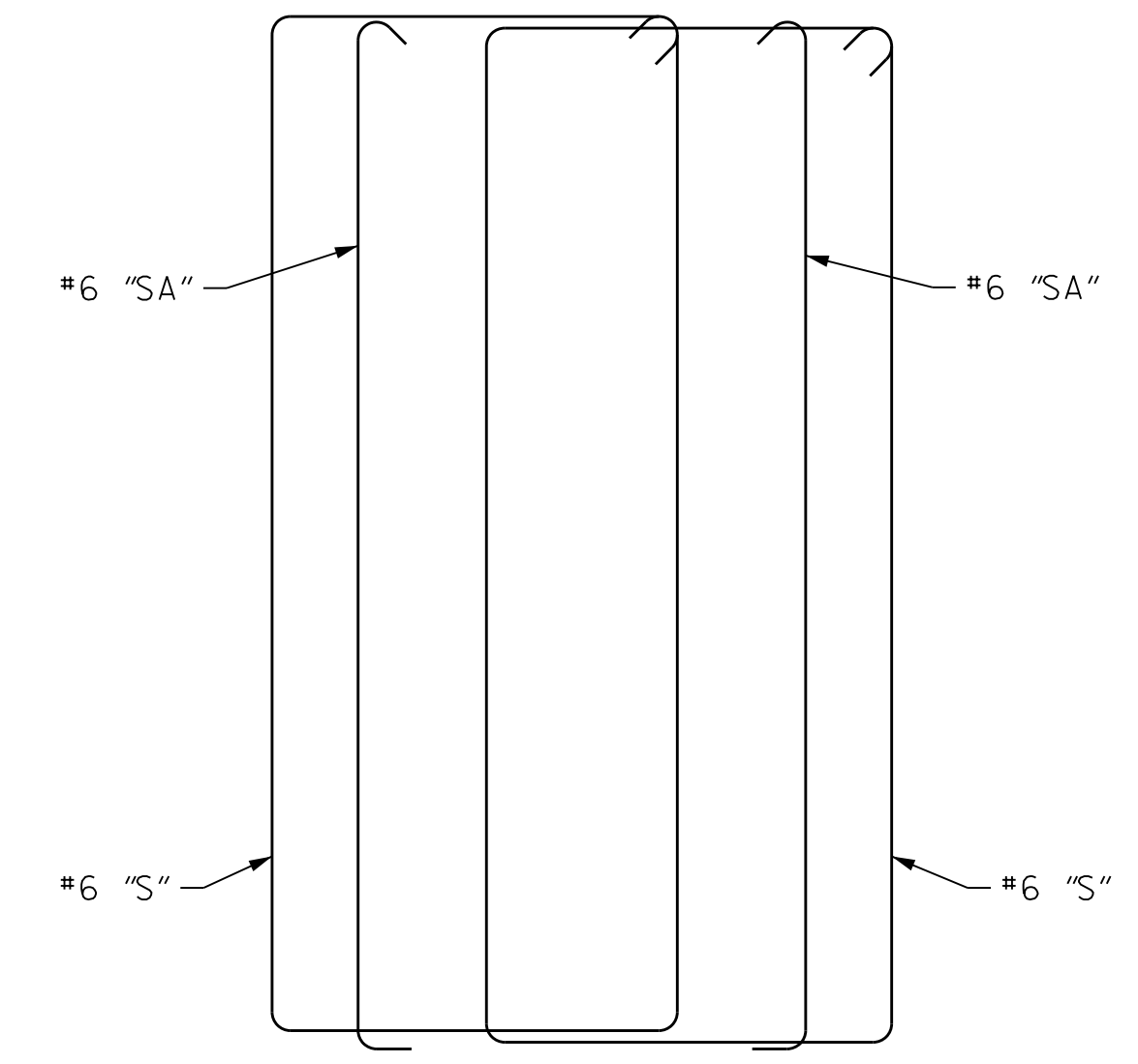


SECTION C-C
(+) SEE "STIRRUP SET DETAIL"

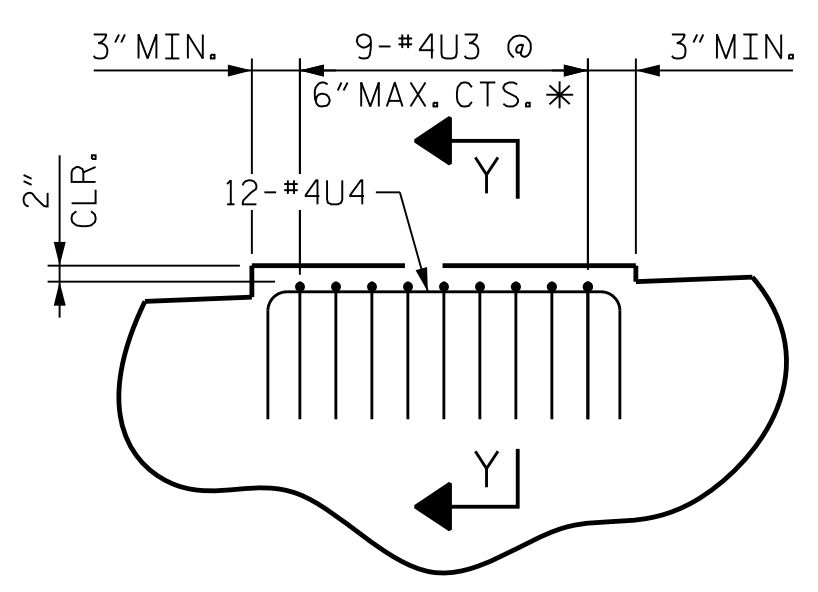
SECTION D-D
COLUMN REINFORCING STEEL NOT SHOWN FOR CLARITY



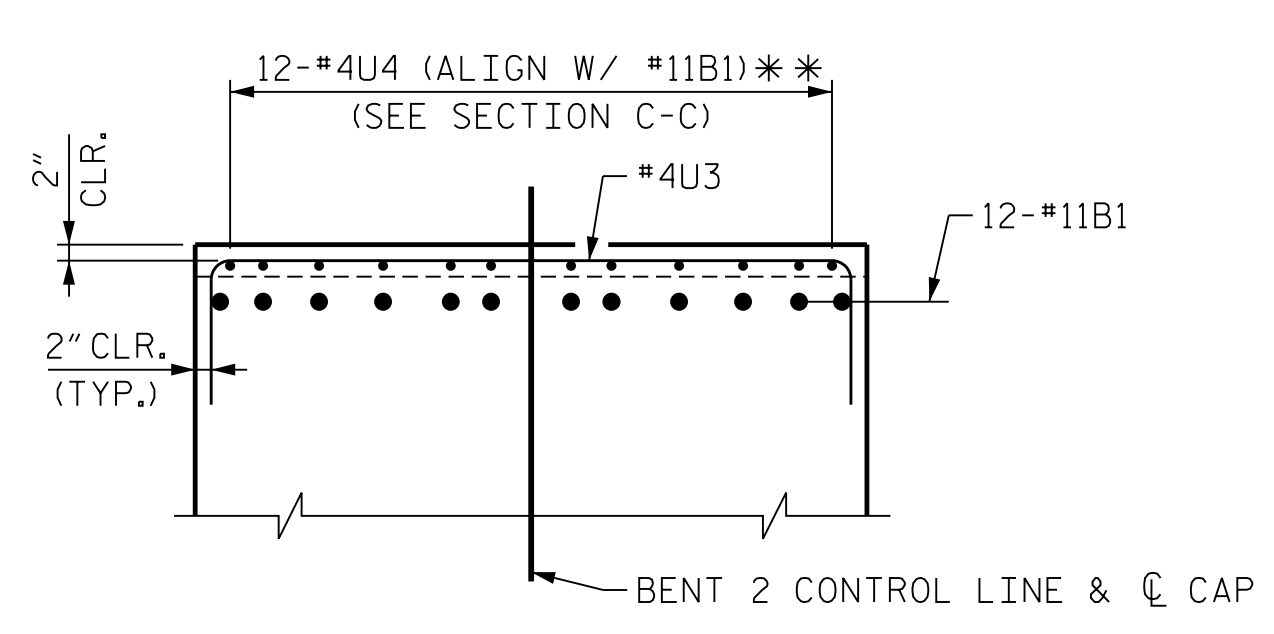
PLAN
(SHOWING BAR PLACEMENT)



ELEVATION
(SCHEMATIC)
STIRRUP SET DETAIL



DETAIL "B"



SECTION Y-Y

* NOTE:
#4U3 BARS MAY BE SHIFTED SLIGHTLY AS NECESSARY TO CLEAR PIPE INSERTS FOR ANCHOR BOLTS.
** NOTE:
#4U4 BARS MAY BE SHIFTED AS NECESSARY TO CLEAR #11B1 AND #11B2 BARS.

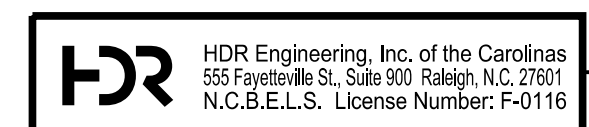
PROJECT NO. U-2579AB
FORSYTH COUNTY
STATION: 60+66.06 -Y15FLYAC-
SHEET 4 OF 5

STATE OF NORTH CAROLINA
DEPARTMENT OF TRANSPORTATION
RALEIGH

**SUBSTRUCTURE
BENT 2
BENT CAP DETAILS**



Domenic A. Coletti 10/15/2021



**DOCUMENT NOT CONSIDERED FINAL
UNLESS ALL SIGNATURES COMPLETED**

REVISIONS						SHEET NO. S04-098 TOTAL SHEETS 144
NO.	BY:	DATE:	NO.	BY:	DATE:	
1	--	--	3	--	--	
2	--	--	4	--	--	

DES BY: <u>K. OLIVER</u>	DATE: <u>10/19</u>	DWG BY: <u>B. PETERSON</u>	DATE: <u>10/19</u>
DES CHK: <u>M. WERNER</u>	DATE: <u>10/19</u>	CHK BY: <u>K. OLIVER</u>	DATE: <u>11/19</u>

PLOT DRIVER: NCDOT...
PENTABLE: NCDOT STRUCTURES DEFAULT PEN.tbl
USER: PPETERSO
DATE: 10/14/2021
TIME: 4:06:27 PM
FILE: ...SUBSTR