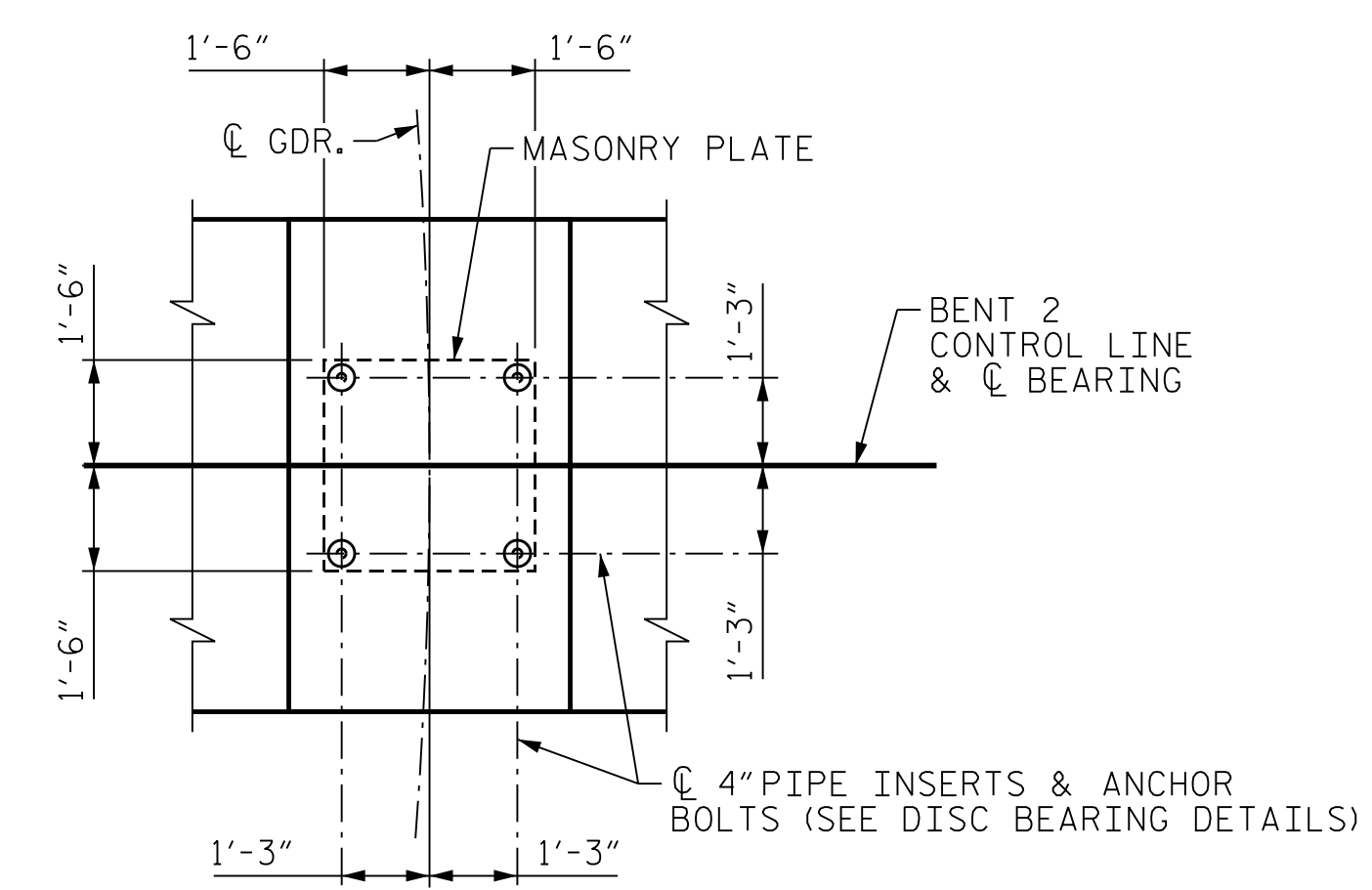
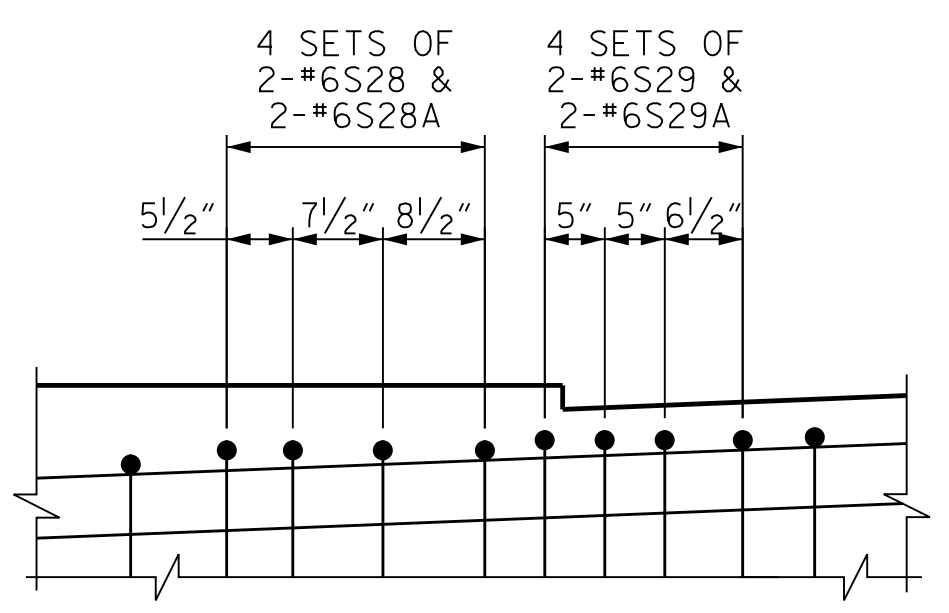


PLAN OF CAP

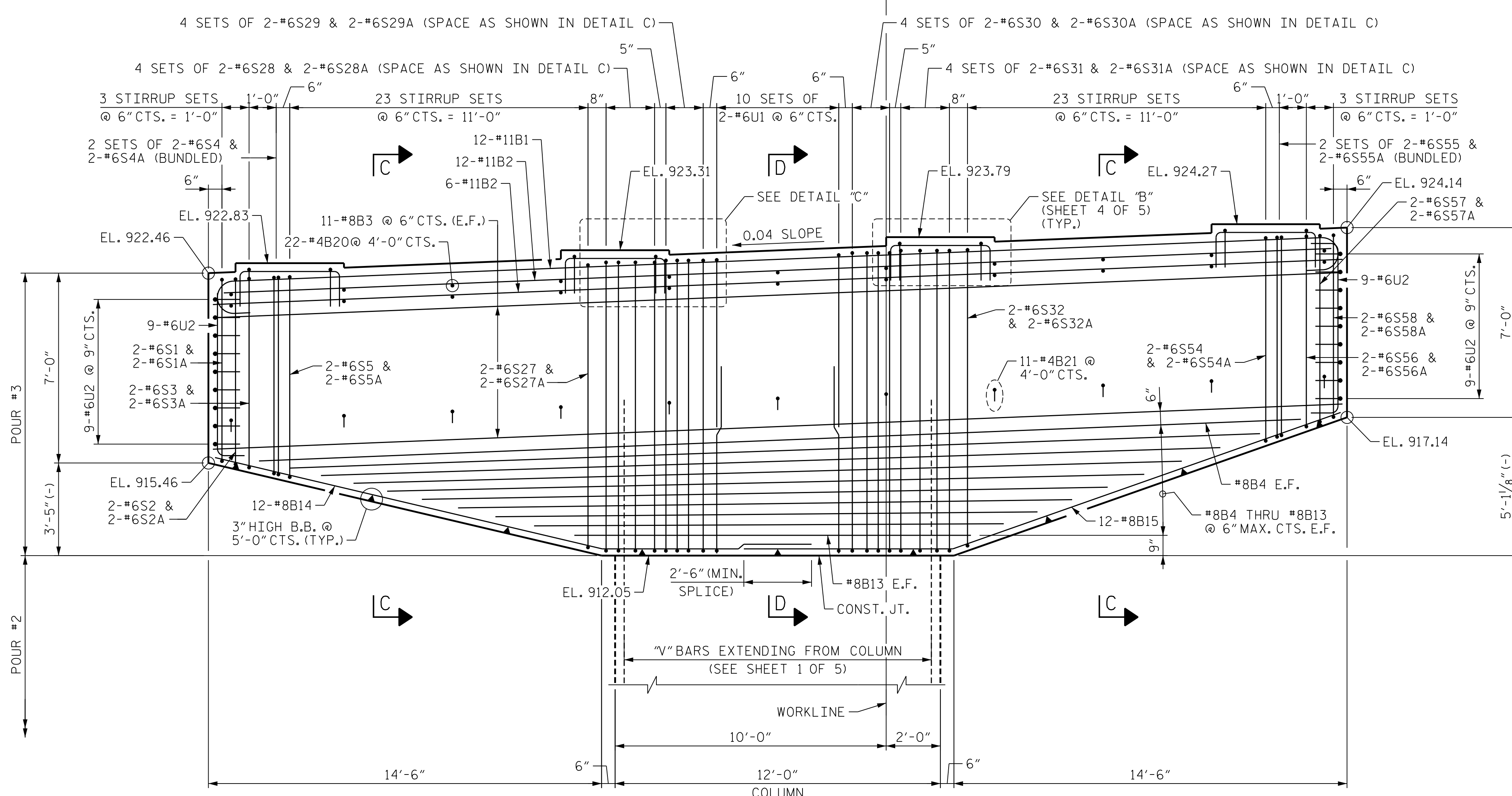


DETAIL "A"  
(TYP. @ EA. BEARING)

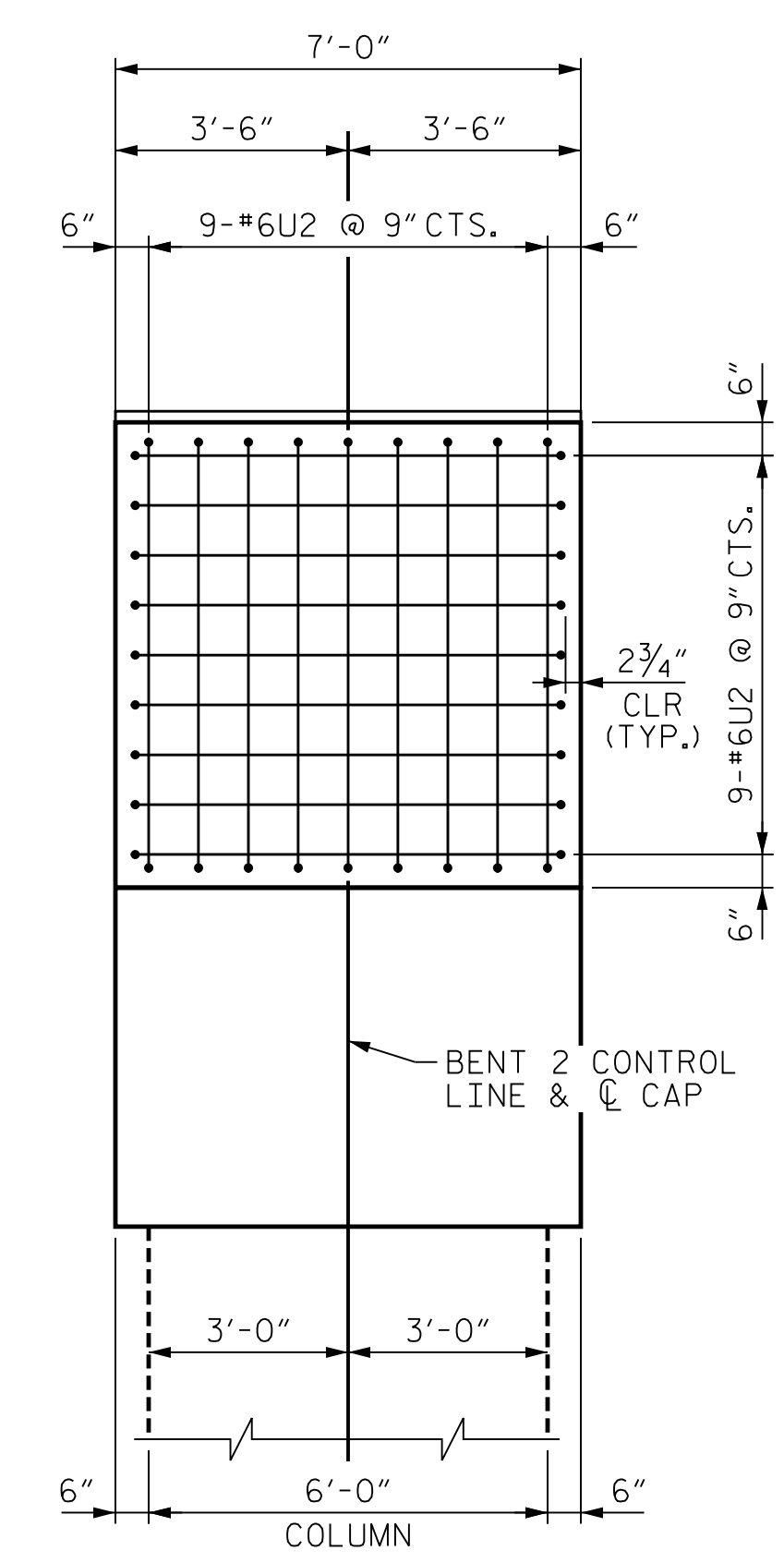


DETAIL "C"

DETAIL SHOWN AT LEFT SIDE OF CAP (SPACING OF STIRRUPS MIRRORED AT RIGHT SIDE OF CAP WITH BARS #6S30/#6S30A AND #6S31/#6S31A AS SHOWN ON THE ELEVATION)



ELEVATION OF CAP



END VIEW

NOTES  
FOR SECTIONS C-C AND D-D, SEE "SUBSTRUCTURE BENT 2 BENT CAP DETAILS", SHEET 4 OF 5.  
FOR ADDITIONAL NOTES, SEE SHEET 1 OF 5.

PROJECT NO. U-2579AB  
FORSYTH COUNTY  
STATION: 60+66.06 -Y15FLYAC-  
SHEET 3 OF 5

STATE OF NORTH CAROLINA  
DEPARTMENT OF TRANSPORTATION  
RALEIGH

SUBSTRUCTURE  
BENT 2  
BENT CAP PLAN  
& ELEVATION



10/15/2021

REVISIONS						SHEET NO. 504-097
NO.	BY:	DATE:	NO.	BY:	DATE:	
1	--	--	3	--	--	TOTAL SHEETS 144
2	--	--	4	--	--	

HDR  
HDR Engineering, Inc. of the Carolinas  
555 Fayetteville St., Suite 900 Raleigh, N.C. 27601  
N.C.B.E.L.S. License Number: F-0116

DOCUMENT NOT CONSIDERED FINAL  
UNLESS ALL SIGNATURES COMPLETED

PLOT DRIVER: NCDOT.pdf\_color\_eng-50dpi  
 USER: PPETERSO  
 DATE: 10/14/2021  
 TIME: 4:06:14 PM  
 FILE: ...SUBSTR

DES BY: K. OLIVER	DATE: 10/19	DWG BY: B. PETERSON	DATE: 10/19
DES CHK: M. WERNER	DATE: 10/19	CHK BY: K. OLIVER	DATE: 11/19