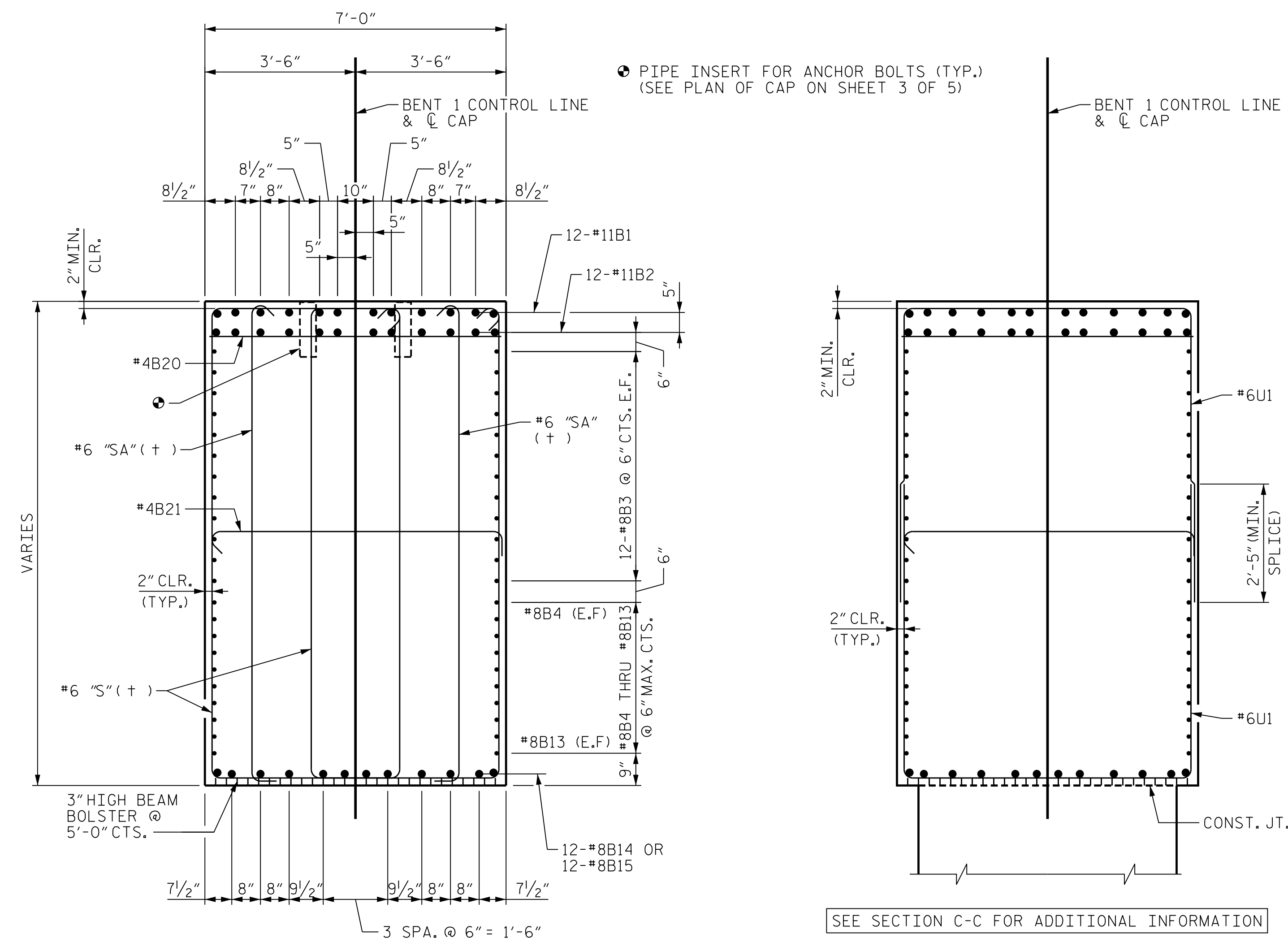


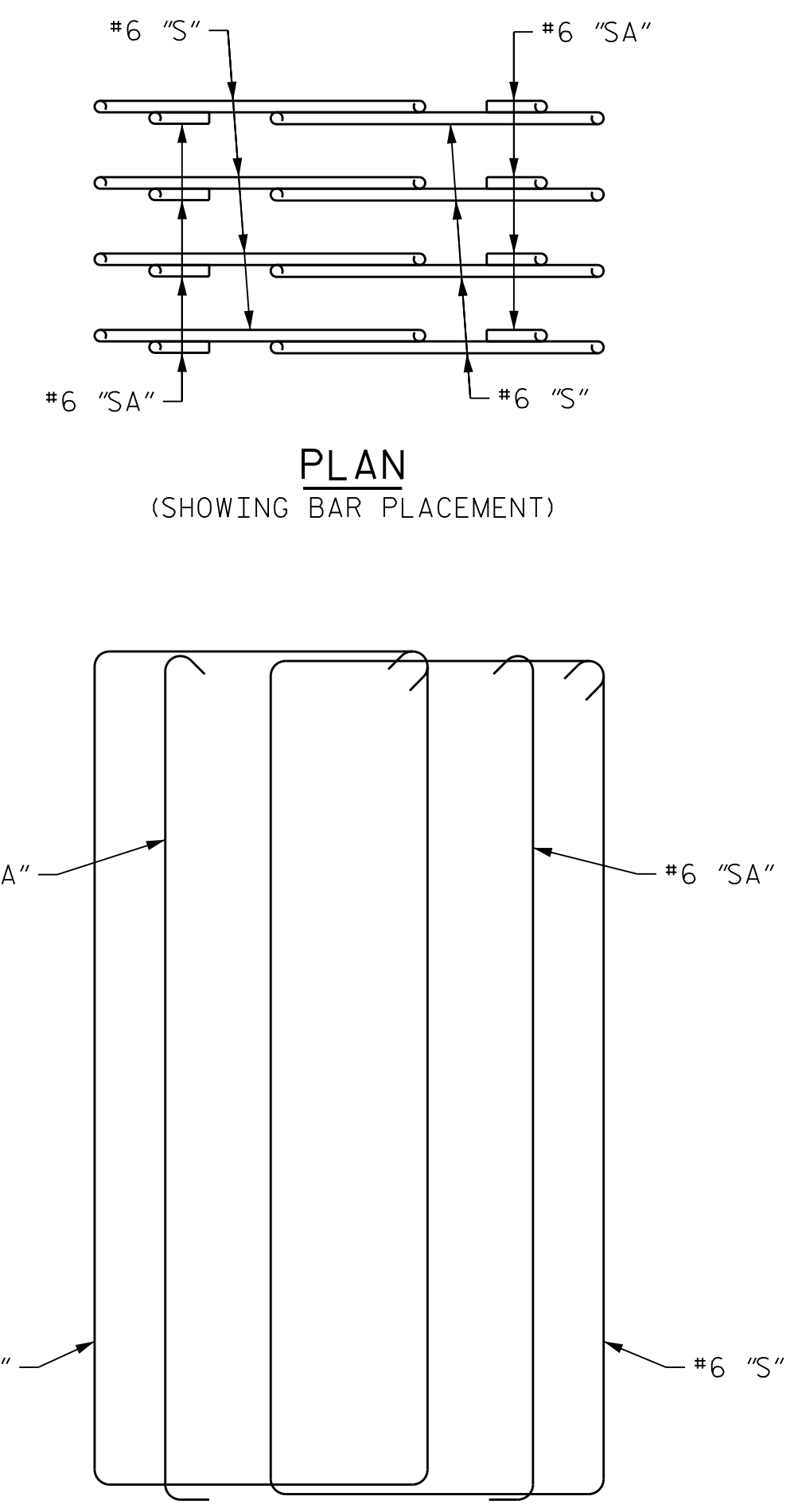
NOTE
SEE SHEET 1 OF 5 FOR NOTES.



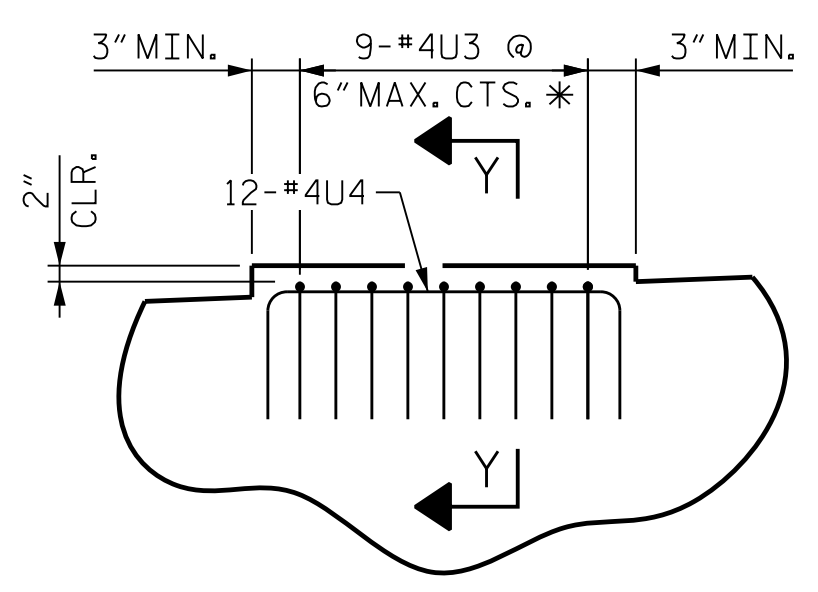
SECTION C-C
(+) SEE "STIRRUP SET DETAIL"

SEE SECTION C-C FOR ADDITIONAL INFORMATION

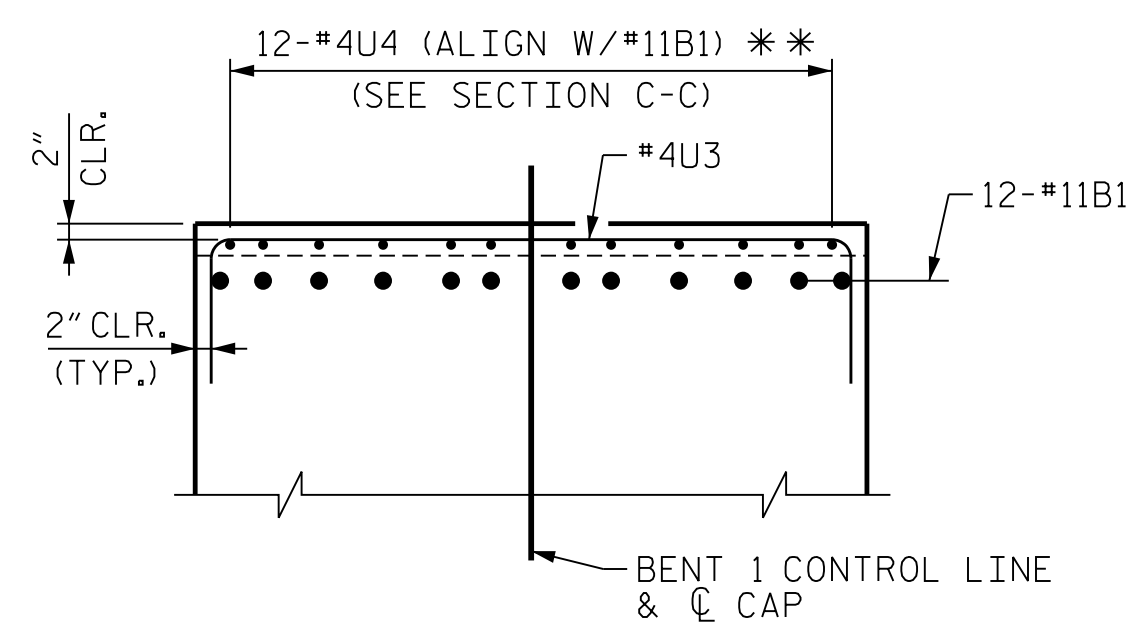
SECTION D-D
COLUMN REINFORCING STEEL NOT SHOWN FOR CLARITY



ELEVATION
(SCHEMATIC)
STIRRUP SET DETAIL



DETAIL "B"



SECTION Y-Y

* NOTE:
#4U3 BARS MAY BE SHIFTED SLIGHTLY AS NECESSARY TO CLEAR PIPE INSERTS FOR ANCHOR BOLTS.
** NOTE:
#4U4 BARS MAY BE SHIFTED AS NECESSARY TO CLEAR #11B1 AND #11B2 BARS.

PROJECT NO. U-2579AB
FORSYTH COUNTY
STATION: 60+66.06 -Y15FLYAC-
SHEET 4 OF 5



STATE OF NORTH CAROLINA
DEPARTMENT OF TRANSPORTATION
RALEIGH

SUBSTRUCTURE
BENT 1
BENT CAP DETAILS

REVISIONS						SHEET NO. S04-093 TOTAL SHEETS 144
NO.	BY:	DATE:	NO.	BY:	DATE:	
1	--	--	3	--	--	
2	--	--	4	--	--	



10/15/2021
DOCUMENT NOT CONSIDERED FINAL
UNLESS ALL SIGNATURES COMPLETED

PLOT DRIVER: NCDOT...
USER: PPETERSO
DATE: 10/14/2021
FILE: ...SUBSTR

DES BY: K. OLIVER	DATE: 10/19	DWG BY: B. PETERSON	DATE: 10/19
DES CHK: M. WERNER	DATE: 10/19	CHK BY: K. OLIVER	DATE: 11/19