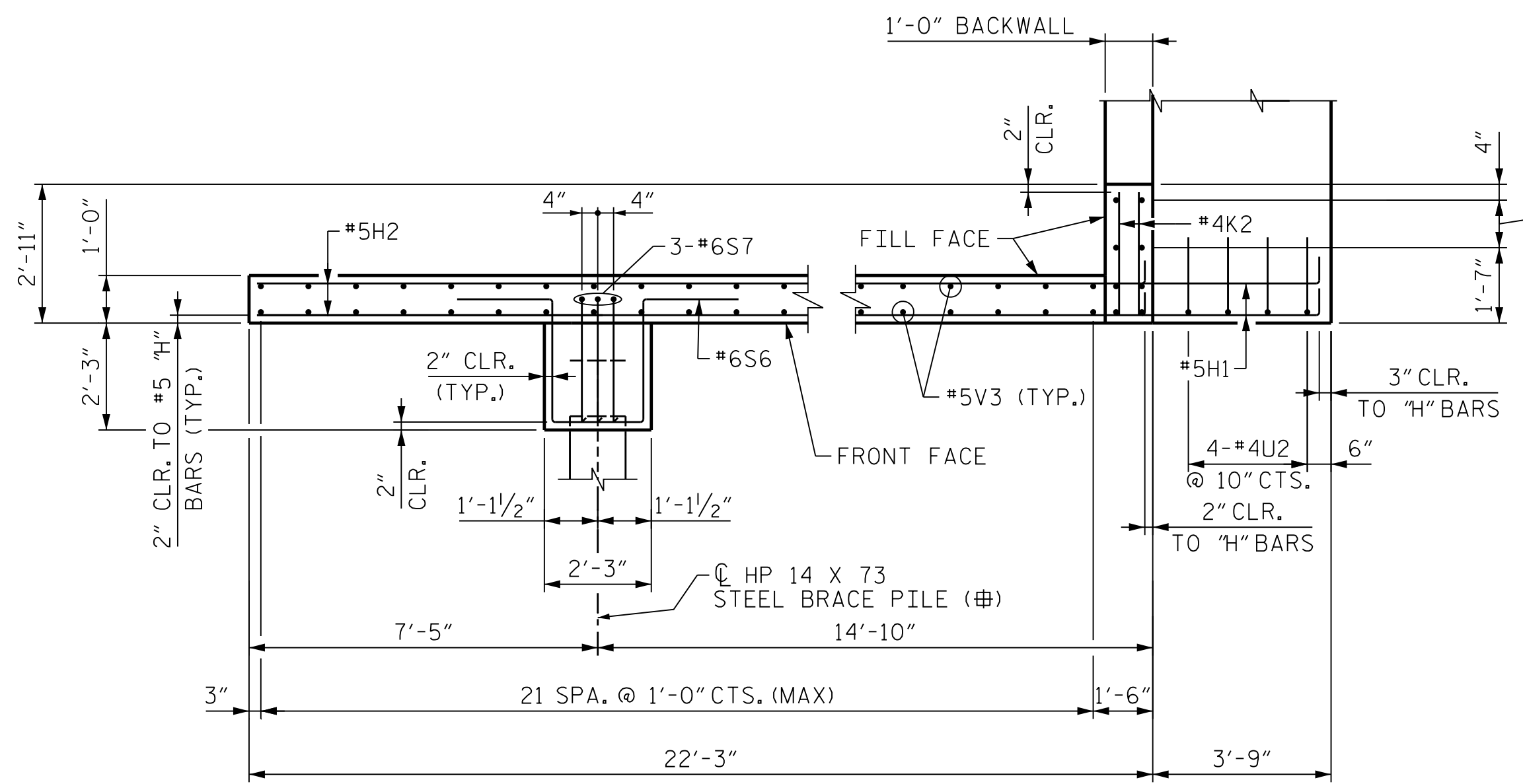
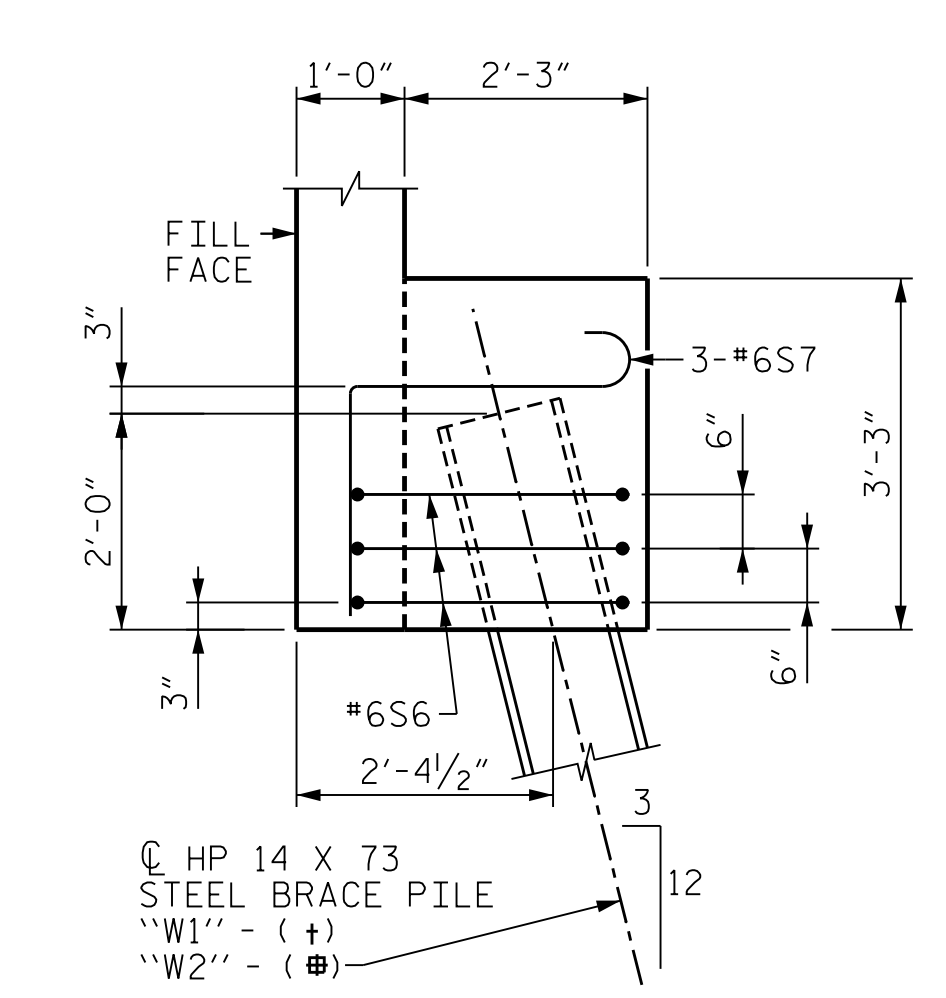


PLAN - WINGWALL "W1"

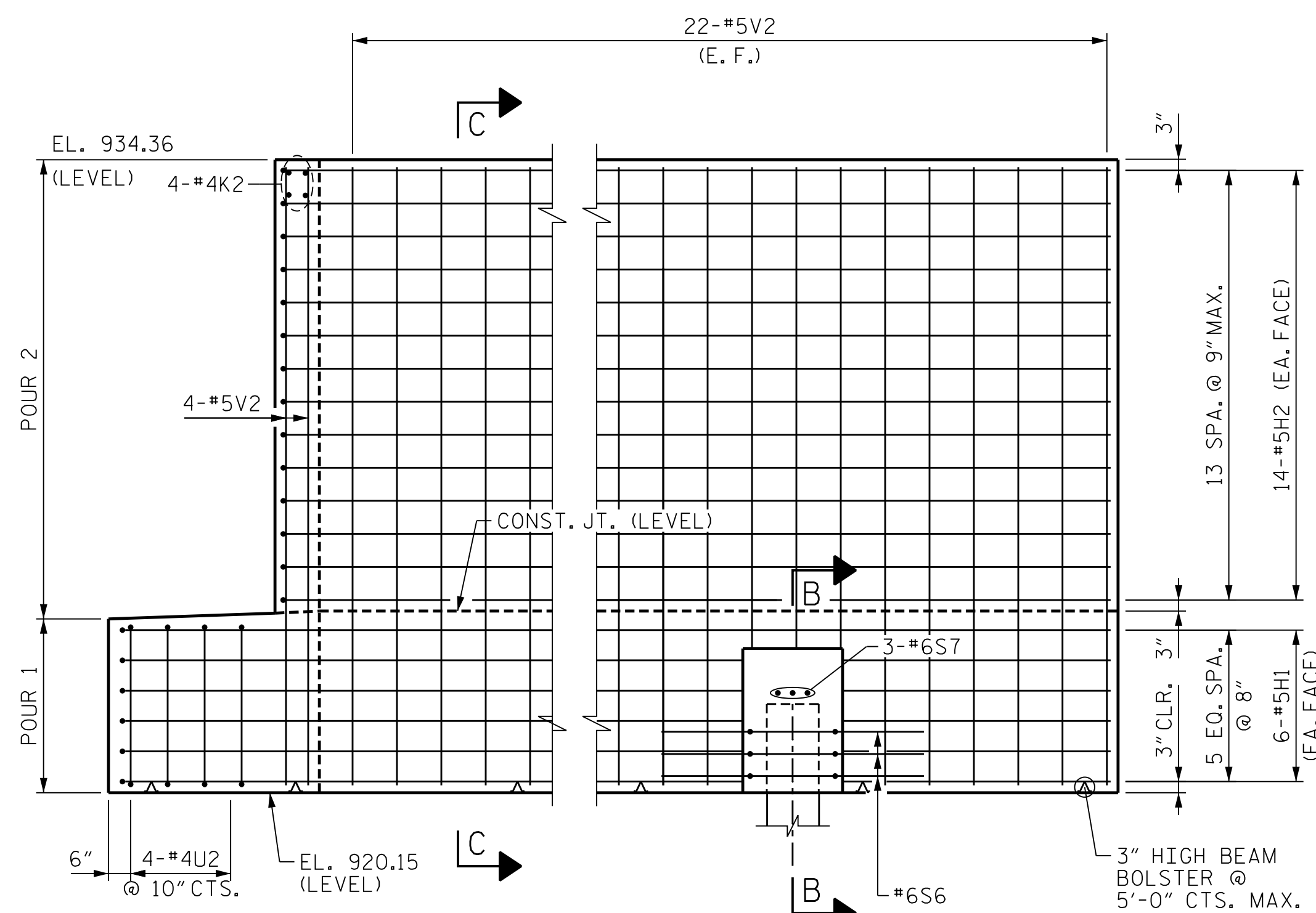


PLAN - WINGWALL "W2"

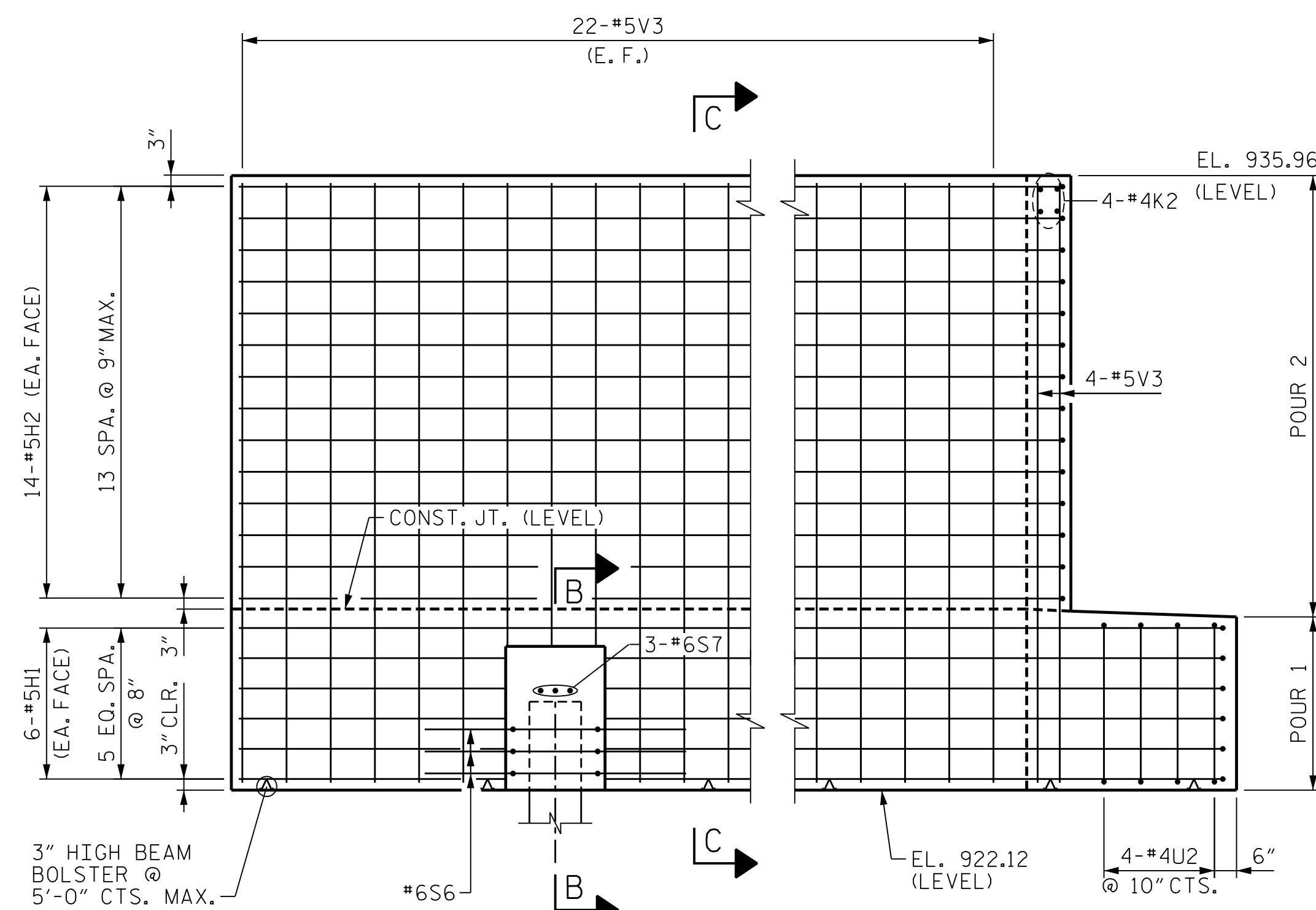


SECTION B-B

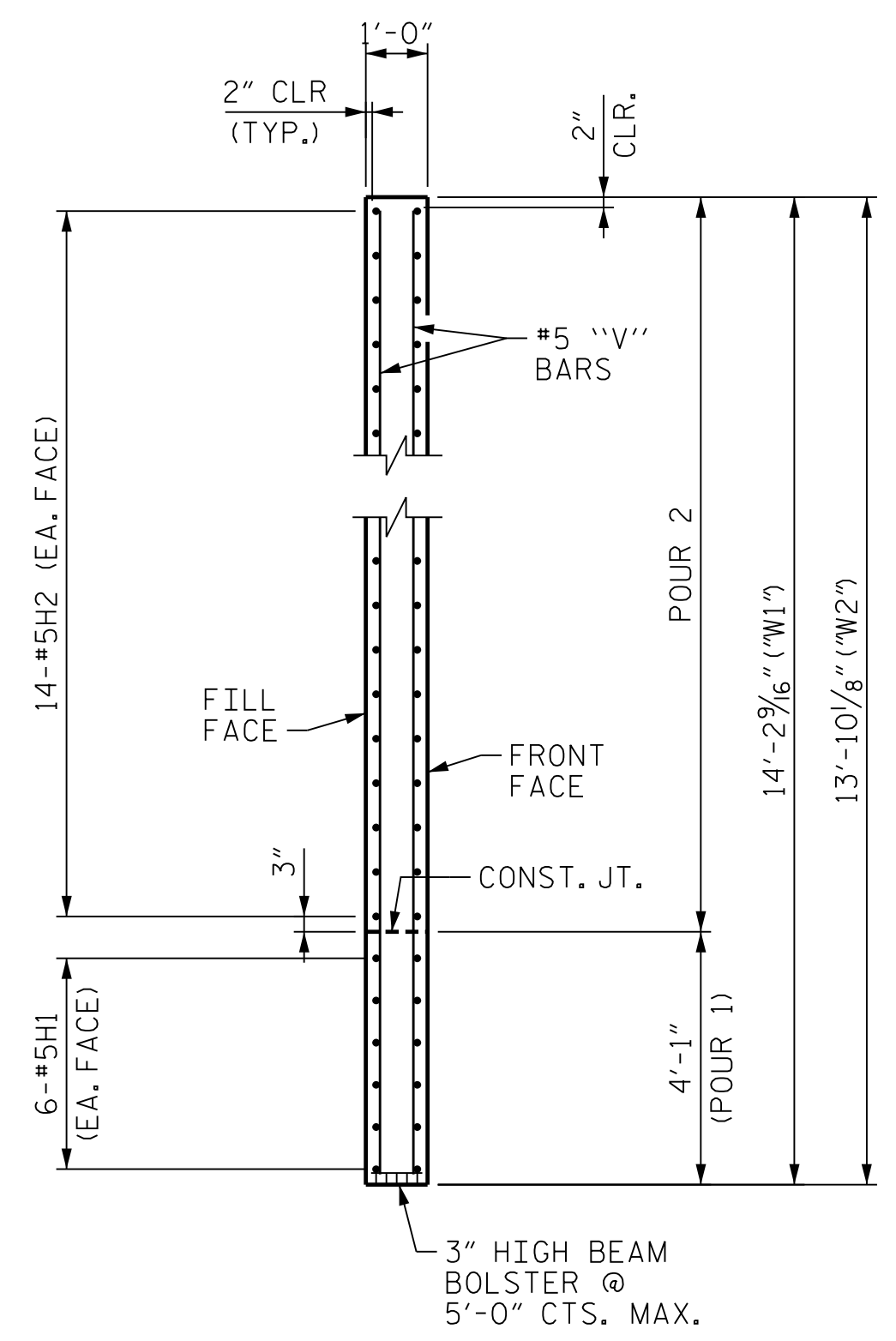
† = PILE CUTOFF ELEVATION 922.15  
 # = PILE CUTOFF ELEVATION 924.12



ELEVATION - WINGWALL "W1"



ELEVATION - WINGWALL "W2"



SECTION C-C

PROJECT NO. U-2579AB  
 FORSYTH COUNTY  
 STATION: 60+66.06 -Y15FLYAC-

SHEET 2 OF 3

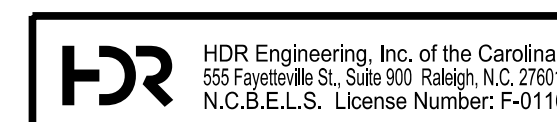
STATE OF NORTH CAROLINA  
 DEPARTMENT OF TRANSPORTATION  
 RALEIGH

SUBSTRUCTURE  
 END BENT 1  
 WING DETAILS



10/15/2021

DES BY: J. EARNEST	DATE: 07/19	DWG BY: B. PETERSON	DATE: 07/19
DES CHK: T. STOKES	DATE: 08/19	CHK BY: A. ZEITOUNI	DATE: 08/19



DOCUMENT NOT CONSIDERED FINAL  
 UNLESS ALL SIGNATURES COMPLETED

REVISIONS					
NO.	BY:	DATE:	NO.	BY:	DATE:
1	--	--	3	--	--
2	--	--	4	--	--

SHEET NO. S04-088
TOTAL SHEETS 144

PLOT DRIVER: NCDOT\_pdf\_color\_eng-50dpi  
 USER: PETERSON DATE: 10/14/2021  
 FILE: ...SUBSTR