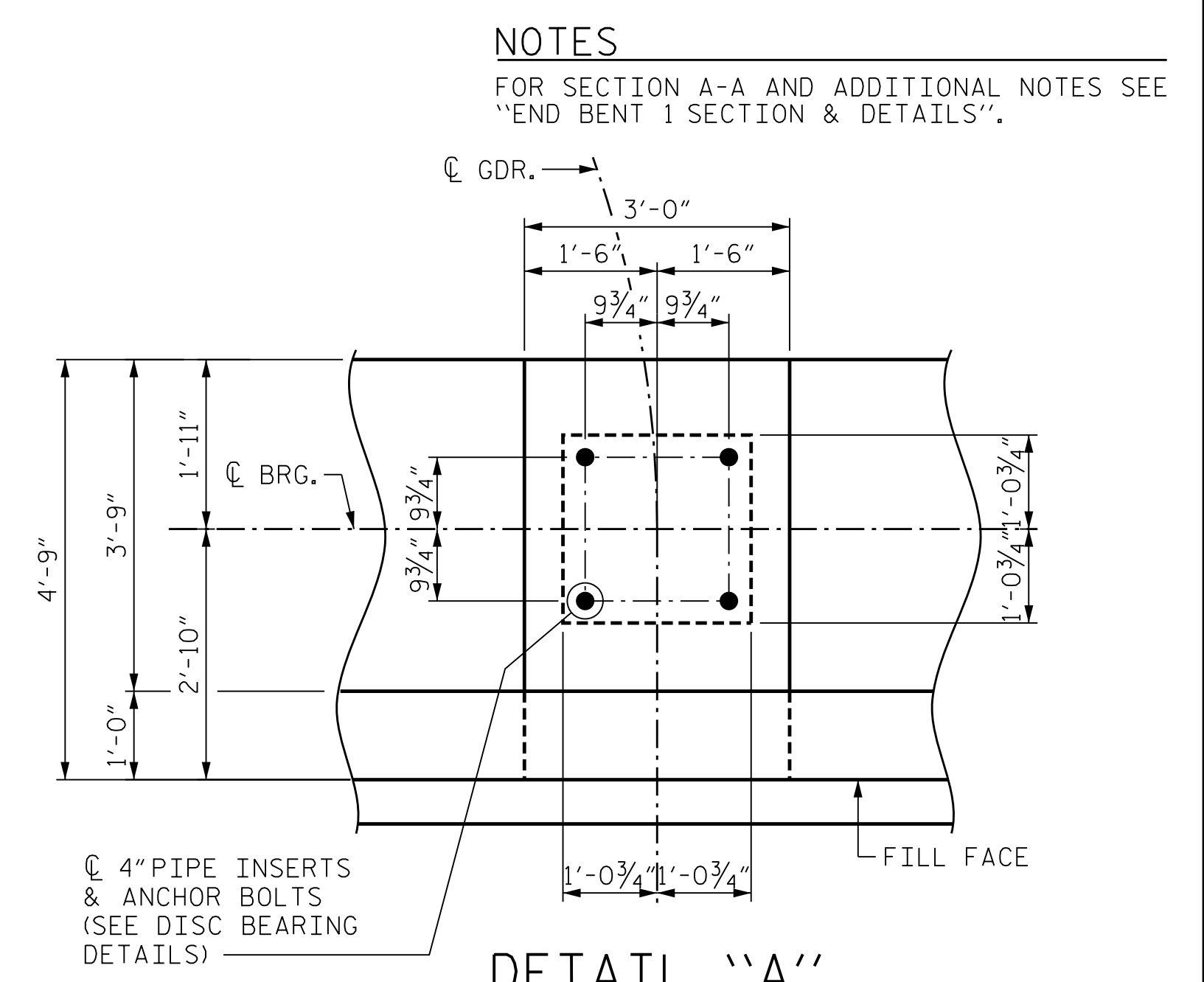
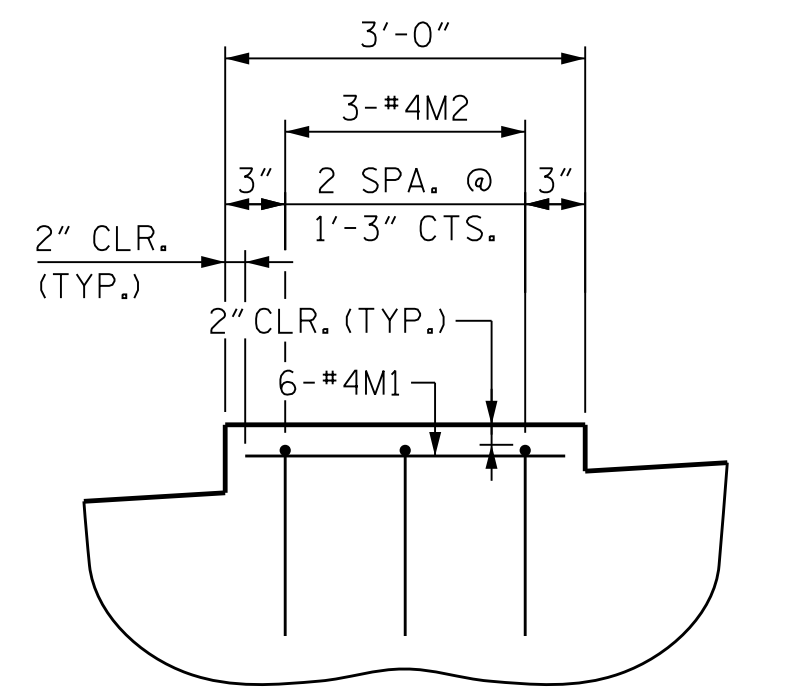


PLAN



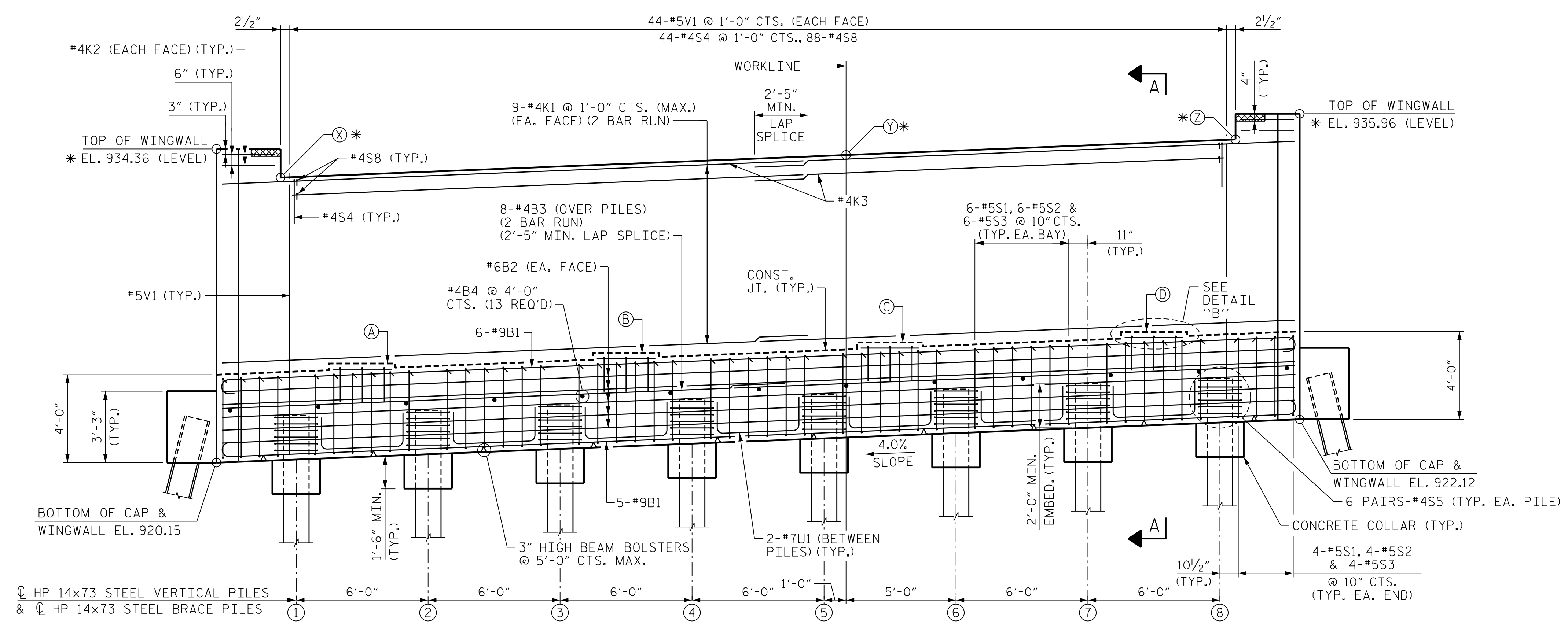
DETAIL "A"

(DIMENSIONS TYP. FOR ALL BEARINGS)



DETAIL "B"

(TYP. FOR ALL GIRDERS)



ELEVATION

ELEVATION TABLE	
LOCATION	ELEVATION
A	924.64
B	925.12
C	925.60
D	926.08
* X	932.63
* Y	933.65
* Z	934.36
* AT FILL FACE	

TOP OF PILE ELEVATIONS	
LOCATION	ELEVATION
1	922.30
2	922.54
3	922.78
4	923.02
5	923.26
6	923.50
7	923.74
8	923.98

PROJECT NO. U-2579AB
 FORSYTH COUNTY
 STATION: 60+66.06 -Y15FLYAC-
 SHEET 1 OF 3



10/15/2021

STATE OF NORTH CAROLINA
 DEPARTMENT OF TRANSPORTATION
 RALEIGH

**SUBSTRUCTURE
 END BENT 1
 PLAN AND ELEVATION**

REVISIONS						SHEET NO. S04-087 TOTAL SHEETS 144
NO.	BY:	DATE:	NO.	BY:	DATE:	
1	--	--	3	--	--	
2	--	--	4	--	--	

PLOT DRIVER: NCDOT.pdf_color_eng-50dpi
 USER: PPETERSO DATE: 10/14/2021 TIME: 4:04:37 PM
 FILE: ...SUBSTR

DES BY: J. EARNEST	DATE: 07/19	DWG BY: B. PETERSON	DATE: 07/19
DES CHK: T. STOKES	DATE: 08/19	CHK BY: A. ZEITOUNI	DATE: 08/19

HR HDR Engineering, Inc. of the Carolinas
 555 Fayetteville St., Suite 900 Raleigh, N.C. 27601
 N.C.B.E.L.S. License Number: R7-0116

DOCUMENT NOT CONSIDERED FINAL
 UNLESS ALL SIGNATURES COMPLETED