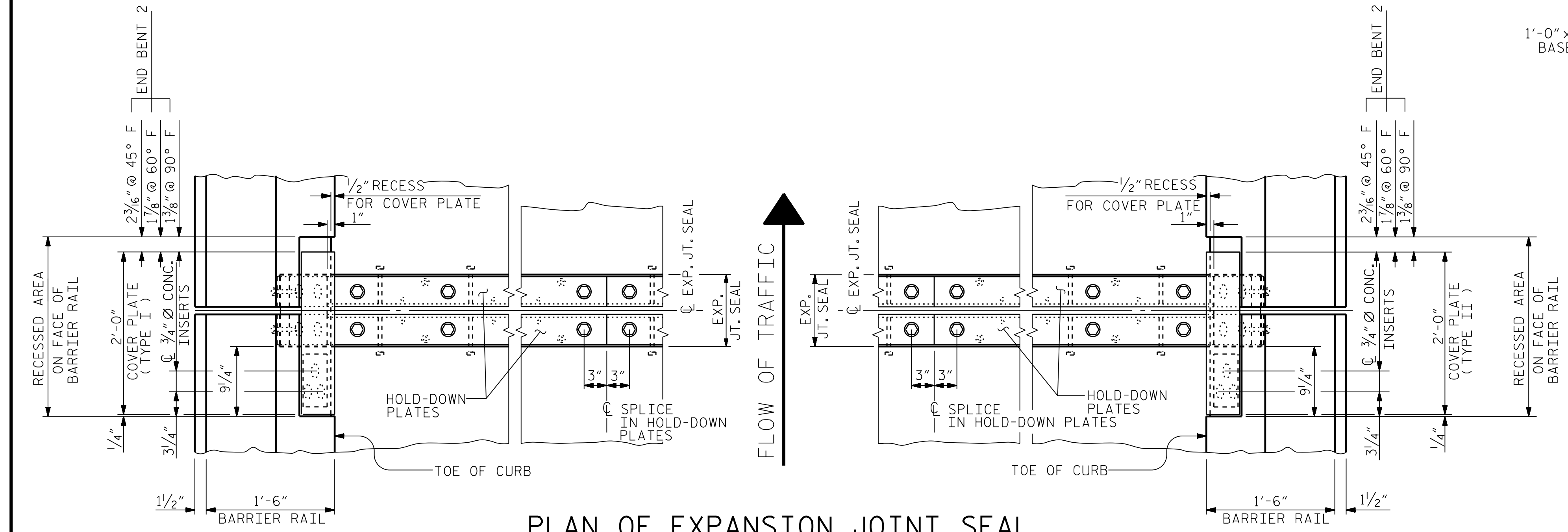
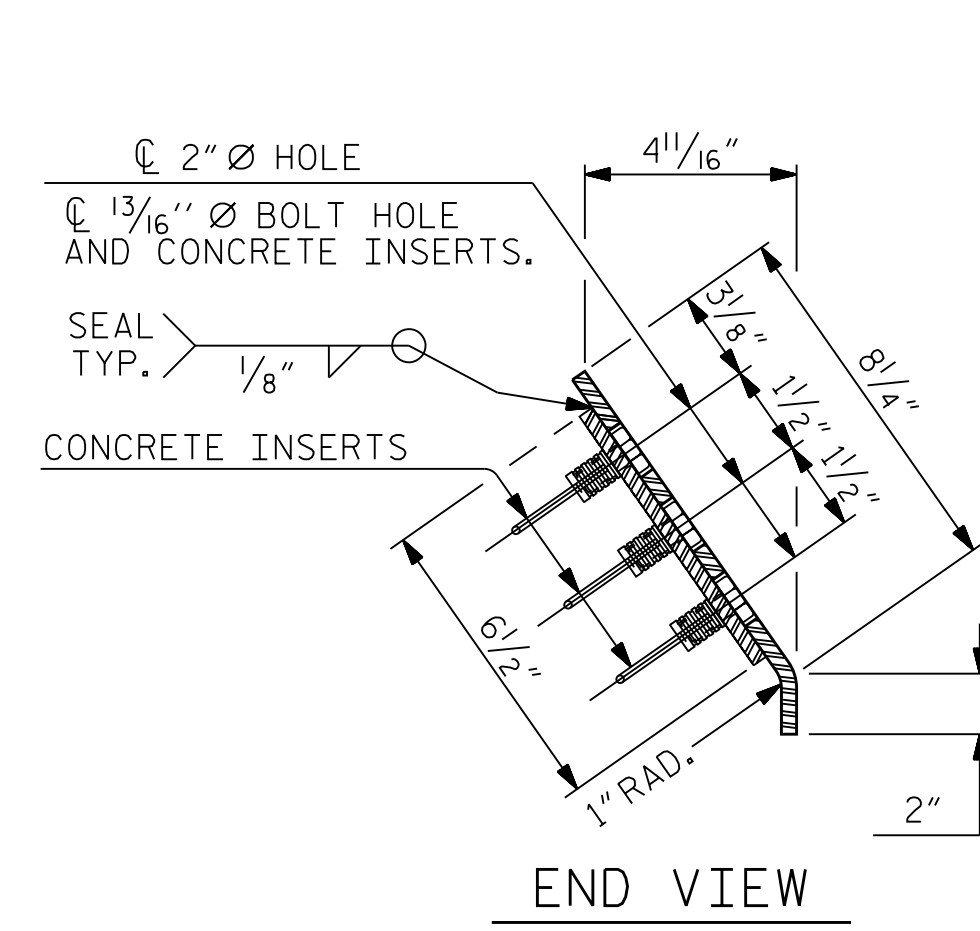


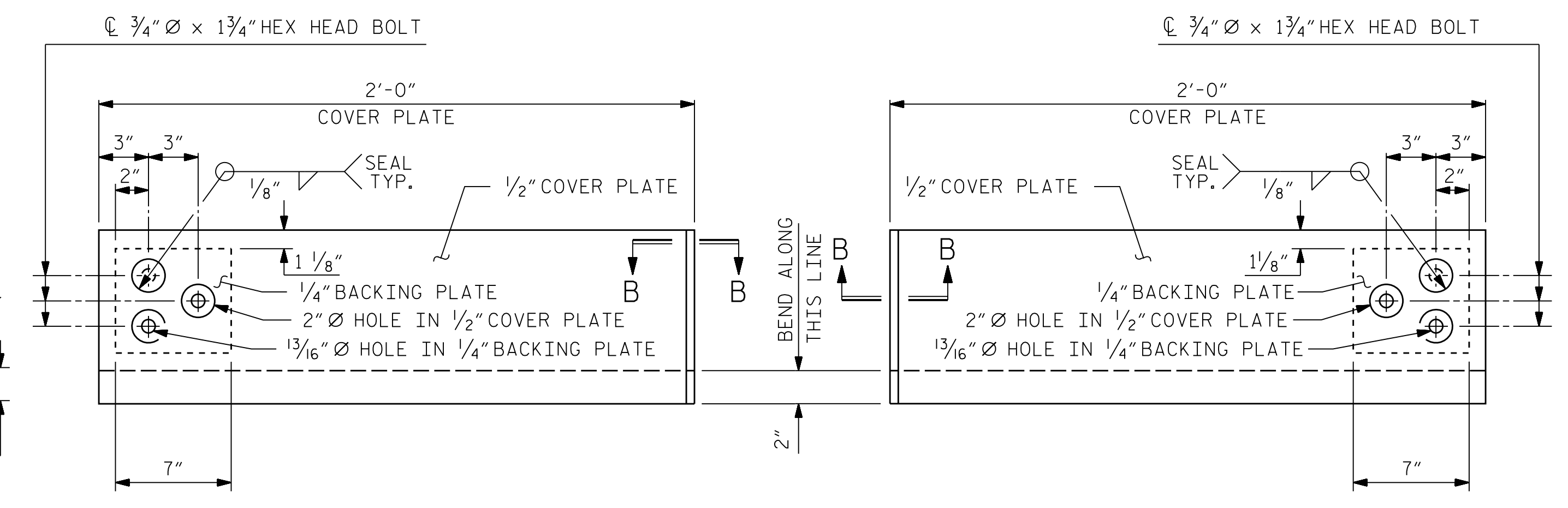
SECTION THRU RAIL NORMAL TO JOINT



PLAN OF EXPANSION JOINT SEAL

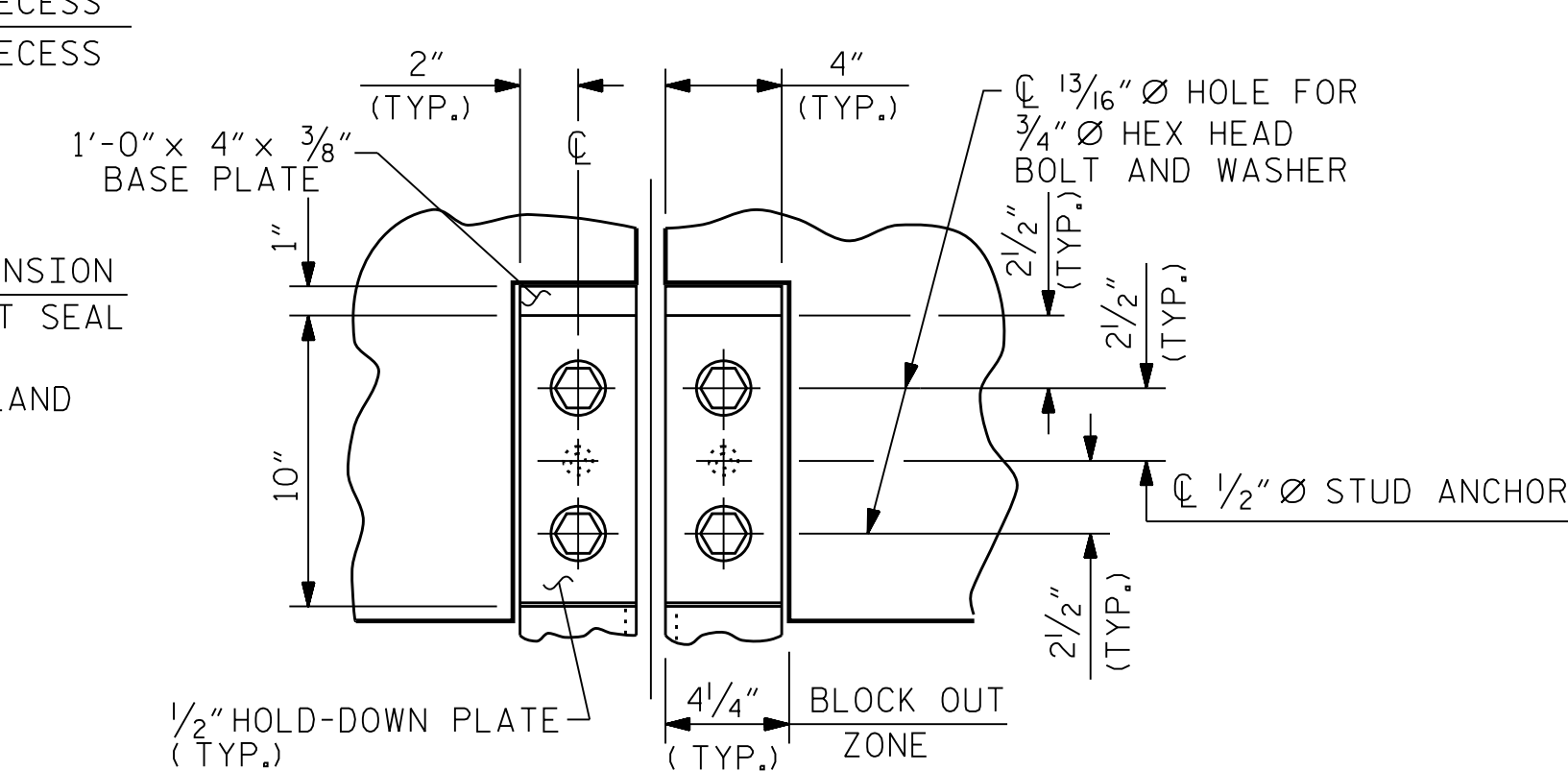


END VIEW

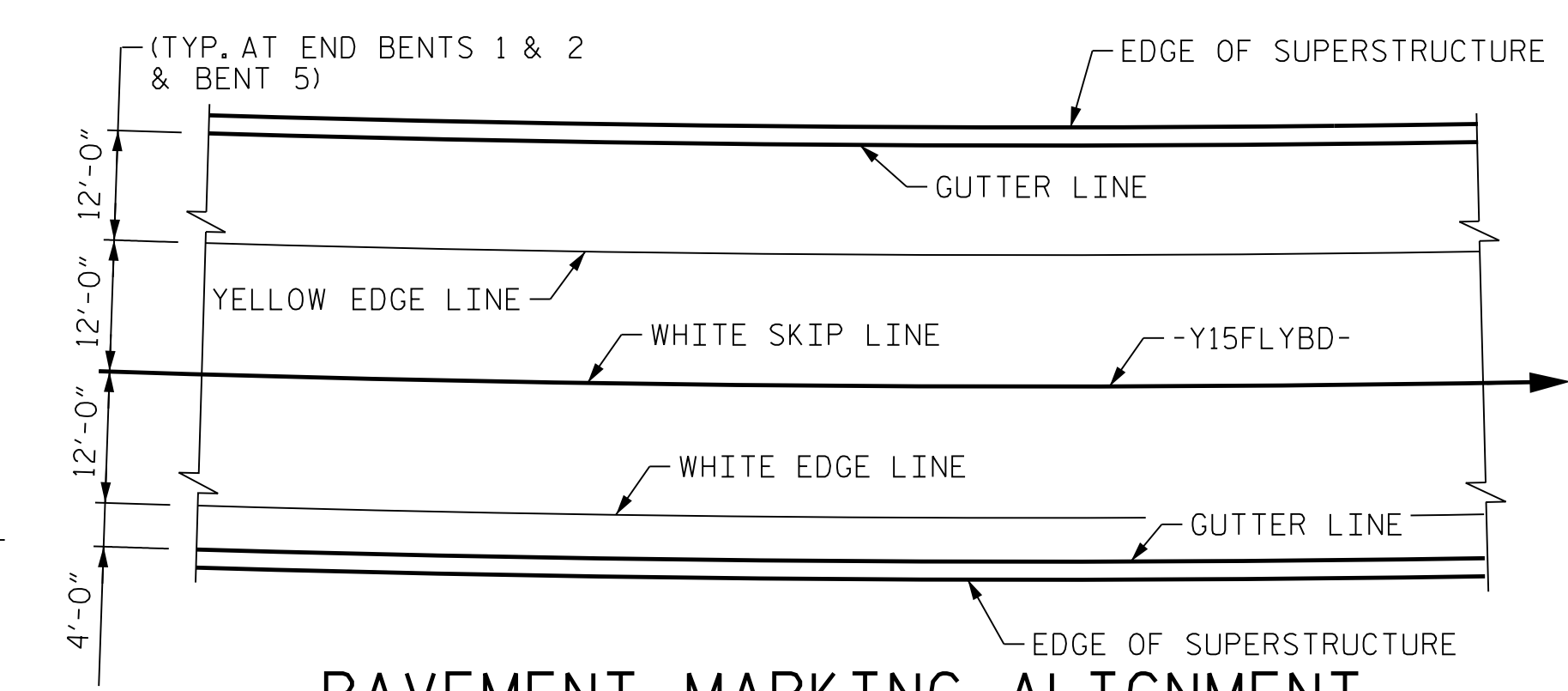


TYPE I - ELEVATION VIEW TYPE II - ELEVATION VIEW

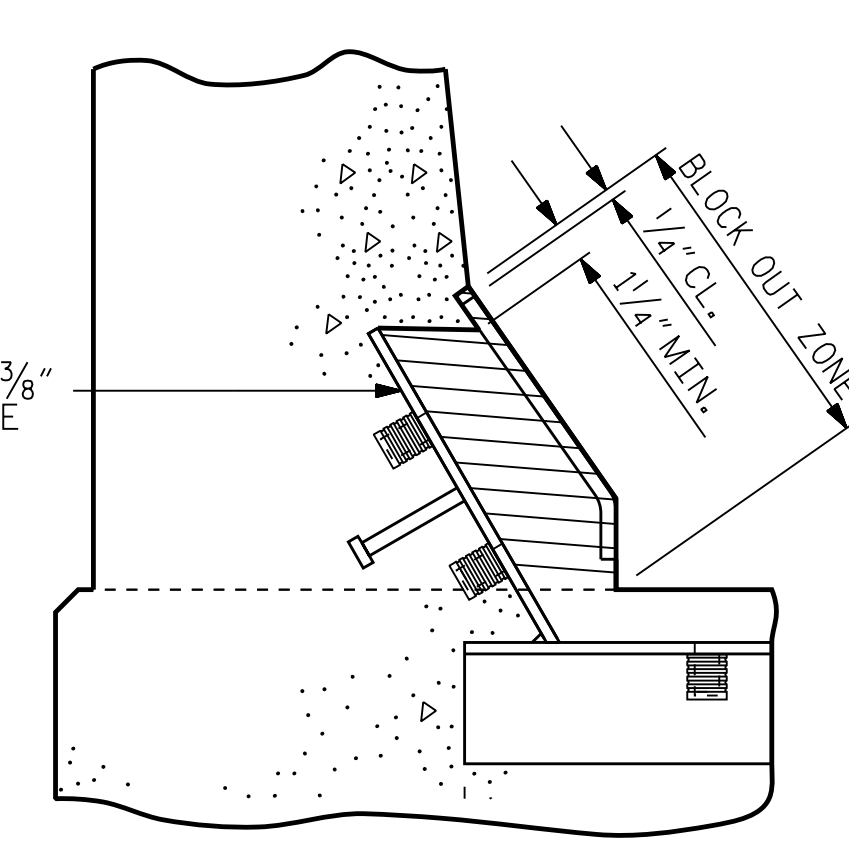
COVER PLATE DETAILS



SECTION A-A

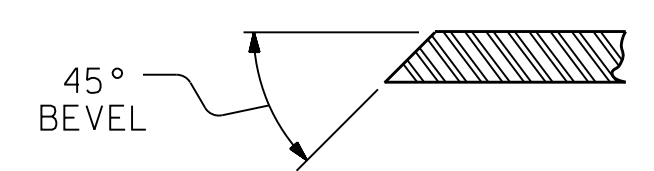


PAVEMENT MARKING ALIGNMENT

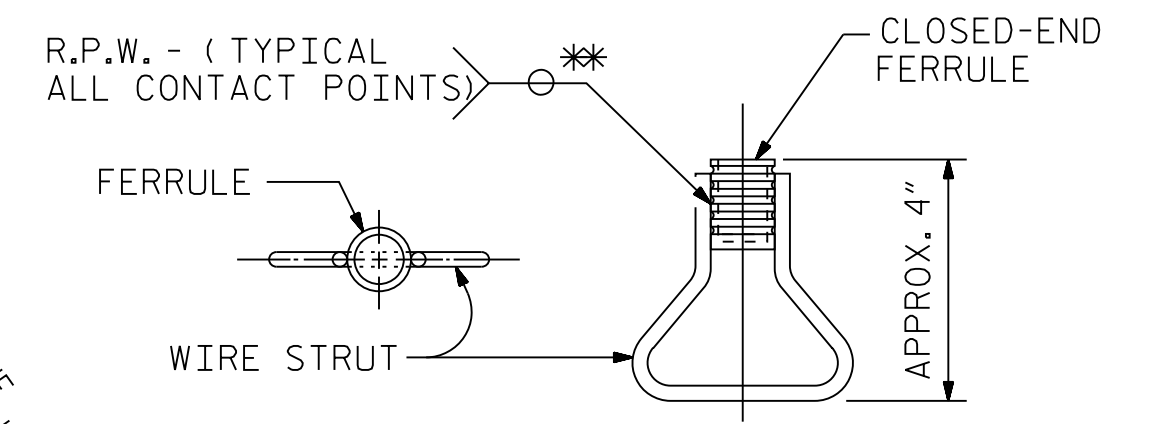


BLOCK OUT DETAIL

SEE "SECTION A - A" FOR OTHER DETAILS.



SECTION B - B



PLAN ELEVATION

CONCRETE INSERT

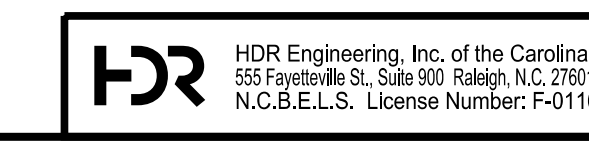
\*\* = EACH WELDED ATTACHMENT OF WIRE TO FERRULE SHALL DEVELOP THE TENSILE STRENGTH OF THE WIRE.

PROJECT NO. U-2579AB  
 FORSYTH COUNTY  
 STATION: 60+66.06 -Y15FLYAC-



10/15/2021

ASSEMBLED BY : T. SAS	DATE : 10/19
CHECKED BY : T. ANDREWS	DATE : 11/19
DRAWN BY : REK 9/87	REV. 7/12 MAA/GM
CHECKED BY : CRK 10/87	REV. 6/13 MAA/GM
	REV. 12/17 MAA/THC



DOCUMENT NOT CONSIDERED FINAL UNLESS ALL SIGNATURES COMPLETED

REVISIONS						SHEET NO. 504-084
NO.	BY:	DATE:	NO.	BY:	DATE:	
1	--	--	3	--	--	TOTAL SHEETS 144
2	--	--	4	--	--	

PENTABLE: NCDOT\_STRUCTURES\_DEFAULT\_PEN.tbl  
 USER: PPRET00 DATE: 10/14/2021 TIME: 4:04:12 PM  
 PLOT DRIVER: NCDOT\_pdf\_color\_eng-50.ppt  
 FILE: ... \SUPERS