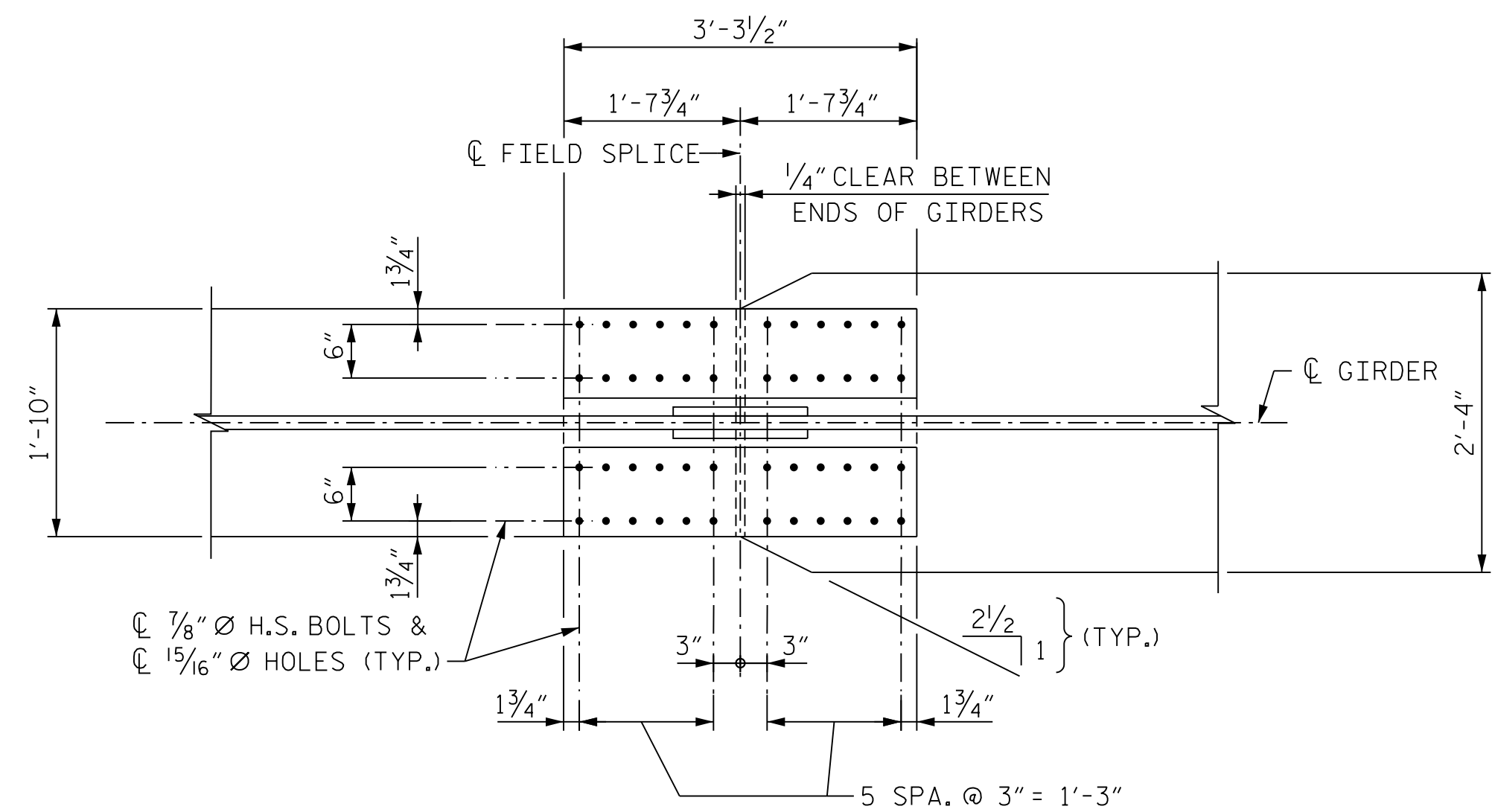


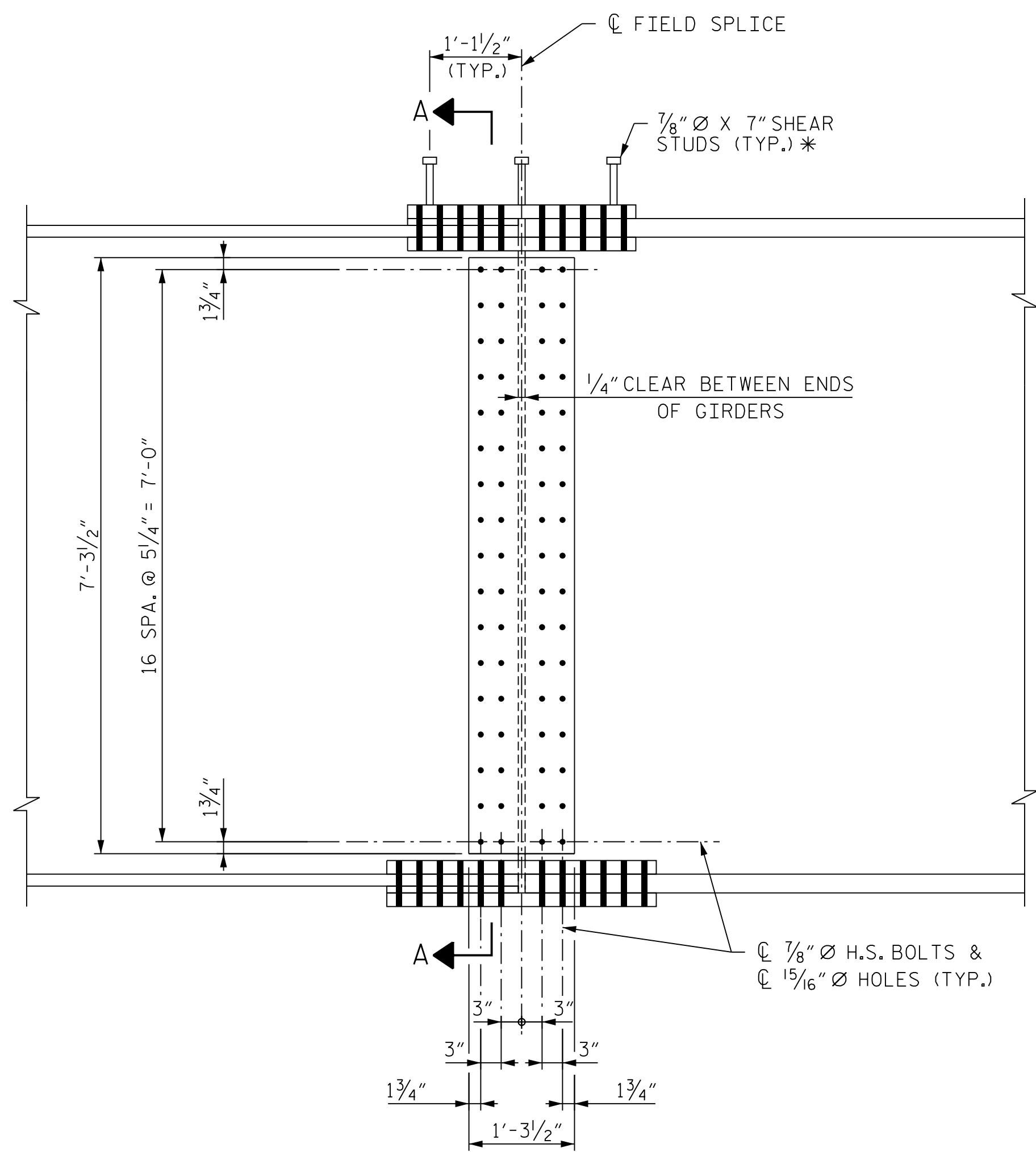
**PLAN (TOP OF TOP FLANGE)**

(STUDS NOT SHOWN FOR CLARITY)

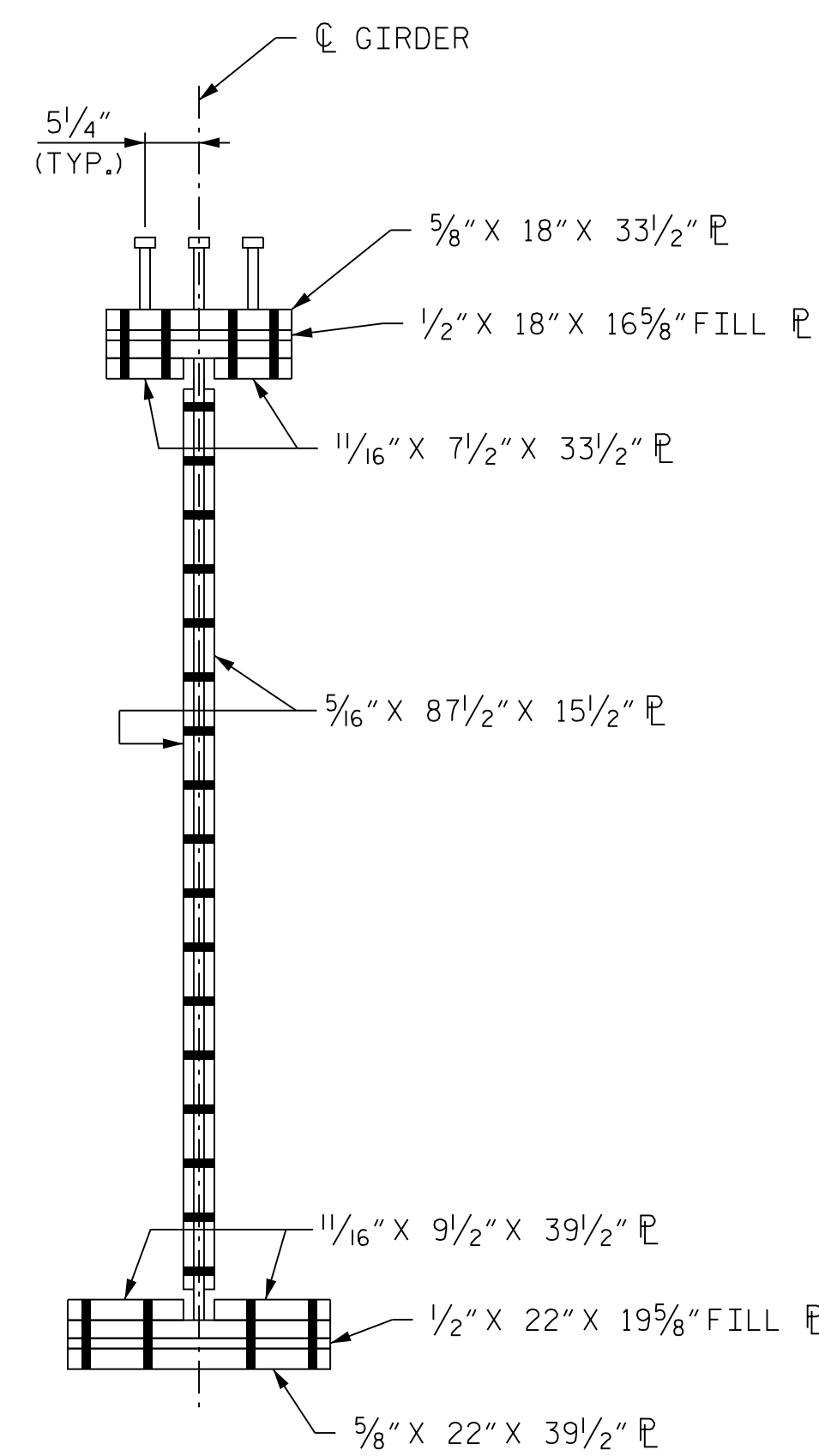
\* = SHEAR STUDS ARE TO BE SHOP WELDED ON TOP OF PLATE BEFORE FIELD ASSEMBLY



**PLAN (TOP OF BOTTOM FLANGE)**



**ELEVATION**



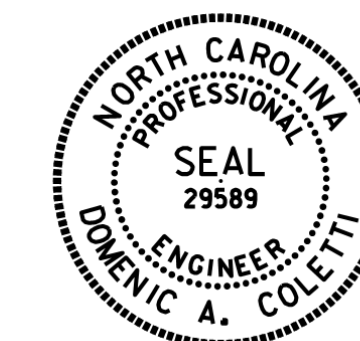
**SECTION A-A**

**NOTE**

ORIENTATION OF PLAN AND ELEVATION VIEWS MAY VARY BASED ON FIELD SPLICE LOCATION

PROJECT NO. U-2579AB  
 FORSYTH COUNTY  
 STATION: 60+66.06 -Y15FLYAC-

SHEET 18 OF 19



*Dominic A. Colletti* 10/15/2021

STATE OF NORTH CAROLINA  
 DEPARTMENT OF TRANSPORTATION  
 RALEIGH

**SUPERSTRUCTURE  
 BOLTED FIELD SPLICE  
 DETAILS - TYPE "S"**

REVISIONS						SHEET NO. S04-058 TOTAL SHEETS 144
NO.	BY:	DATE:	NO.	BY:	DATE:	
1	--	--	3	--	--	
2	--	--	4	--	--	



**DOCUMENT NOT CONSIDERED FINAL  
 UNLESS ALL SIGNATURES COMPLETED**

PLOT DRIVER: NCDOT\_pdf\_color\_eng-50.ppt  
 USER: PPETERSO DATE: 10/14/2021  
 PENTABLE: NCDOT\_STRUCTURES\_DEFAULT\_PEN.tbl  
 TIME: 4:02:03 PM  
 FILE: ... \SUPERS

DES BY: <u>T. ANDREWS</u>	DATE: <u>07/19</u>	DWG BY: <u>B. PETERSON</u>	DATE: <u>07/19</u>
DES CHK: <u>D. OLDS</u>	DATE: <u>08/19</u>	CHK BY: <u>T. ANDREWS</u>	DATE: <u>10/19</u>