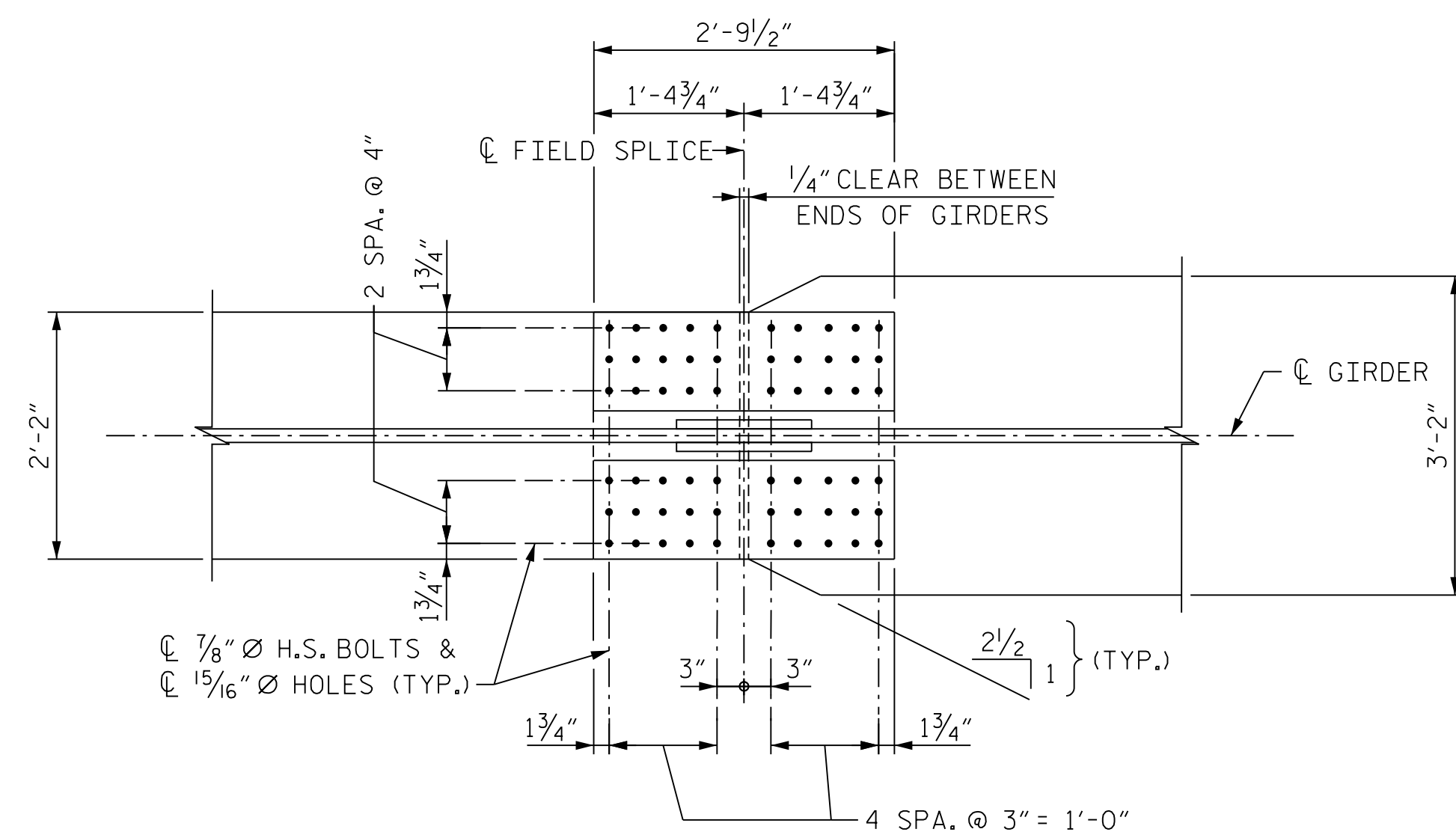


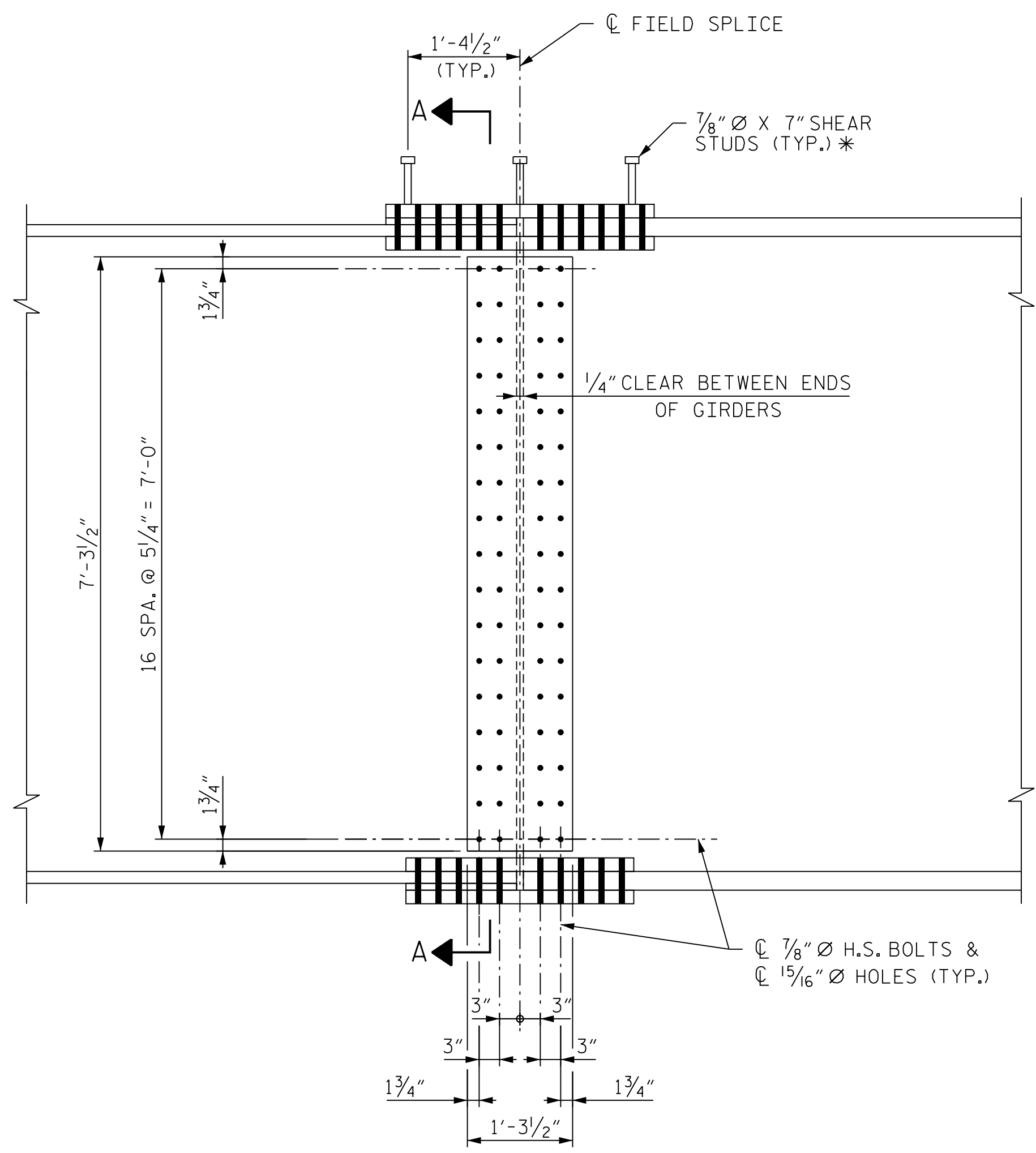
PLAN (TOP OF TOP FLANGE)

(STUDS NOT SHOWN FOR CLARITY)

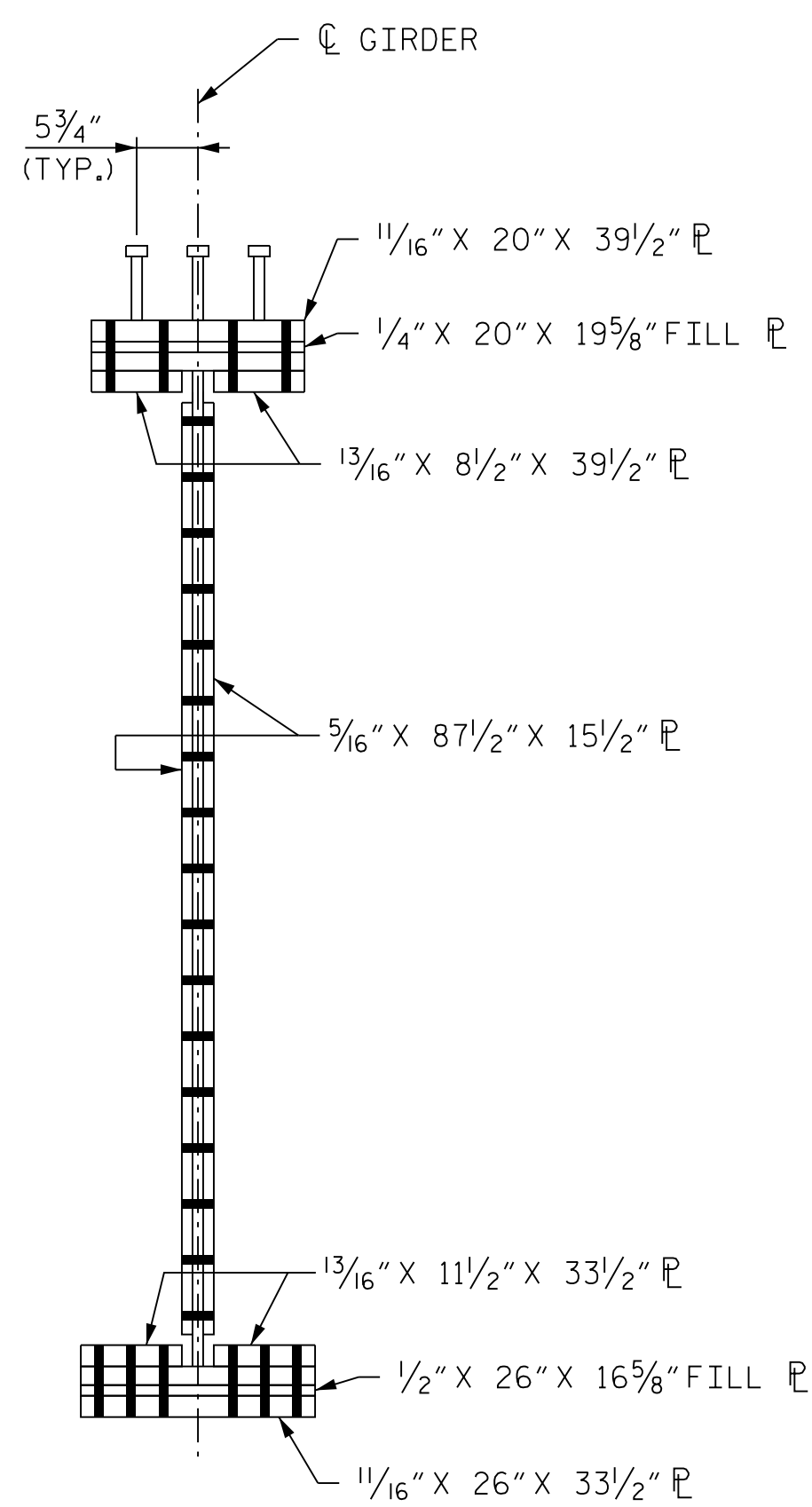
* = SHEAR STUDS ARE TO BE SHOP WELDED ON TOP OF PLATE BEFORE FIELD ASSEMBLY



PLAN (TOP OF BOTTOM FLANGE)



ELEVATION



SECTION A-A

NOTE

ORIENTATION OF PLAN AND ELEVATION VIEWS MAY VARY BASED ON FIELD SPLICE LOCATION

PROJECT NO. U-2579AB
FORSYTH COUNTY
 STATION: 60+66.06 -Y15FLYAC-

SHEET 13 OF 19

STATE OF NORTH CAROLINA
 DEPARTMENT OF TRANSPORTATION
 RALEIGH

SUPERSTRUCTURE
 BOLTED FIELD SPLICE
 DETAILS - TYPE "M"



10/15/2021

REVISIONS

NO.	BY:	DATE:	NO.	BY:	DATE:
1	--	--	3	--	--
2	--	--	4	--	--

SHEET NO. S04-053
 TOTAL SHEETS 144



DOCUMENT NOT CONSIDERED FINAL UNLESS ALL SIGNATURES COMPLETED

PLOT DRIVER: NCDOT... PENTABLE: NCDOT... USER: PPETERSO... DATE: 10/14/2021... FILE: ... \ASUPERS

DES BY: T. ANDREWS	DATE: 07/19	DWG BY: B. PETERSON	DATE: 07/19
DES CHK: D. OLDS	DATE: 08/19	CHK BY: T. ANDREWS	DATE: 10/19