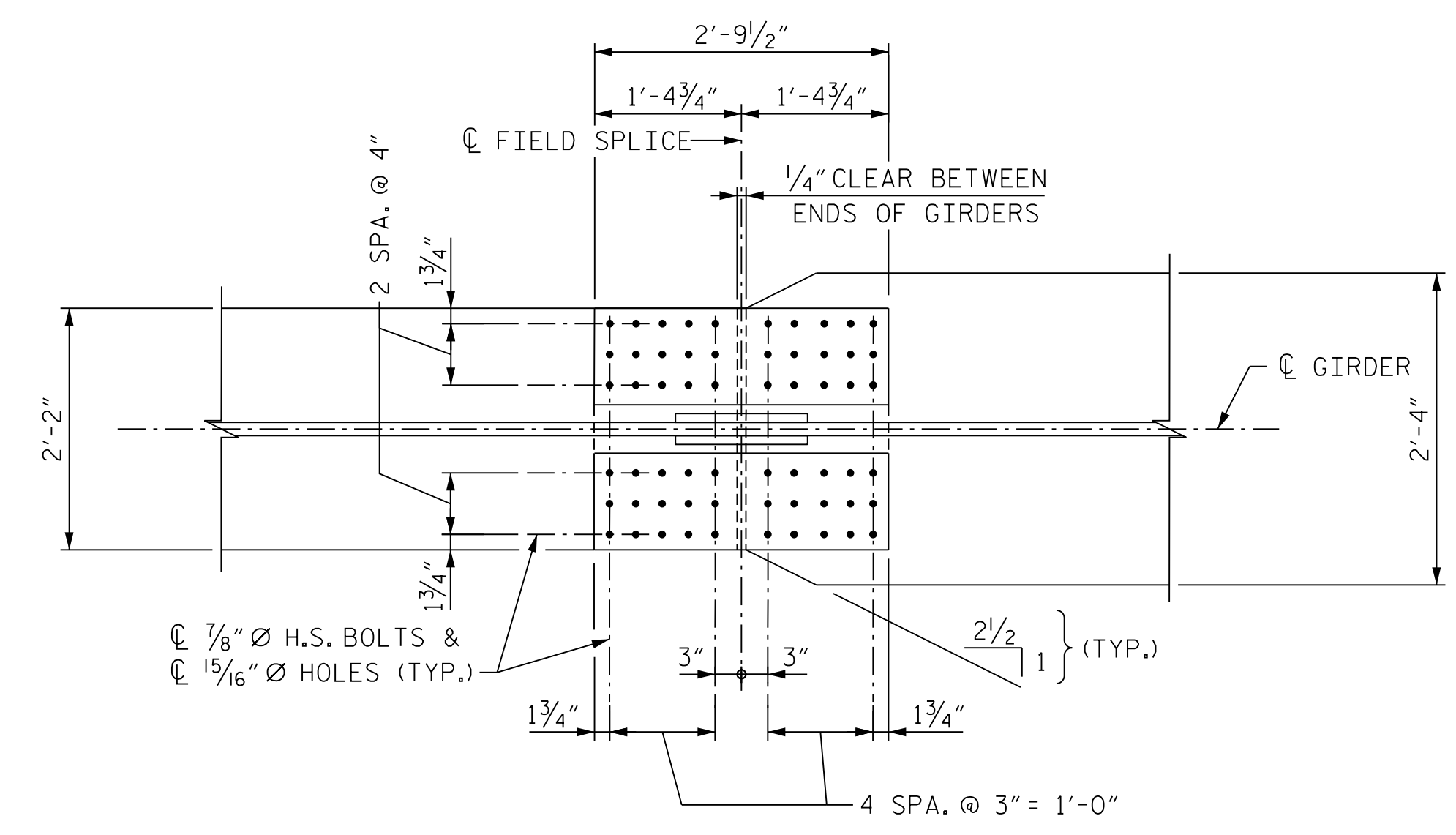


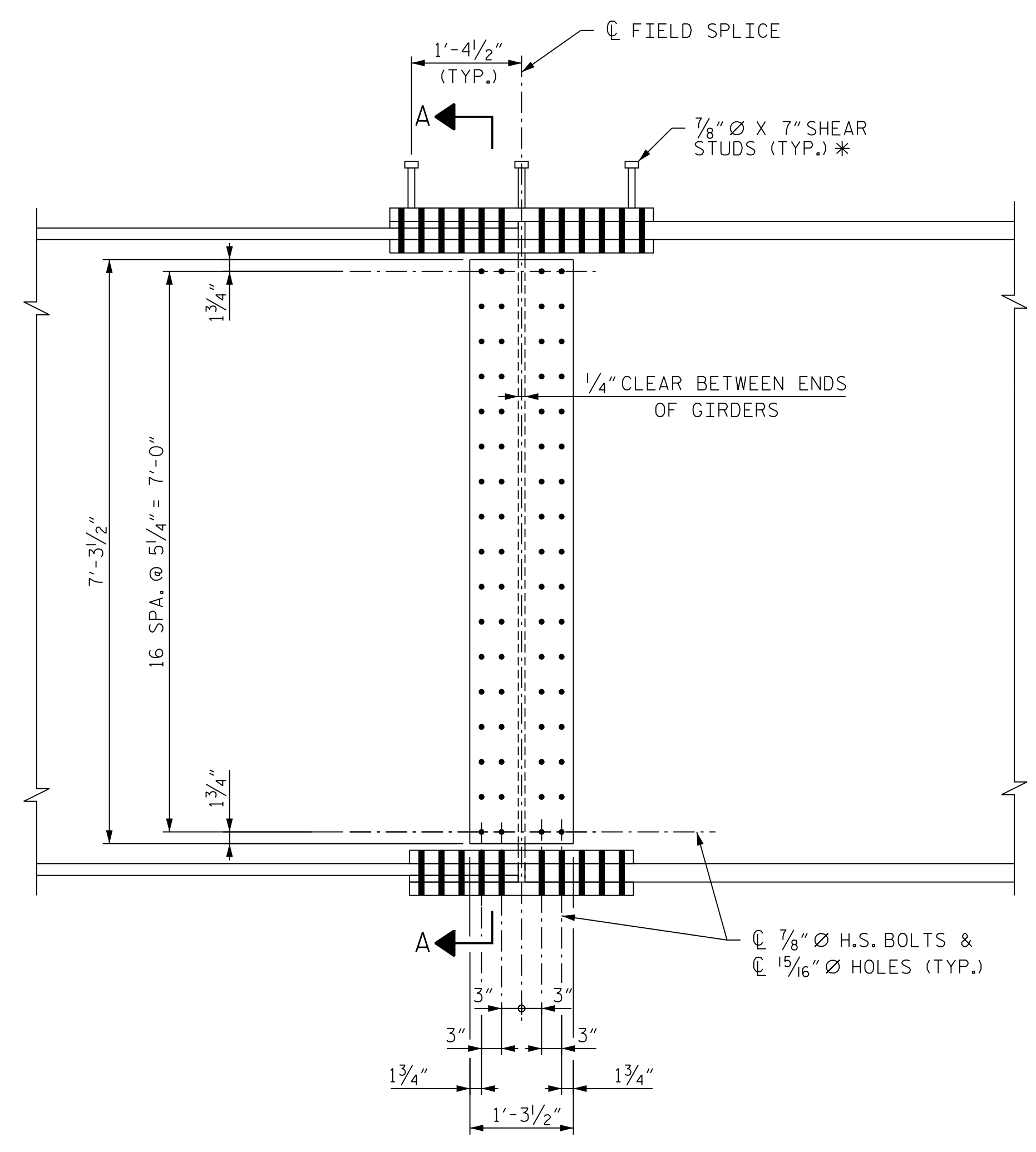
PLAN (TOP OF TOP FLANGE)

(STUDS NOT SHOWN FOR CLARITY)

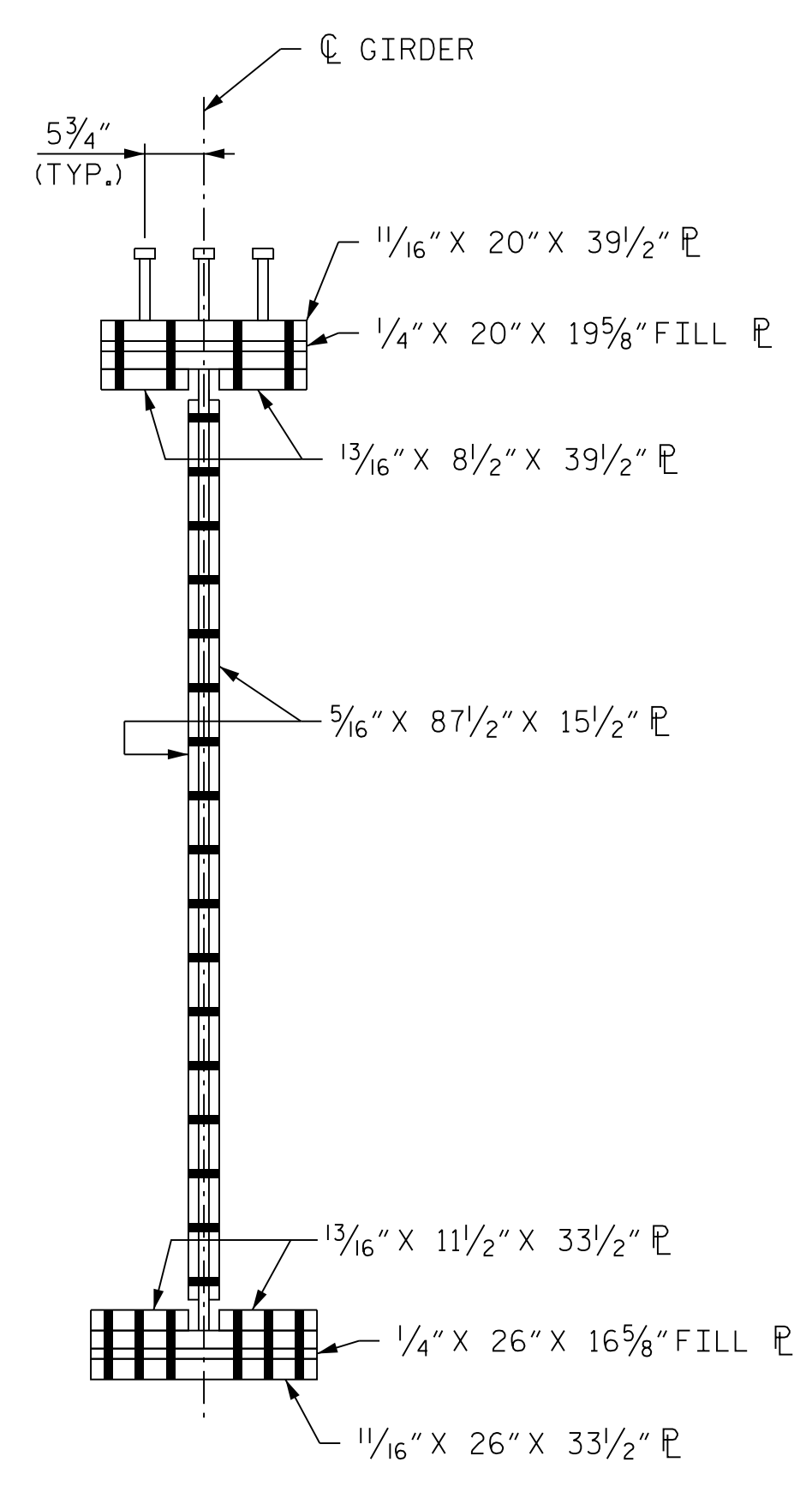
\* = SHEAR STUDS ARE TO BE SHOP WELDED ON TOP OF PLATE BEFORE FIELD ASSEMBLY



PLAN (TOP OF BOTTOM FLANGE)



ELEVATION



SECTION A-A

NOTE  
ORIENTATION OF PLAN AND ELEVATION VIEWS MAY VARY BASED ON FIELD SPLICE LOCATION

PROJECT NO. U-2579AB  
FORSYTH COUNTY  
STATION: 60+66.06 -Y15FLYAC-  
SHEET 12 OF 19



10/15/2021

STATE OF NORTH CAROLINA  
DEPARTMENT OF TRANSPORTATION  
RALEIGH

SUPERSTRUCTURE  
BOLTED FIELD SPLICE  
DETAILS - TYPE "L"

REVISIONS						SHEET NO. S04-052 TOTAL SHEETS 144
NO.	BY:	DATE:	NO.	BY:	DATE:	
1	--	--	3	--	--	
2	--	--	4	--	--	

PLOT DRIVER: NCDOT.pdf\_color\_eng-50.ppt  
 USER: PPETERSO  
 DATE: 10/14/2021  
 TIME: 4:01:55 PM  
 FILE: ... \SUPERS

DES BY: T. ANDREWS	DATE: 07/19	DWG BY: B. PETERSON	DATE: 07/19
DES CHK: D. OLDS	DATE: 08/19	CHK BY: T. ANDREWS	DATE: 10/19

HDR Engineering, Inc. of the Carolinas  
555 Fayetteville St., Suite 900 Raleigh, N.C. 27601  
N.C.B.E.L.S. License Number: F-0116

DOCUMENT NOT CONSIDERED FINAL  
UNLESS ALL SIGNATURES COMPLETED