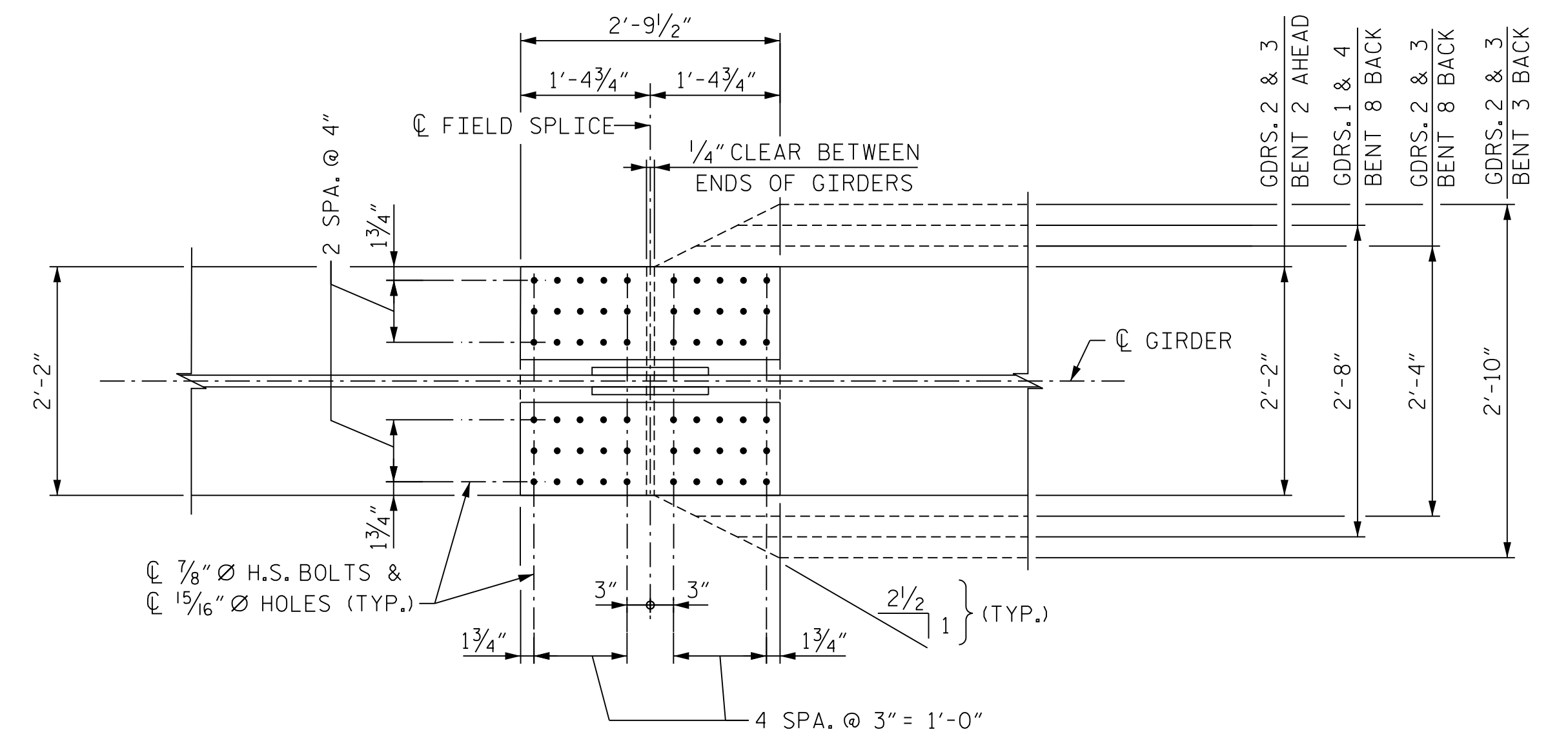


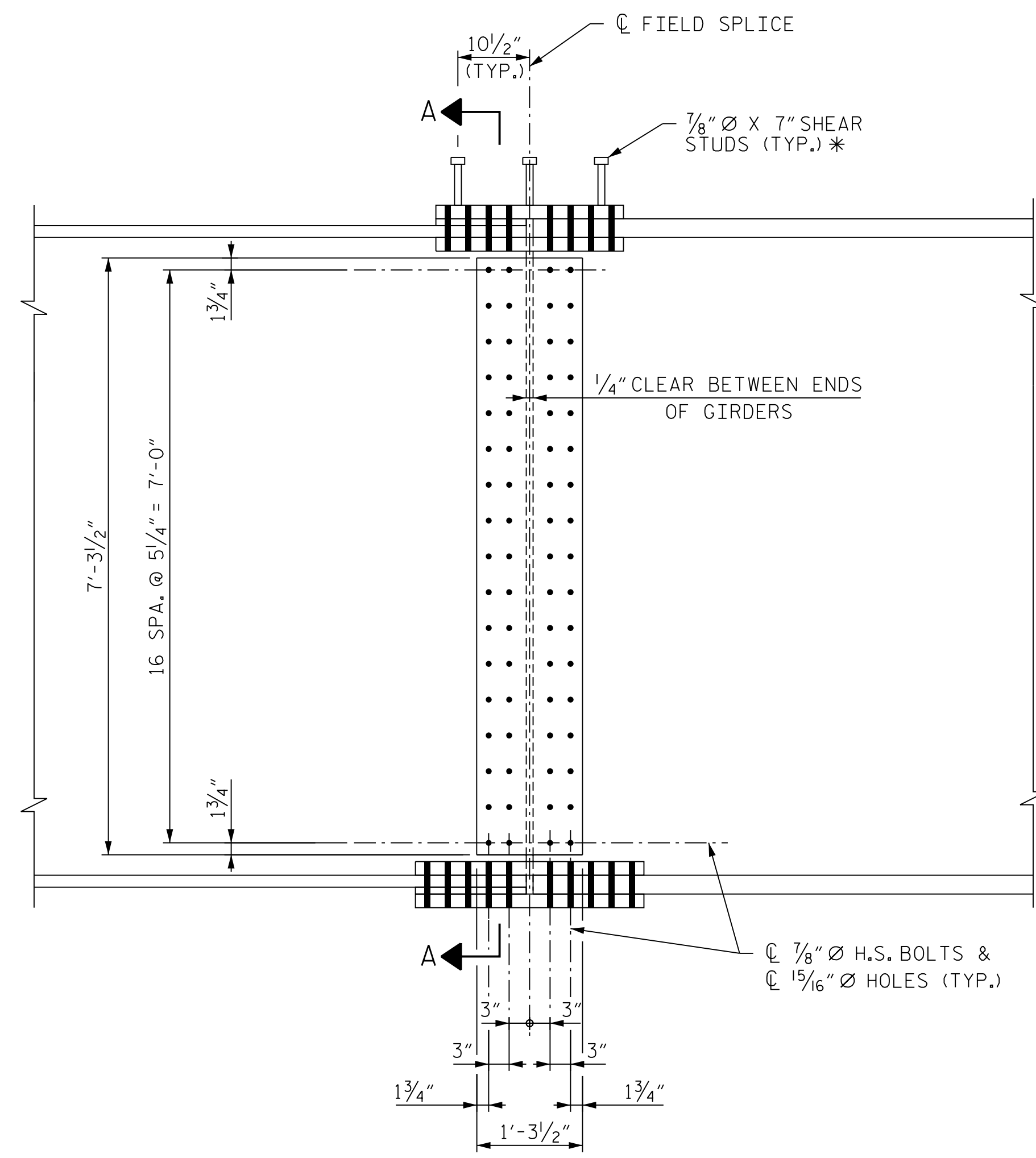
**PLAN (TOP OF TOP FLANGE)**

(STUDS NOT SHOWN FOR CLARITY)

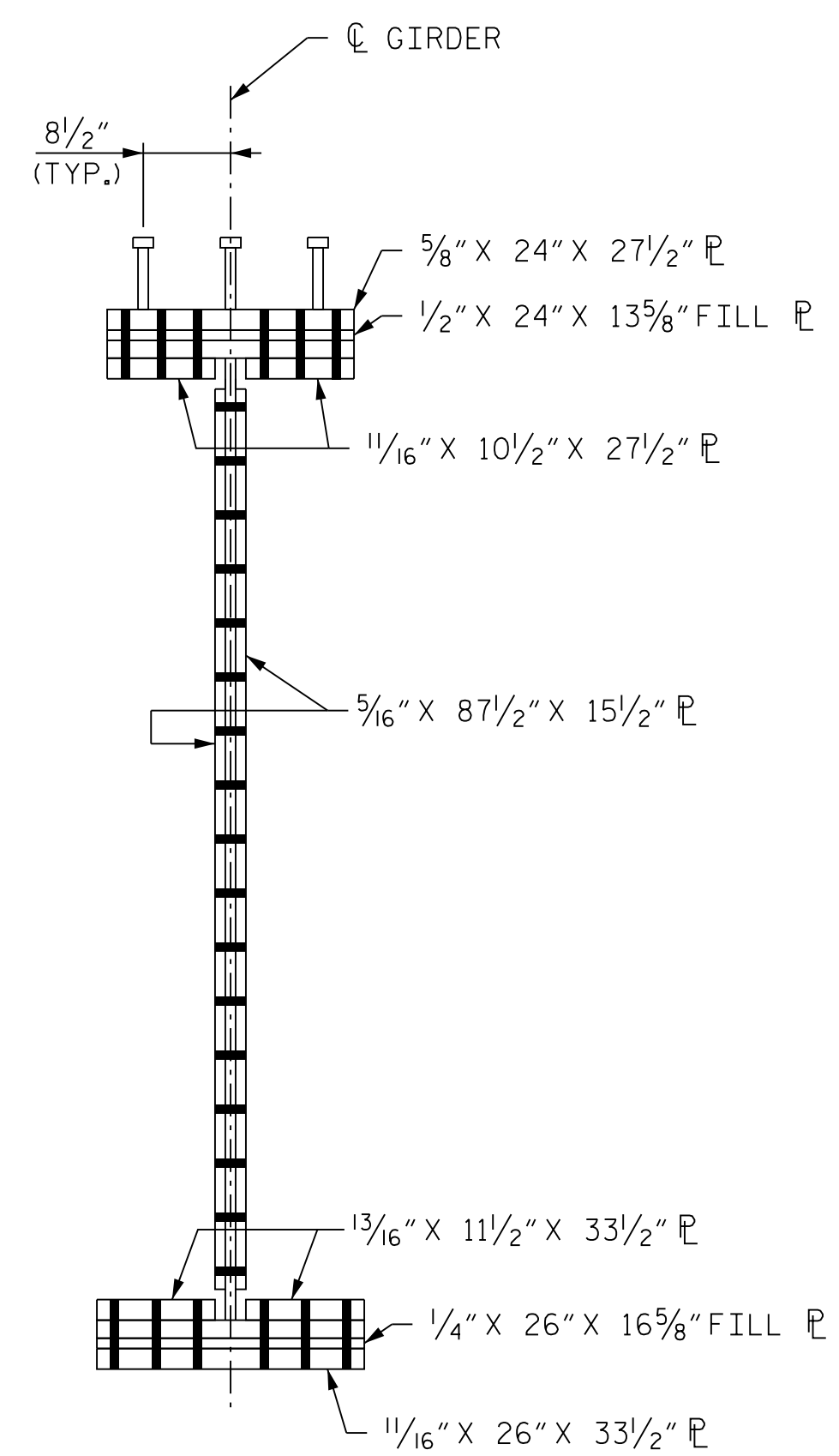
\* = SHEAR STUDS ARE TO BE SHOP WELDED ON TOP OF PLATE BEFORE FIELD ASSEMBLY



**PLAN (TOP OF BOTTOM FLANGE)**



**ELEVATION**



**SECTION A-A**

**NOTE**  
ORIENTATION OF PLAN AND ELEVATION VIEWS MAY VARY BASED ON FIELD SPLICE LOCATION

PROJECT NO. U-2579AB  
FORSYTH COUNTY  
STATION: 60+66.06 -Y15FLYAC-

SHEET 8 OF 19

STATE OF NORTH CAROLINA  
DEPARTMENT OF TRANSPORTATION  
RALEIGH

**SUPERSTRUCTURE  
BOLTED FIELD SPLICE  
DETAILS - TYPE "H"**



*Dominic A. Colletti* 10/15/2021

REVISIONS

NO.	BY:	DATE:	NO.	BY:	DATE:
1	--	--	3	--	--
2	--	--	4	--	--

SHEET NO. S04-048  
TOTAL SHEETS 144



**DOCUMENT NOT CONSIDERED FINAL  
UNLESS ALL SIGNATURES COMPLETED**

PLOT DRIVER: NCDOT\_pdf\_color\_eng-50.ppt  
USER: PPETERSO DATE: 10/14/2021  
PENTABLE: NCDOT\_STRUCTURES\_DEFAULT\_PEN.tbl  
TIME: 4:01:49 PM  
FILE: ... \SUPERS

DES BY: <u>G. SCHMITZ</u>	DATE: <u>07/19</u>	DWG BY: <u>B. PETERSON</u>	DATE: <u>07/19</u>
DES CHK: <u>D. OLDS</u>	DATE: <u>08/19</u>	CHK BY: <u>T. ANDREWS</u>	DATE: <u>10/19</u>