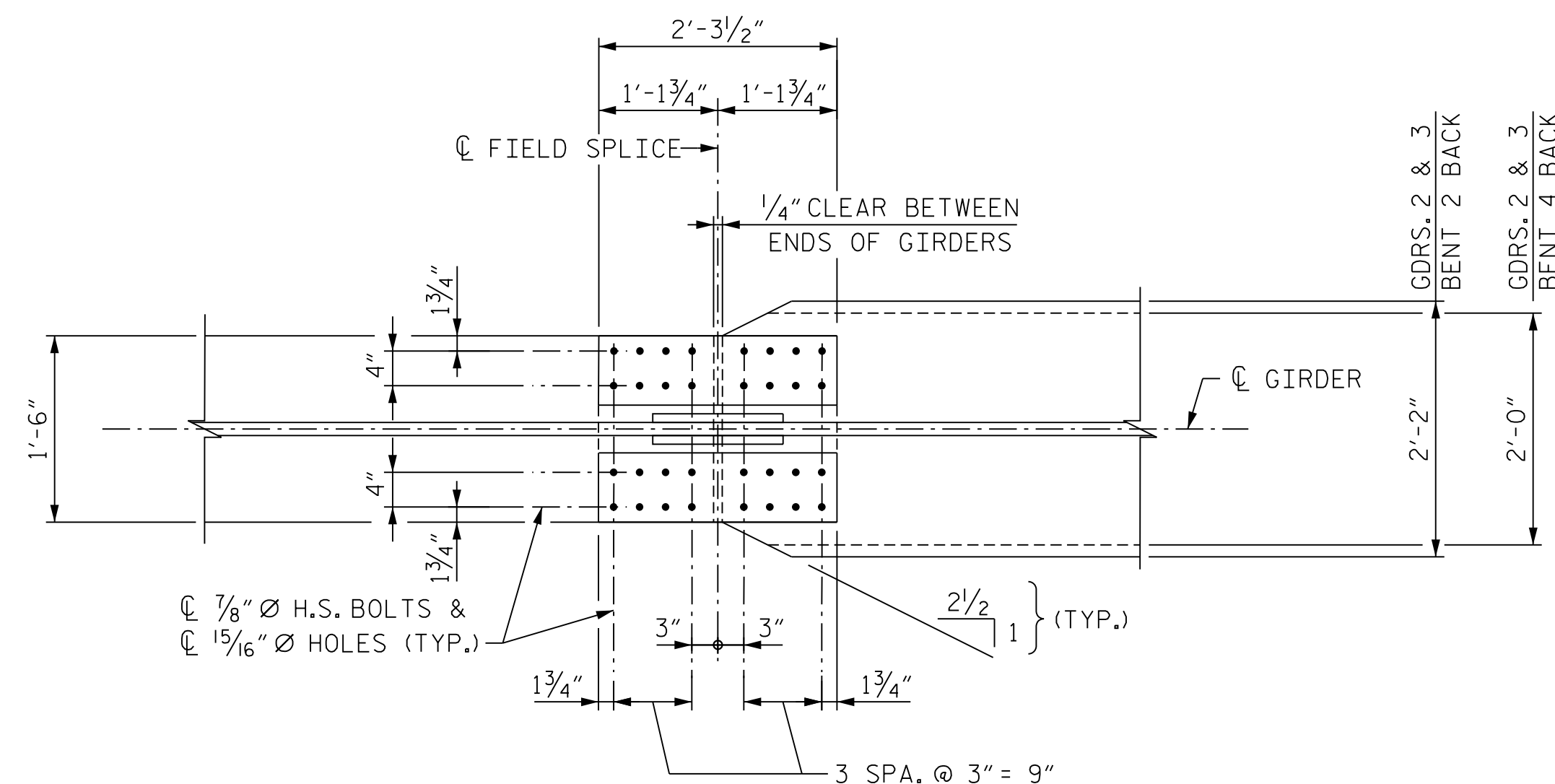
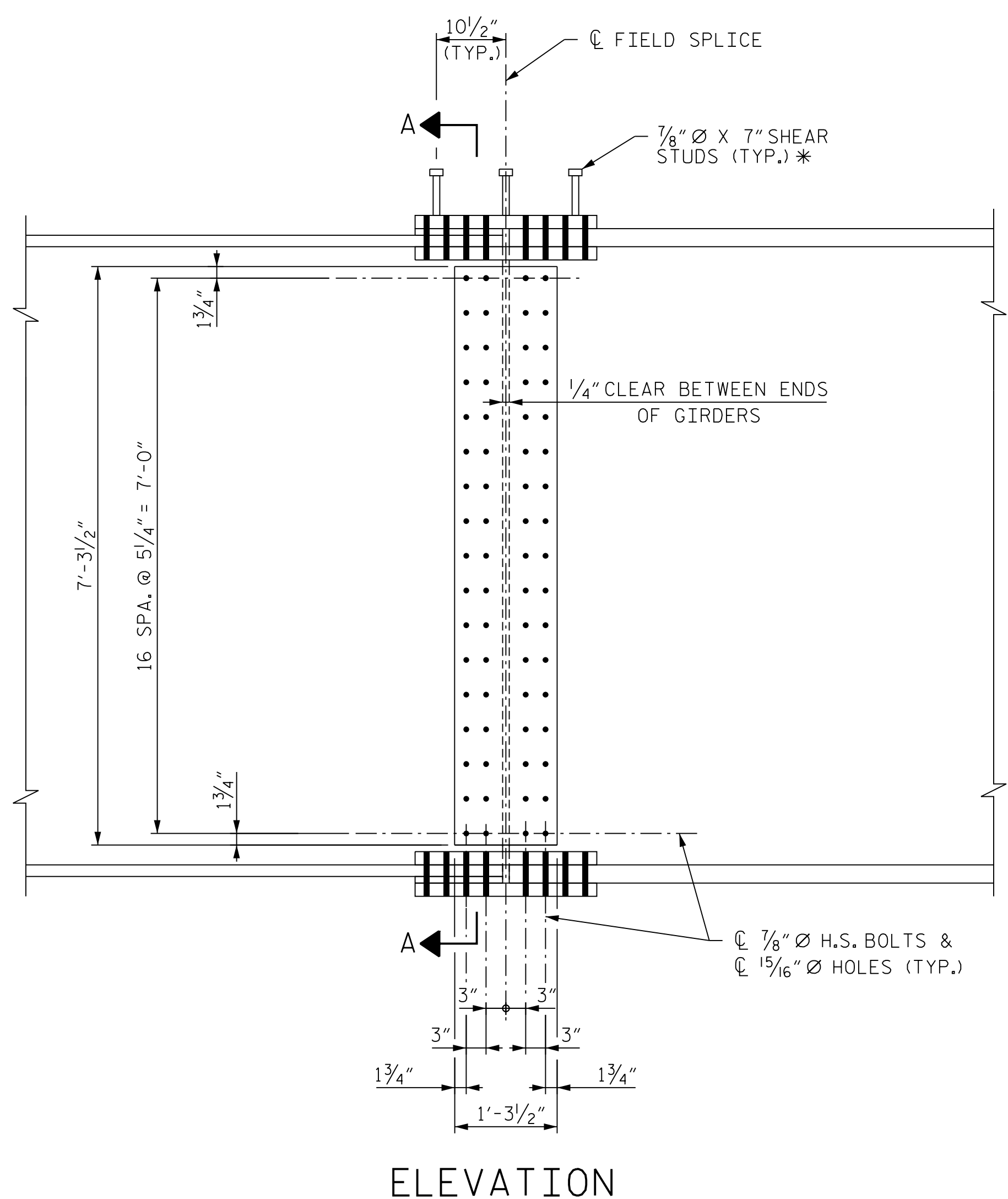


PLAN (TOP OF TOP FLANGE)
(STUDS NOT SHOWN FOR CLARITY)

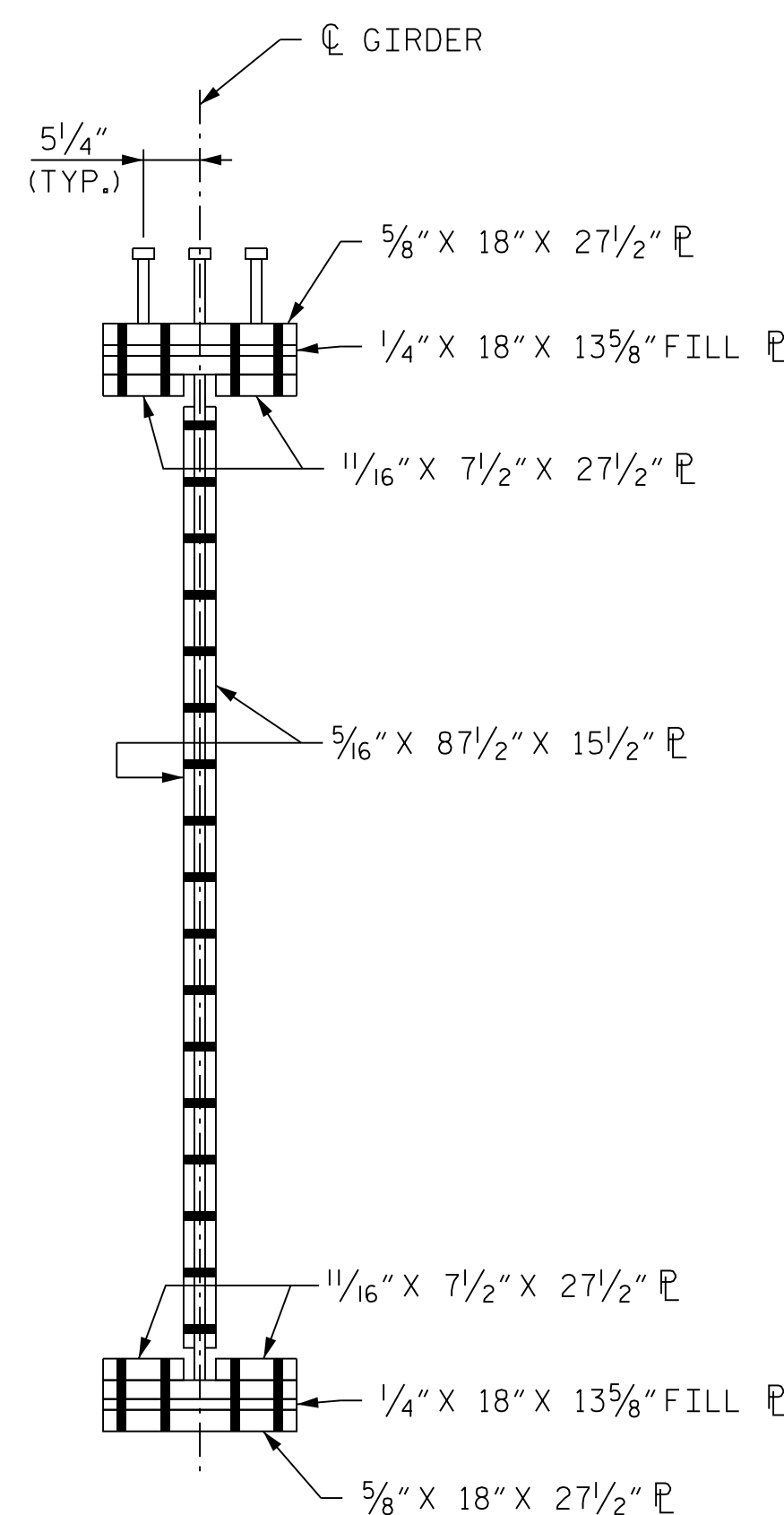
* = SHEAR STUDS ARE TO BE SHOP WELDED ON TOP OF PLATE BEFORE FIELD ASSEMBLY



PLAN (TOP OF BOTTOM FLANGE)



ELEVATION



SECTION A-A

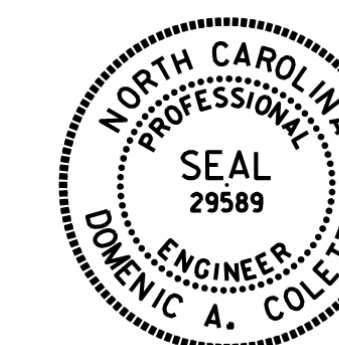
NOTE
ORIENTATION OF PLAN AND ELEVATION VIEWS MAY VARY BASED ON FIELD SPLICE LOCATION

PROJECT NO. U-2579AB
FORSYTH COUNTY
STATION: 60+66.06 -Y15FLYAC-

SHEET 7 OF 19

STATE OF NORTH CAROLINA
DEPARTMENT OF TRANSPORTATION
RALEIGH

**SUPERSTRUCTURE
BOLTED FIELD SPLICE
DETAILS - TYPE "G"**



Domenic A. Colletti 10/15/2021

REVISIONS

NO.	BY:	DATE:	NO.	BY:	DATE:
1	--	--	3	--	--
2	--	--	4	--	--

SHEET NO. SO4-047
TOTAL SHEETS 144



**DOCUMENT NOT CONSIDERED FINAL
UNLESS ALL SIGNATURES COMPLETED**

PLOT DRIVER: NCDOT... PENTABLE: NCDOT... USER: PPETERSO... DATE: 10/14/2021... FILE: ... \SUPERS

DES BY: G. SCHMITZ DATE: 07/19 DWG BY: B. PETERSON DATE: 07/19
DES CHK: D. OLDS DATE: 08/19 CHK BY: T. ANDREWS DATE: 10/19