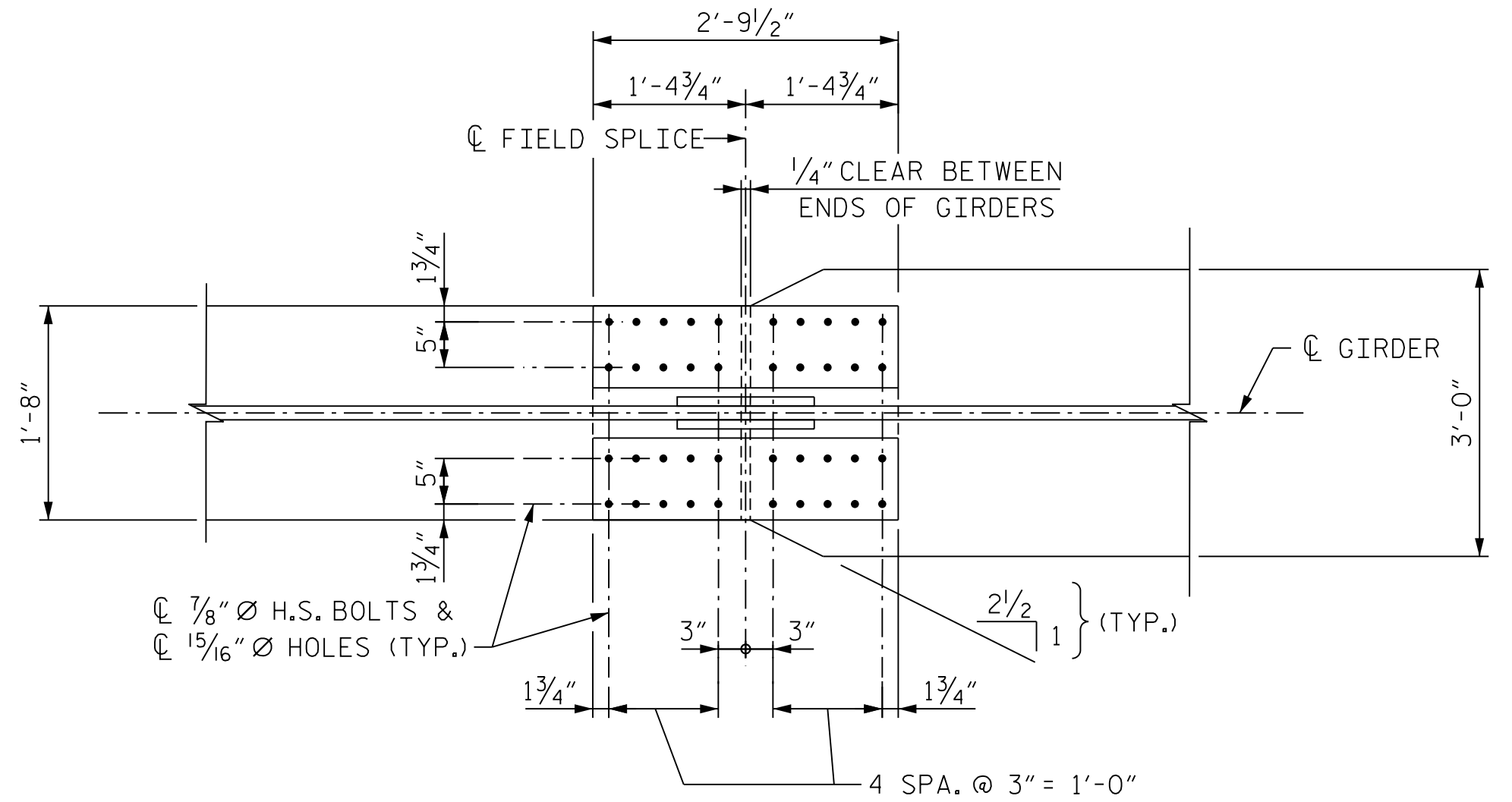
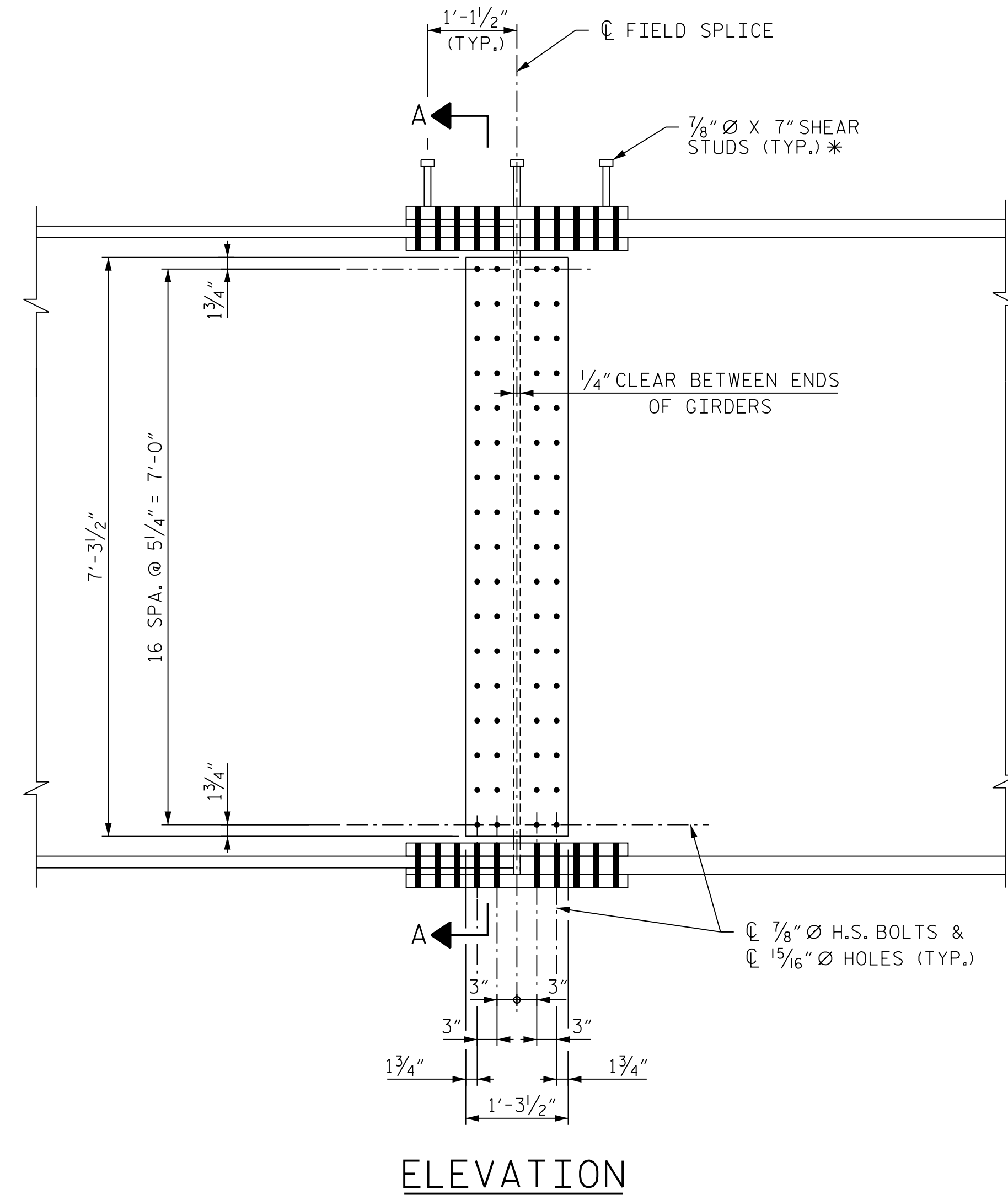


PLAN (TOP OF TOP FLANGE)
(STUDS NOT SHOWN FOR CLARITY)

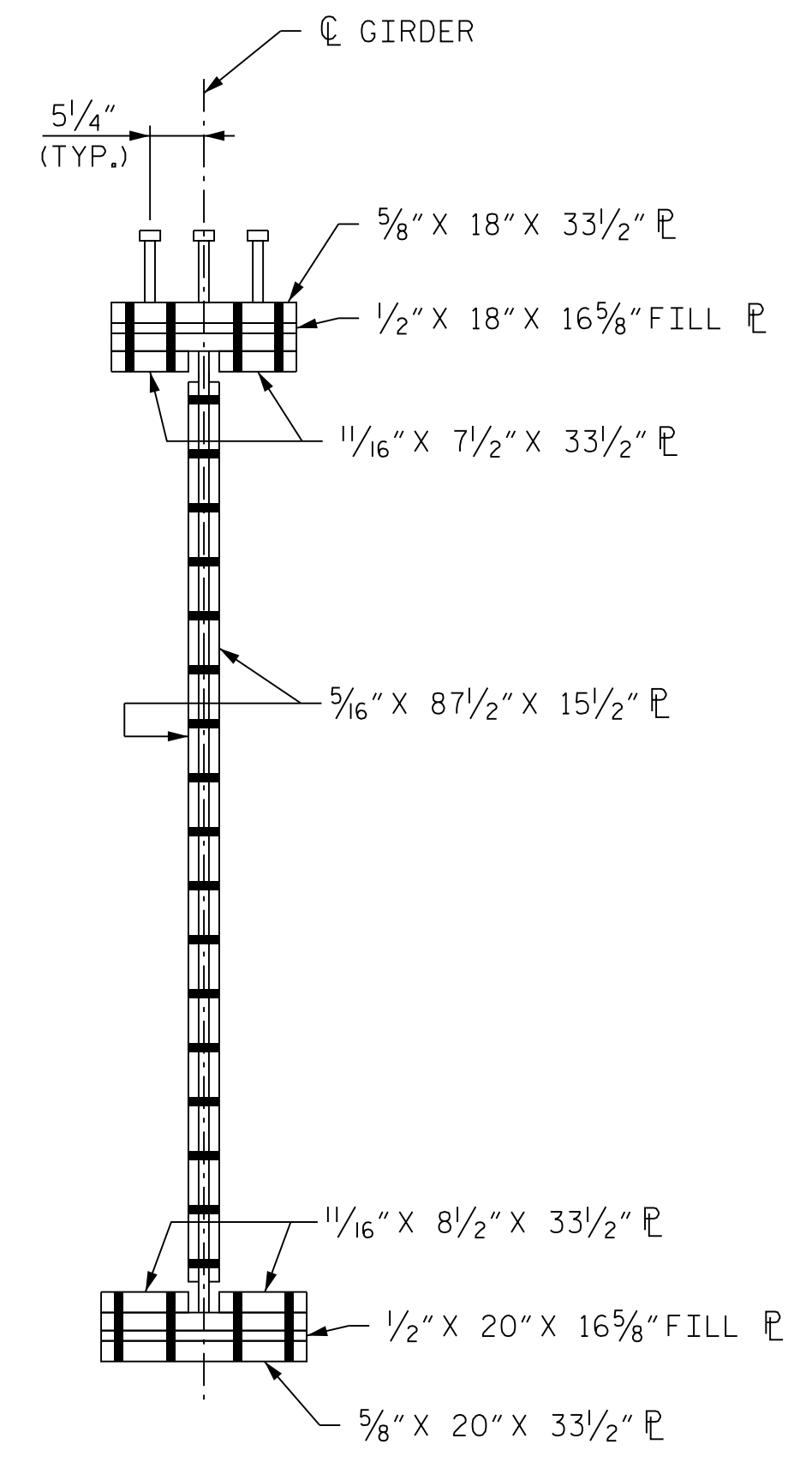
* = SHEAR STUDS ARE TO BE SHOP WELDED ON TOP OF PLATE BEFORE FIELD ASSEMBLY



PLAN (TOP OF BOTTOM FLANGE)



ELEVATION

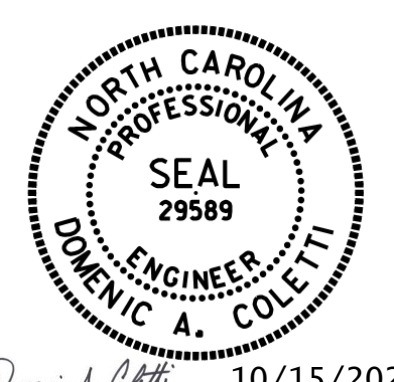


SECTION A-A

NOTE
ORIENTATION OF PLAN AND ELEVATION VIEWS MAY VARY BASED ON FIELD SPLICE LOCATION

PROJECT NO. U-2579AB
FORSYTH COUNTY
 STATION: 60+66.06 -Y15FLYAC-

SHEET 4 OF 19

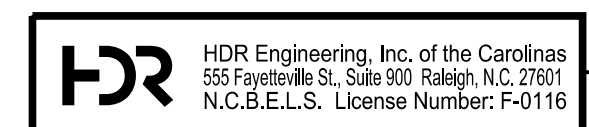


10/15/2021

STATE OF NORTH CAROLINA
 DEPARTMENT OF TRANSPORTATION
 RALEIGH

**SUPERSTRUCTURE
 BOLTED FIELD SPLICE
 DETAILS - TYPE "D"**

REVISIONS						SHEET NO. S04-044 TOTAL SHEETS 144
NO.	BY:	DATE:	NO.	BY:	DATE:	
1	--	--	3	--	--	
2	--	--	4	--	--	



HDR Engineering, Inc. of the Carolinas
 555 Fayetteville St., Suite 900 Raleigh, N.C. 27601
 N.C.B.E.L.S. License Number: F-0116

**DOCUMENT NOT CONSIDERED FINAL
 UNLESS ALL SIGNATURES COMPLETED**

PLOT DRIVER: NCDOT... PENTABLE: NCDOT... USER: PPETERSO... FILE: ...SUPERS

DES BY: <u>G. SCHMITZ</u>	DATE: <u>07/19</u>	DWG BY: <u>B. PETERSON</u>	DATE: <u>07/19</u>
DES CHK: <u>D. OLDS</u>	DATE: <u>08/19</u>	CHK BY: <u>T. ANDREWS</u>	DATE: <u>10/19</u>