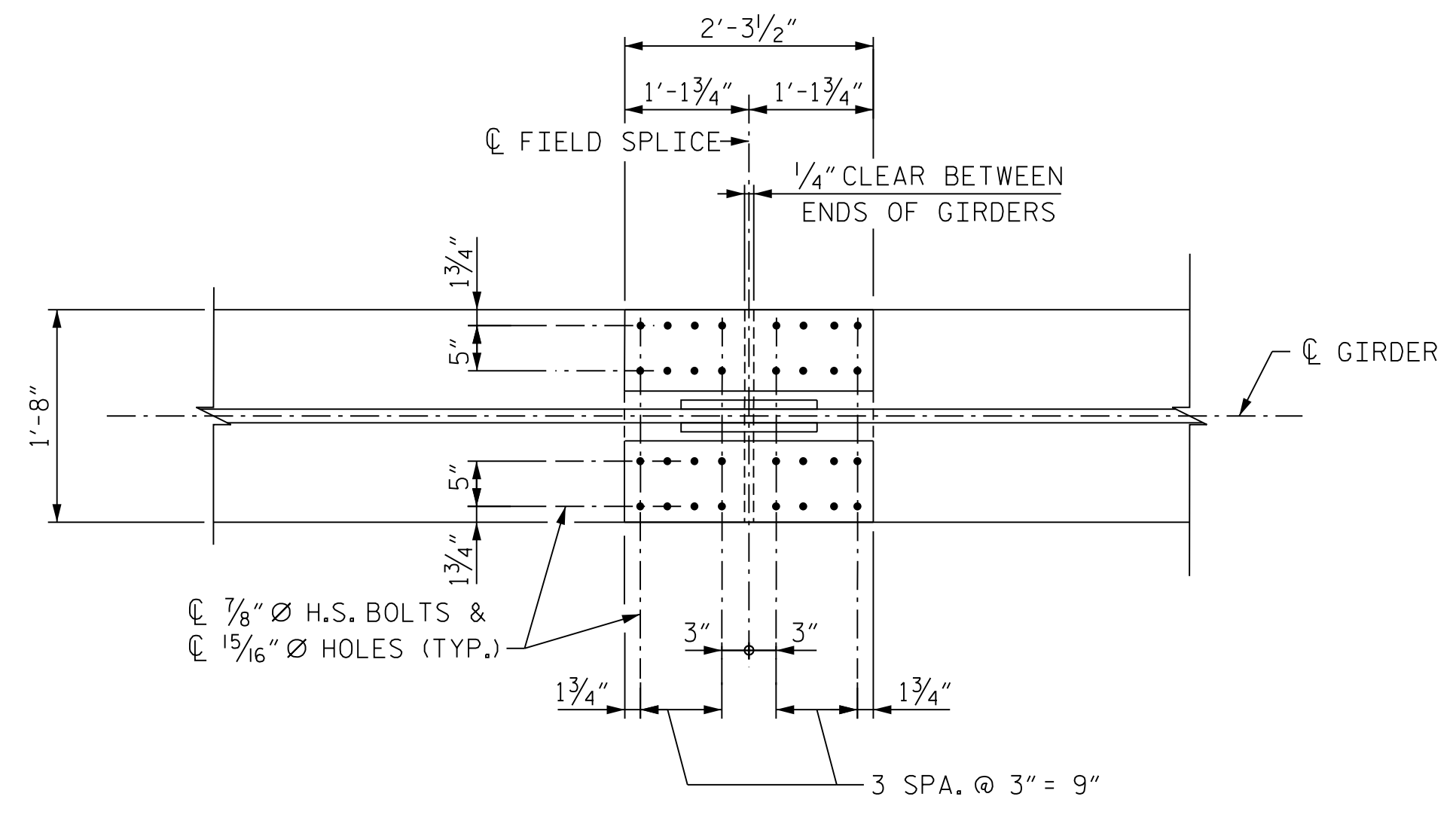


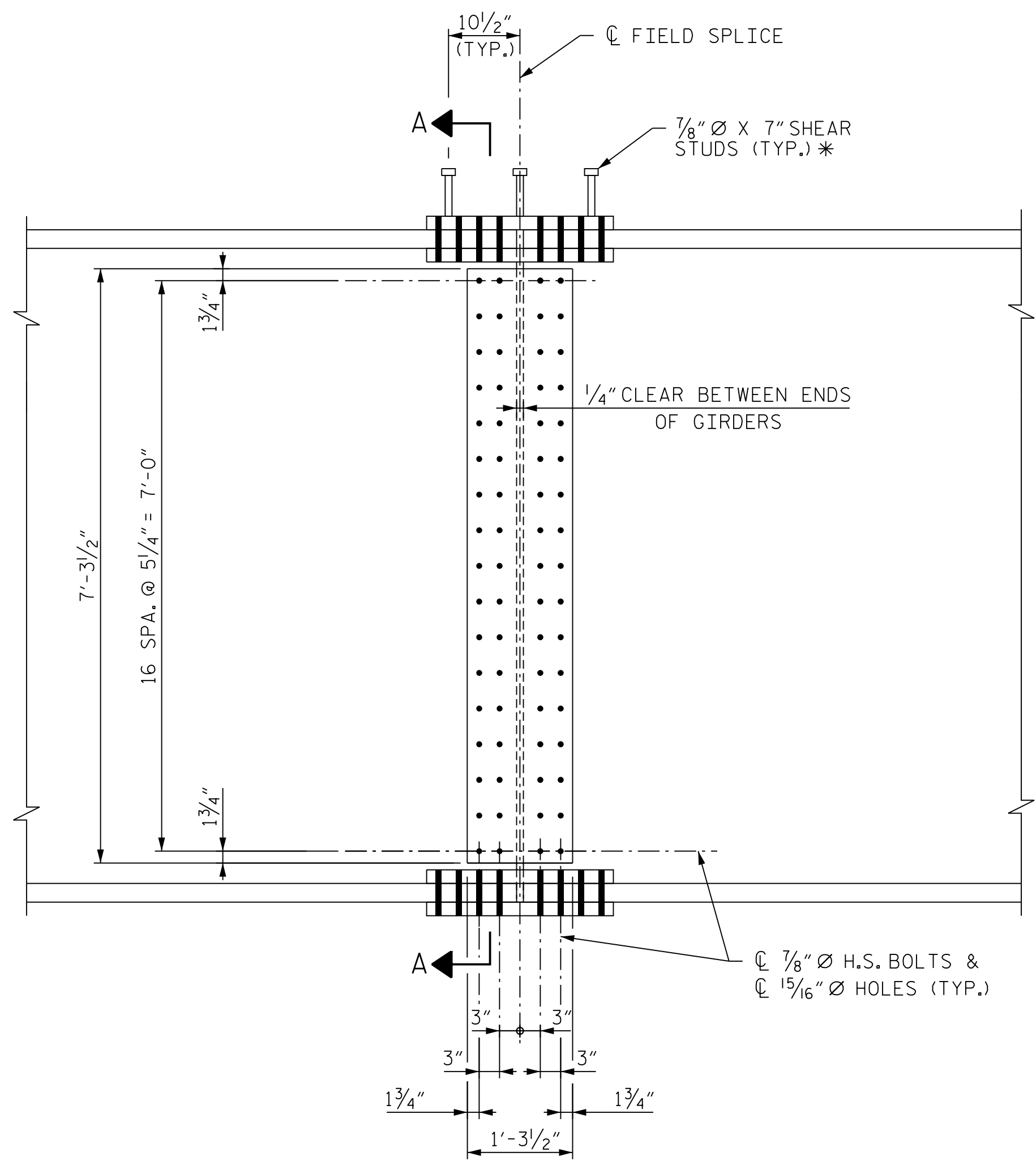
PLAN (TOP OF TOP FLANGE)

(STUDS NOT SHOWN FOR CLARITY)

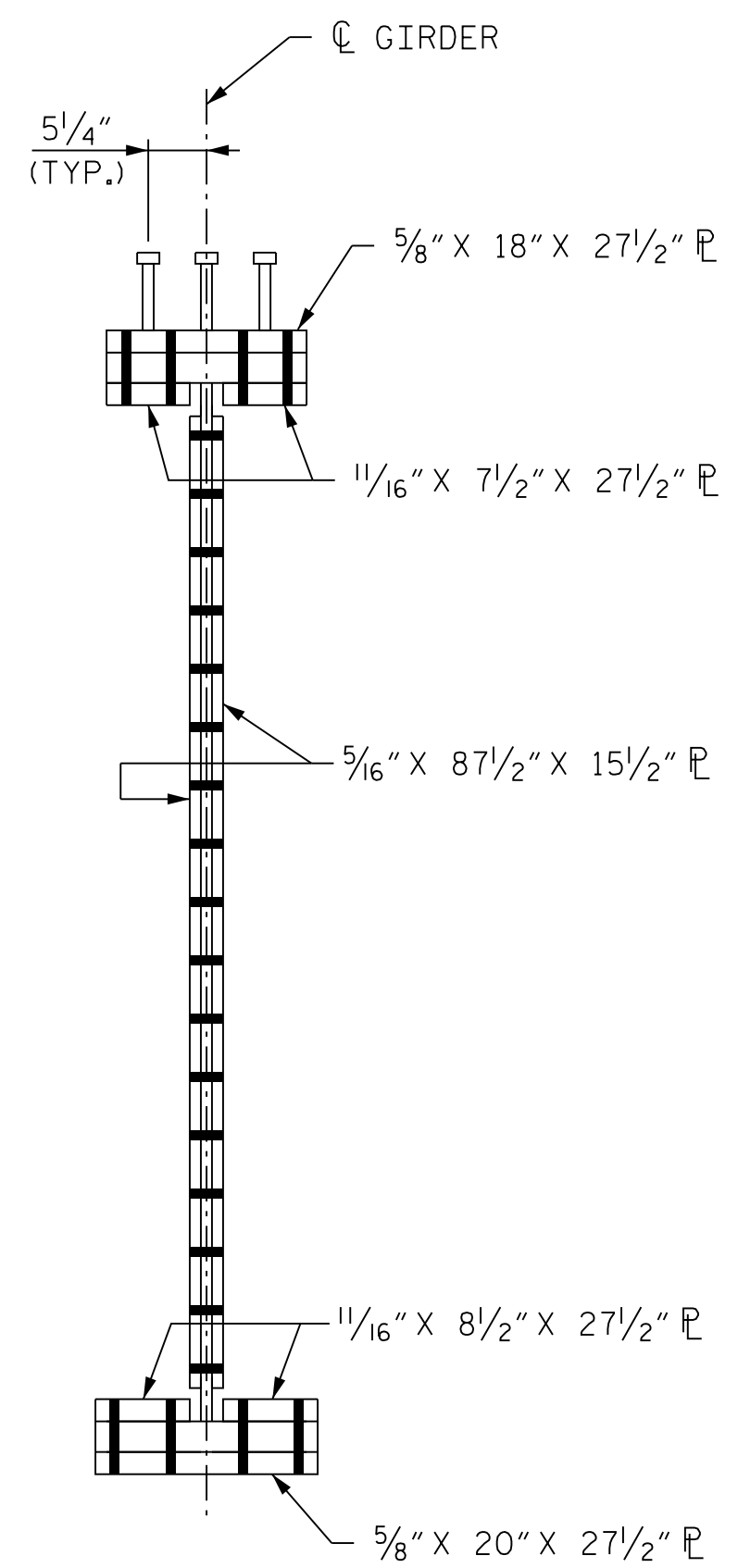
* = SHEAR STUDS ARE TO BE SHOP WELDED ON TOP OF PLATE BEFORE FIELD ASSEMBLY



PLAN (TOP OF BOTTOM FLANGE)



ELEVATION



SECTION A-A

NOTE
ORIENTATION OF PLAN AND ELEVATION VIEWS MAY VARY BASED ON FIELD SPLICE LOCATION

PROJECT NO. U-2579AB
FORSYTH COUNTY
STATION: 60+66.06 -Y15FLYAC-

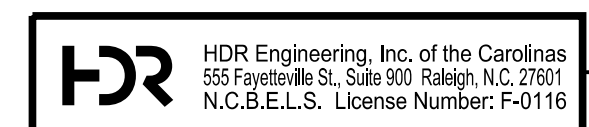
SHEET 1 OF 19



10/15/2021

STATE OF NORTH CAROLINA
DEPARTMENT OF TRANSPORTATION
RALEIGH
**SUPERSTRUCTURE
BOLTED FIELD SPLICE
DETAILS - TYPE "A"**

REVISIONS						SHEET NO.	
NO.	BY:	DATE:	NO.	BY:	DATE:	S04-041	
1	--	--	3	--	--	TOTAL SHEETS	
2	--	--	4	--	--	144	



**DOCUMENT NOT CONSIDERED FINAL
UNLESS ALL SIGNATURES COMPLETED**

PLOT DRIVER: NCDOT... PENTABLE: NCDOT STRUCTURES DEFAULT PEN.tbl
USER: PPETERSO DATE: 10/14/2021 TIME: 4:01:40 PM
FILE: ... \SUPERS

DES BY: <u>G. SCHMITZ</u>	DATE: <u>07/19</u>	DWG BY: <u>B. PETERSON</u>	DATE: <u>07/19</u>
DES CHK: <u>D. OLDS</u>	DATE: <u>08/19</u>	CHK BY: <u>T. ANDREWS</u>	DATE: <u>10/19</u>