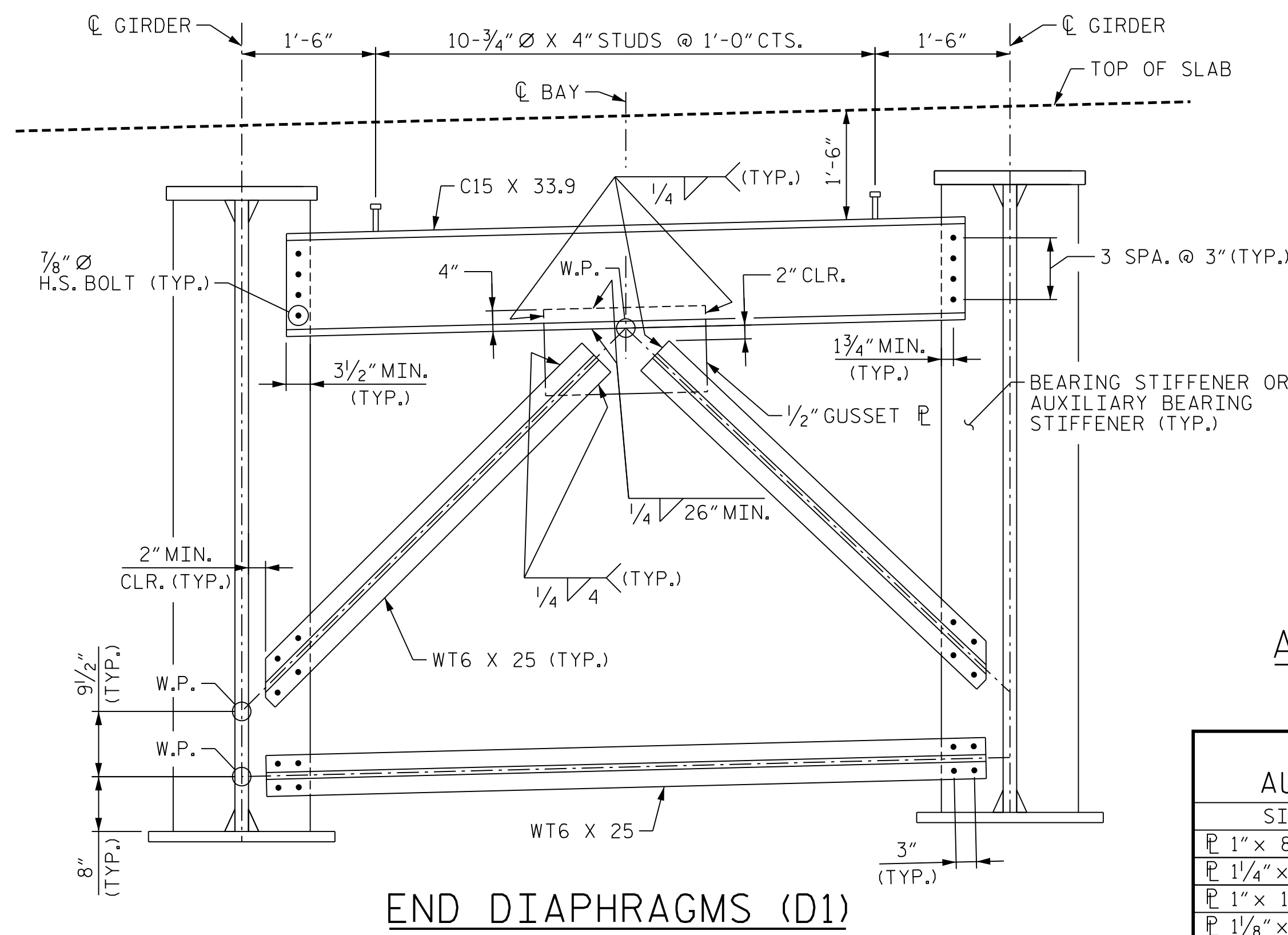
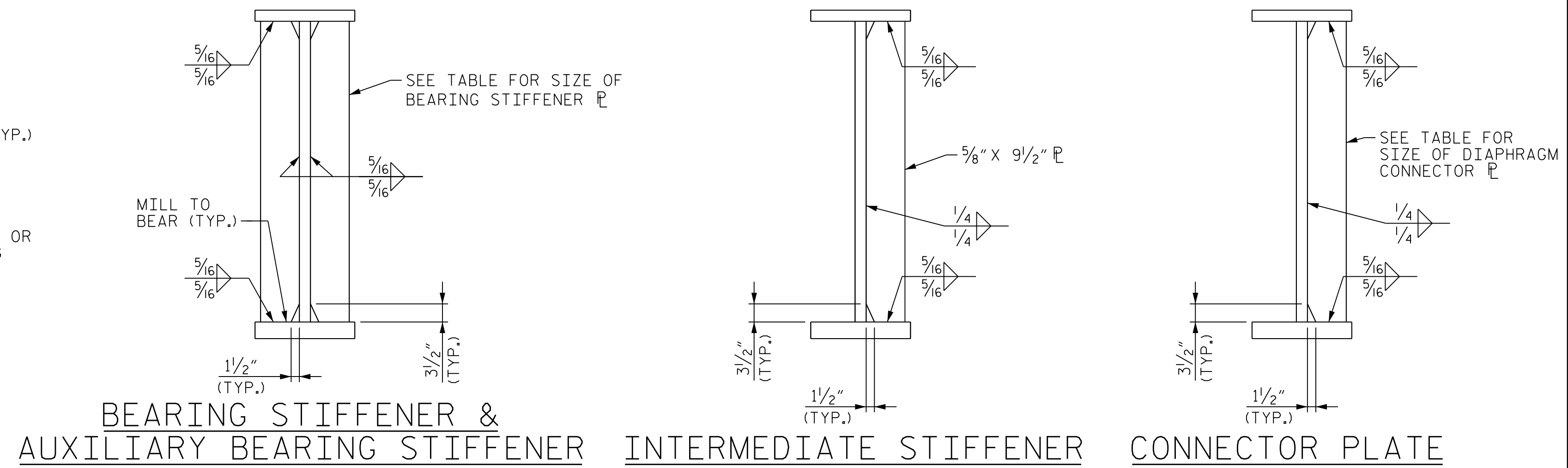


PLOT DRIVER: NCDOT\_pdf\_color\_eng-50.ppt  
 USER: PETERSON DATE: 10/14/2021  
 FILE: ... \SUPERS  
 PENTABLE: NCDOT\_STRUCTURES\_DEFAULT\_PEN.tbl  
 TIME: 4:01:25 PM



**END DIAPHRAGMS (D1)**



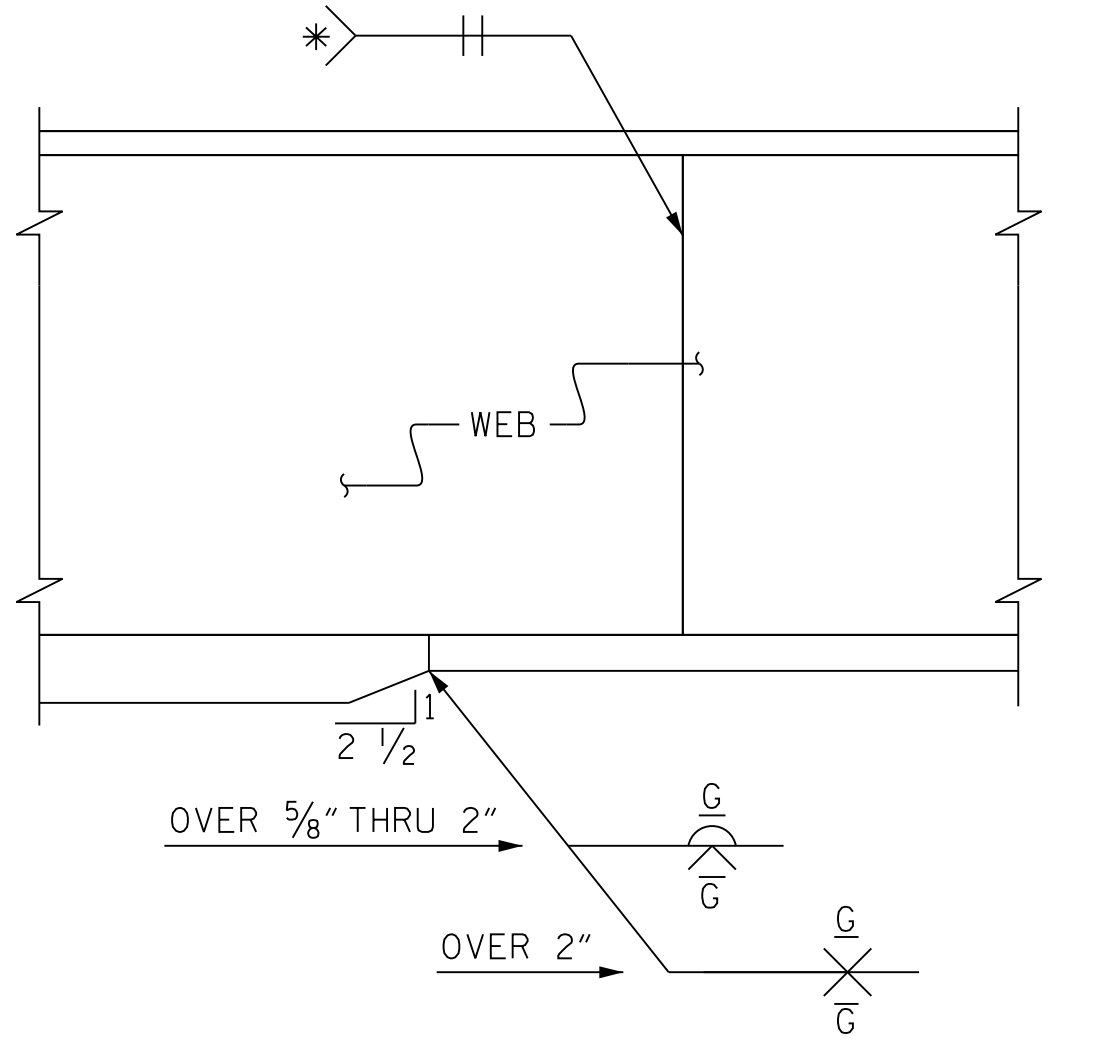
**BEARING STIFFENER & AUXILIARY BEARING STIFFENER**    **INTERMEDIATE STIFFENER**    **CONNECTOR PLATE**

NOTE: BEARING STIFFENER MAY REQUIRE COPING IF WIDER THAN BOT. FLANGE

BEARING STIFFENERS & AUXILIARY BEARING STIFFENERS	
SIZE	LOCATIONS *
P 1" x 8 1/2"	END BENT 1, BENT 1
P 1 1/4" x 11 1/2"	BENTS 2 & 4
P 1" x 10 1/2"	BENT 5 BK
P 1 1/8" x 10"	BENT 5 AH, BENTS 6 & 9, END BENT 2
P 1 3/8" x 15"	BENT 7
P 1 1/4" x 13"	BENT 8

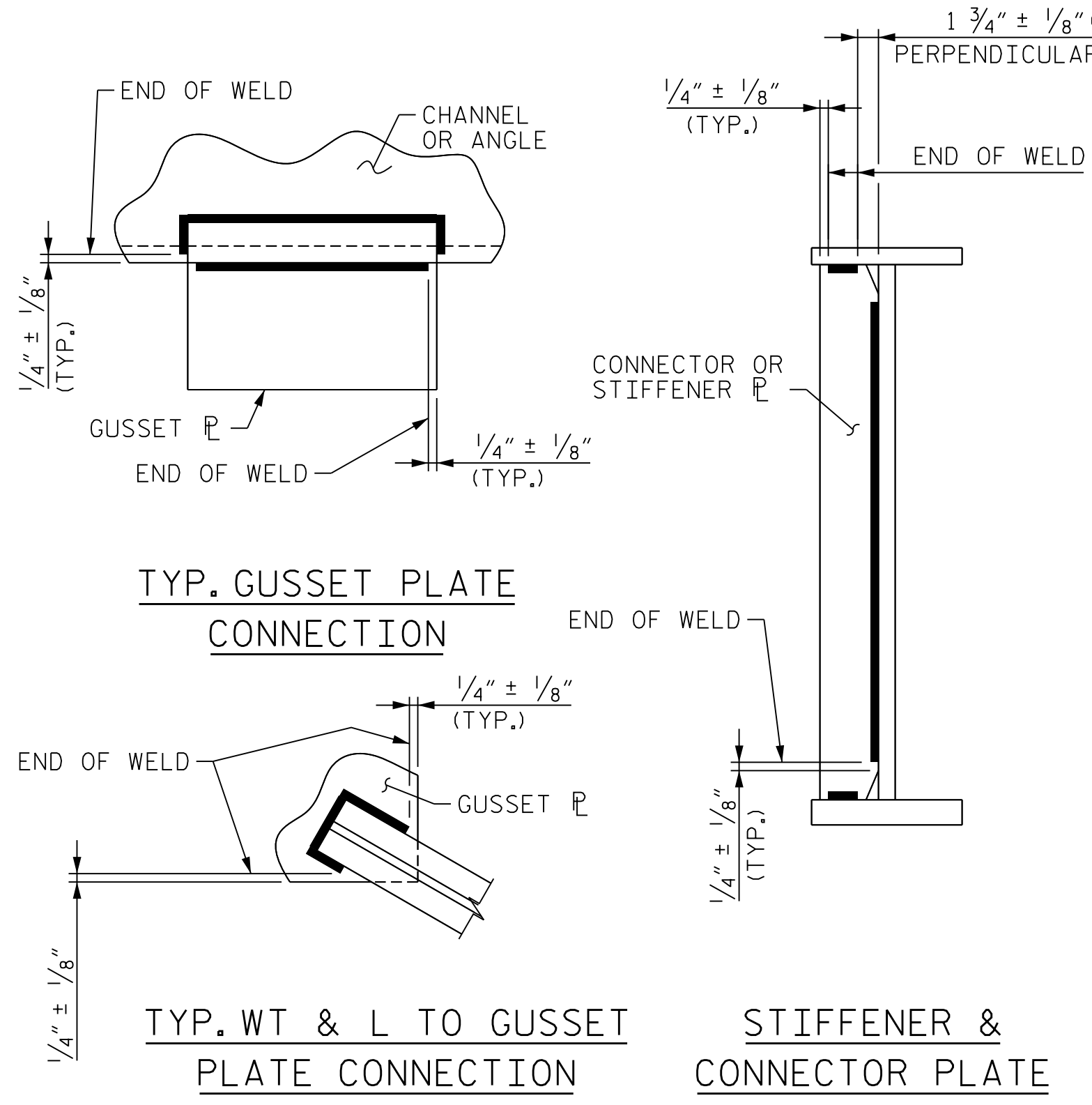
DIAPHRAGM CONNECTOR PLATES	
MAXIMUM FLANGE PLATE WIDTH	MIN. SIZE
≤ 34"	5/8" x 8 1/2"
36" & 38"	5/8" x 9 1/2"

\* NOTE: BK = BACK STATION  
AH = AHEAD STATION

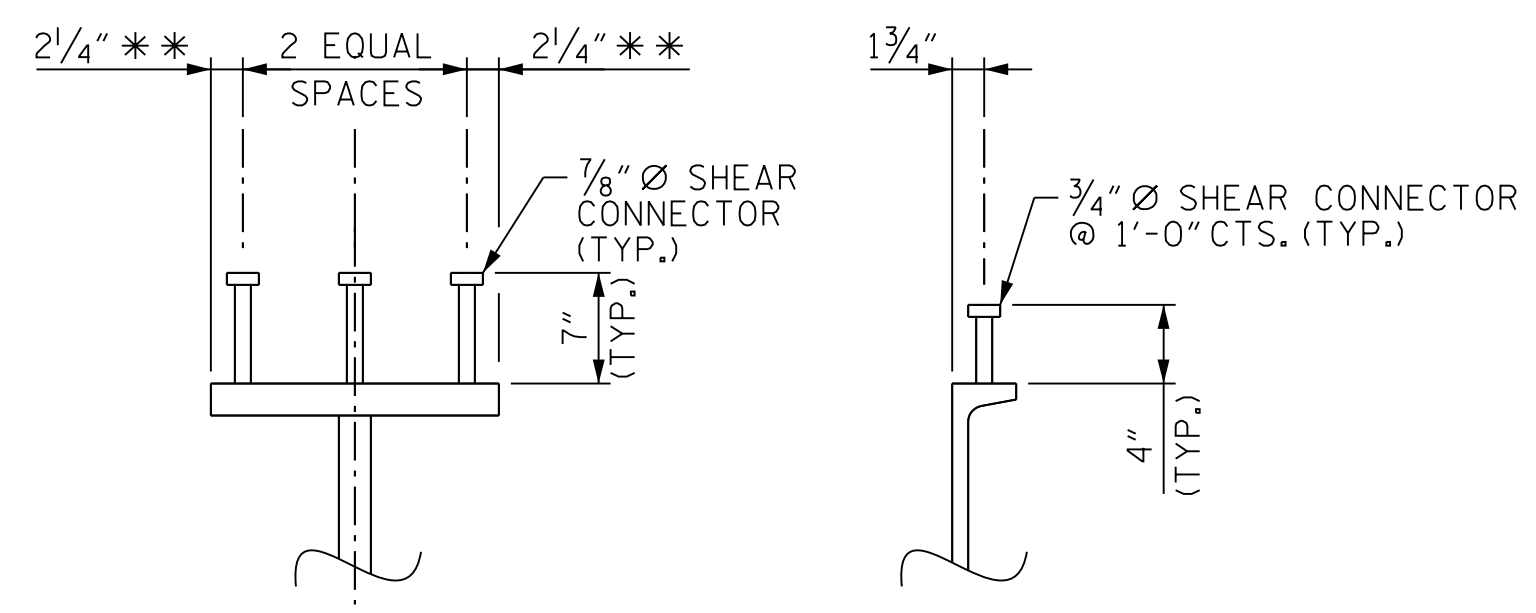


**TYPICAL FLANGE AND WEB BUTT JOINT SHOP SPLICE DETAILS**

\* GRIND SMOOTH AND FLUSH ON OUTER FACE OF EXTERIOR BEAMS/ GIRDERS.



**WELD TERMINATION DETAILS**



**GIRDER SHEAR CONNECTORS**    **DIAPHRAGM SHEAR CONNECTORS**  
**SHEAR CONNECTOR DETAILS**

\*\* FOR SPACING OF SHEAR CONNECTORS ON TOP PLATE OF FIELD SPLICES, SEE "SUPERSTRUCTURE BOLTED FIELD SPLICE DETAILS" SHEETS.

PROJECT NO. U-2579AB  
 FORSYTH COUNTY  
 STATION: 60+66.06 -Y15FLYAC-

SHEET 1 OF 2

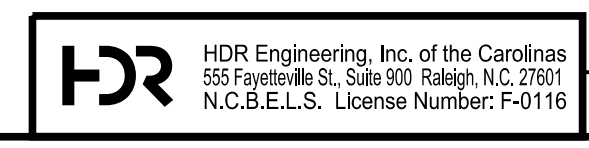
STATE OF NORTH CAROLINA  
 DEPARTMENT OF TRANSPORTATION  
 RALEIGH

**SUPERSTRUCTURE STRUCTURAL STEEL DETAILS**



10/15/2021

DES BY: G. SCHMITZ	DATE: 07/19	DWG BY: B. PETERSON	DATE: 07/19
DES CHK: D. COLETTI	DATE: 08/19	CHK BY: G. SCHMITZ	DATE: 10/19



DOCUMENT NOT CONSIDERED FINAL UNLESS ALL SIGNATURES COMPLETED

REVISIONS						SHEET NO. S04-039 TOTAL SHEETS 144
NO.	BY:	DATE:	NO.	BY:	DATE:	
1	--	--	3	--	--	
2	--	--	4	--	--	