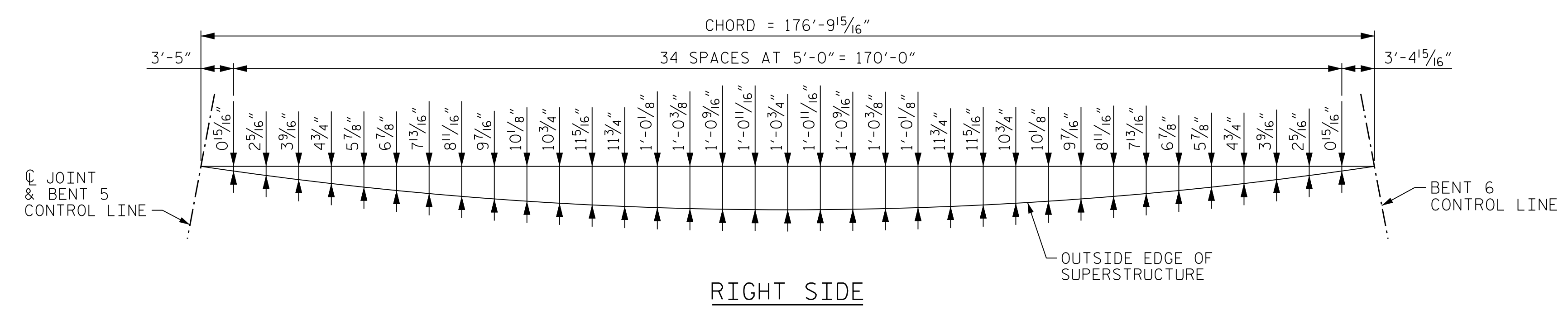
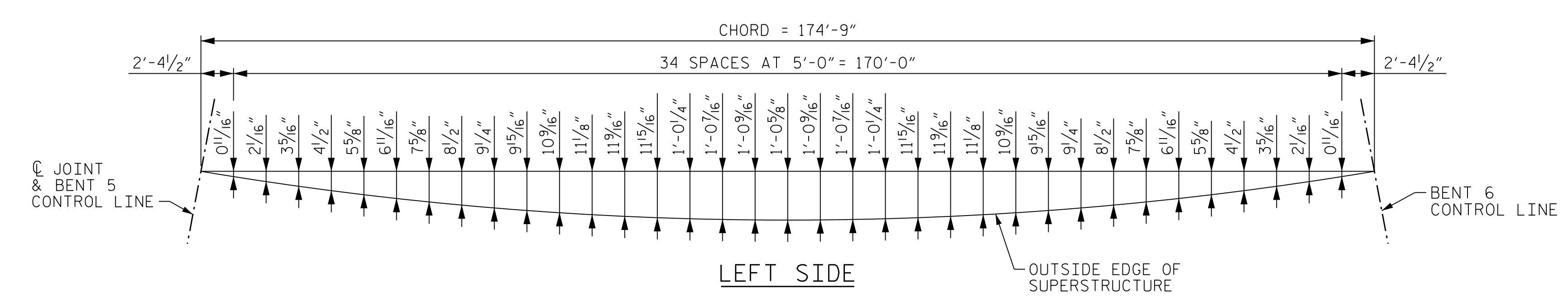


OUTSIDE EDGE ARC OFFSETS - SPAN E



OUTSIDE EDGE ARC OFFSETS - SPAN F

PROJECT NO. U-2579AB
 FORSYTH COUNTY
 STATION: 60+66.06 -Y15FLYAC-
 SHEET 2 OF 4

STATE OF NORTH CAROLINA
 DEPARTMENT OF TRANSPORTATION
 RALEIGH

SUPERSTRUCTURE
 PLAN OF SPANS
 ARC OFFSETS



| REVISIONS | | | | | |
|-----------|-----|-------|-----|-----|-------|
| NO. | BY: | DATE: | NO. | BY: | DATE: |
| 1 | -- | -- | 3 | -- | -- |
| 2 | -- | -- | 4 | -- | -- |

SHEET NO. S04-029
 TOTAL SHEETS 144



10/15/2021
 DOCUMENT NOT CONSIDERED FINAL
 UNLESS ALL SIGNATURES COMPLETED

PLOT DRIVER: NCDOT_pdf_color_eng-50.ppt
 USER: PPETERSO
 FILE: ... \SUPERS

| | | | |
|---------------------|-------------|---------------------|-------------|
| DES BY: B. PETERSON | DATE: 06/19 | DWG BY: B. PETERSON | DATE: 06/19 |
| DES CHK: S. NIFONG | DATE: 06/19 | CHK BY: G. SCHMITZ | DATE: 09/19 |