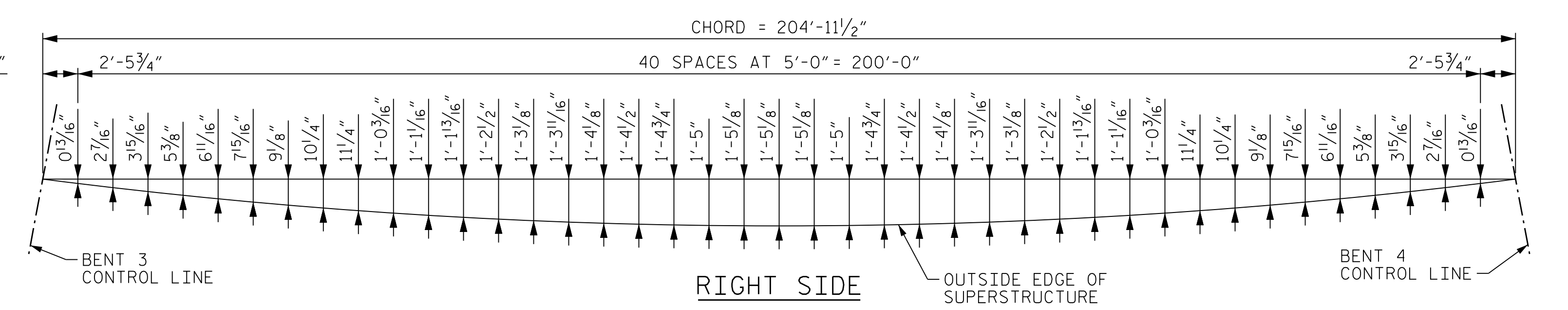
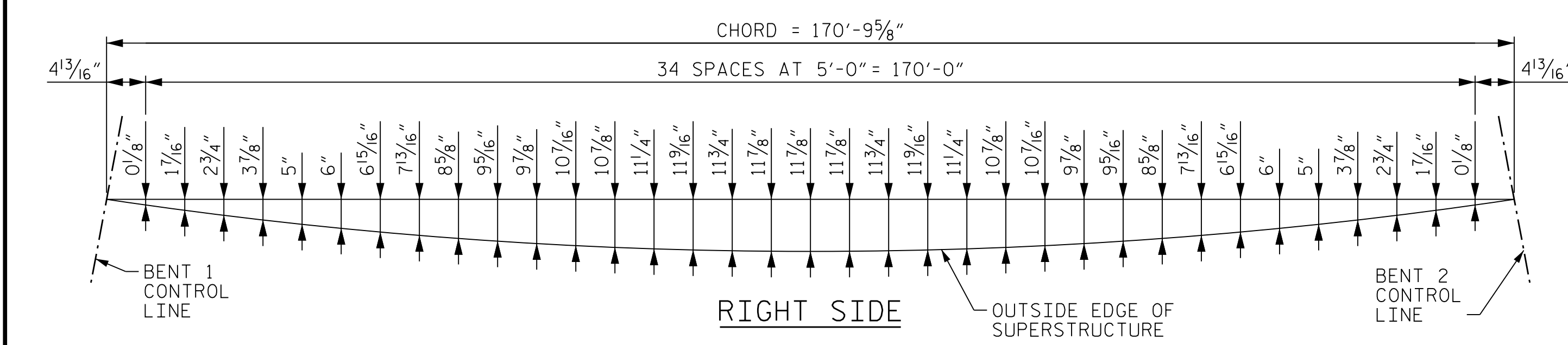
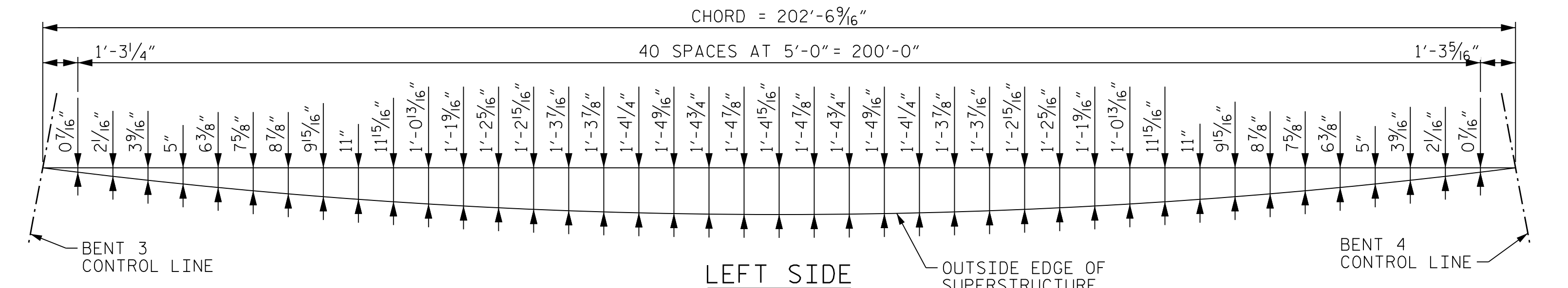
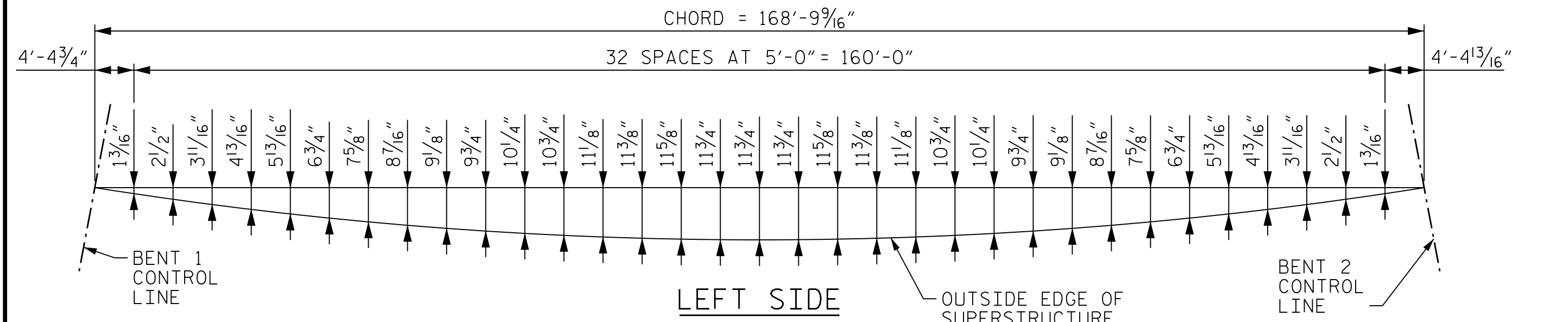


OUTSIDE EDGE ARC OFFSETS - SPAN A

OUTSIDE EDGE ARC OFFSETS - SPAN C



OUTSIDE EDGE ARC OFFSETS - SPAN B

OUTSIDE EDGE ARC OFFSETS - SPAN D

PROJECT NO. U-2579AB

FORSYTH COUNTY

STATION: 60+66.06 -Y15FLYAC-

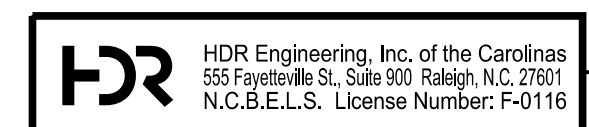
SHEET 1 OF 4



10/15/2021

REVISIONS					
NO.	BY:	DATE:	NO.	BY:	DATE:
1	--	--	3	--	--
2	--	--	4	--	--

DES BY: B. PETERSON	DATE: 06/19	DWG BY: B. PETERSON	DATE: 06/19
DES CHK: S. NIFONG	DATE: 06/19	CHK BY: G. SCHMITZ	DATE: 09/19



DOCUMENT NOT CONSIDERED FINAL UNLESS ALL SIGNATURES COMPLETED

TOTAL SHEETS 144

PLOT DRIVER: NCDOT\_pdf\_color\_eng-50.ppt  
 USER: PPETERSO  
 DATE: 10/14/2021  
 TIME: 4:00:15 PM  
 FILE: ... \SUPERS