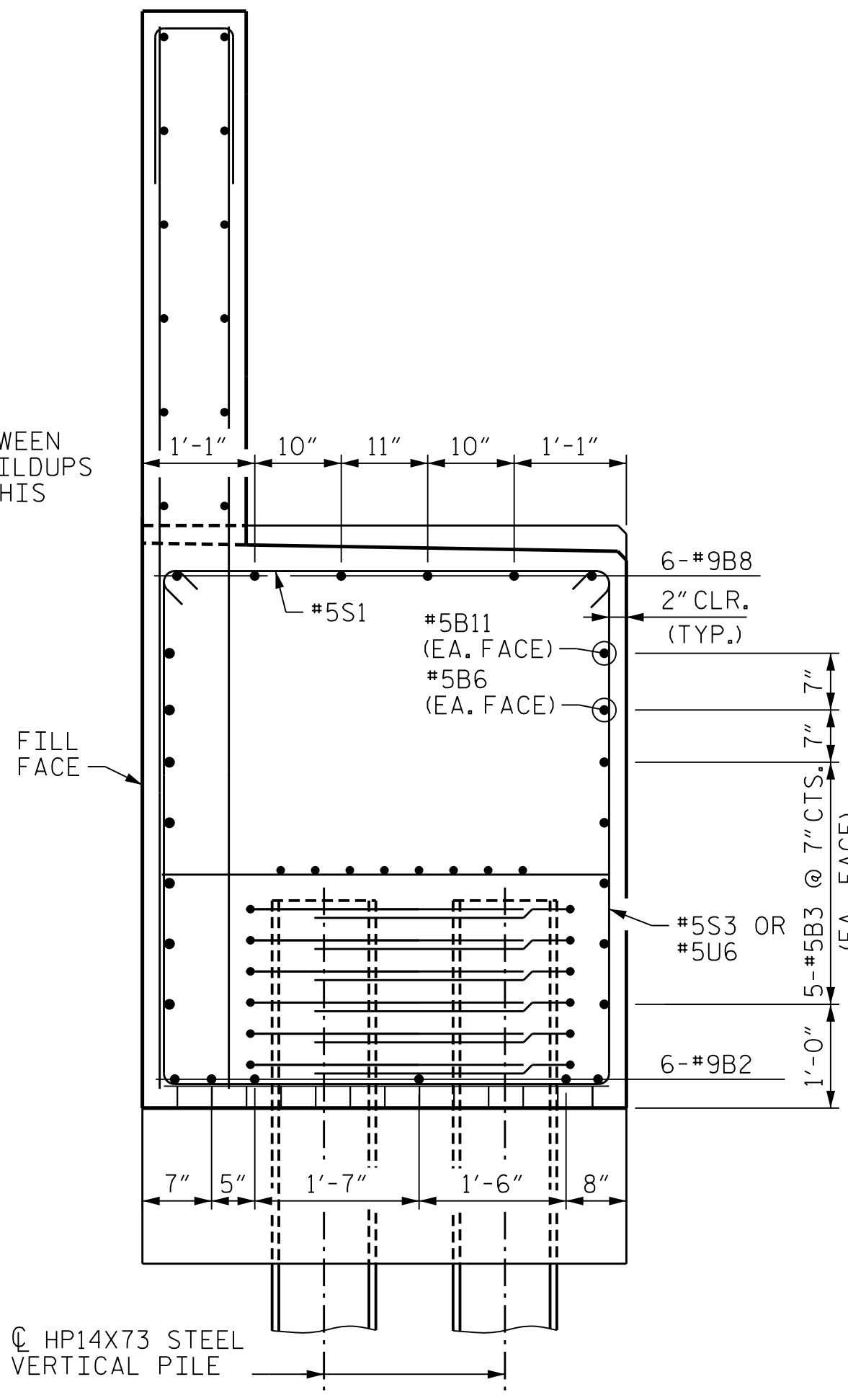
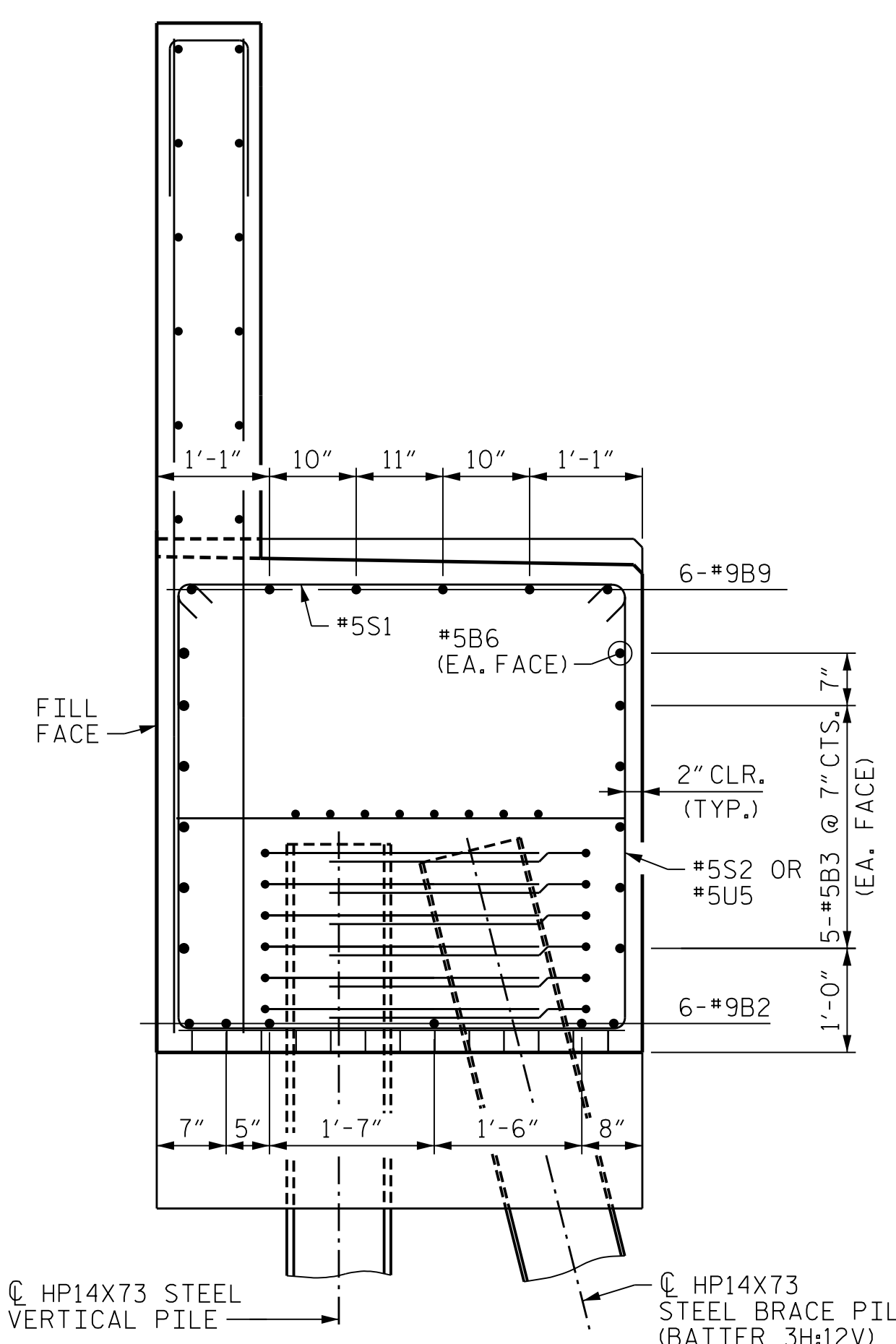


SECTION A-A



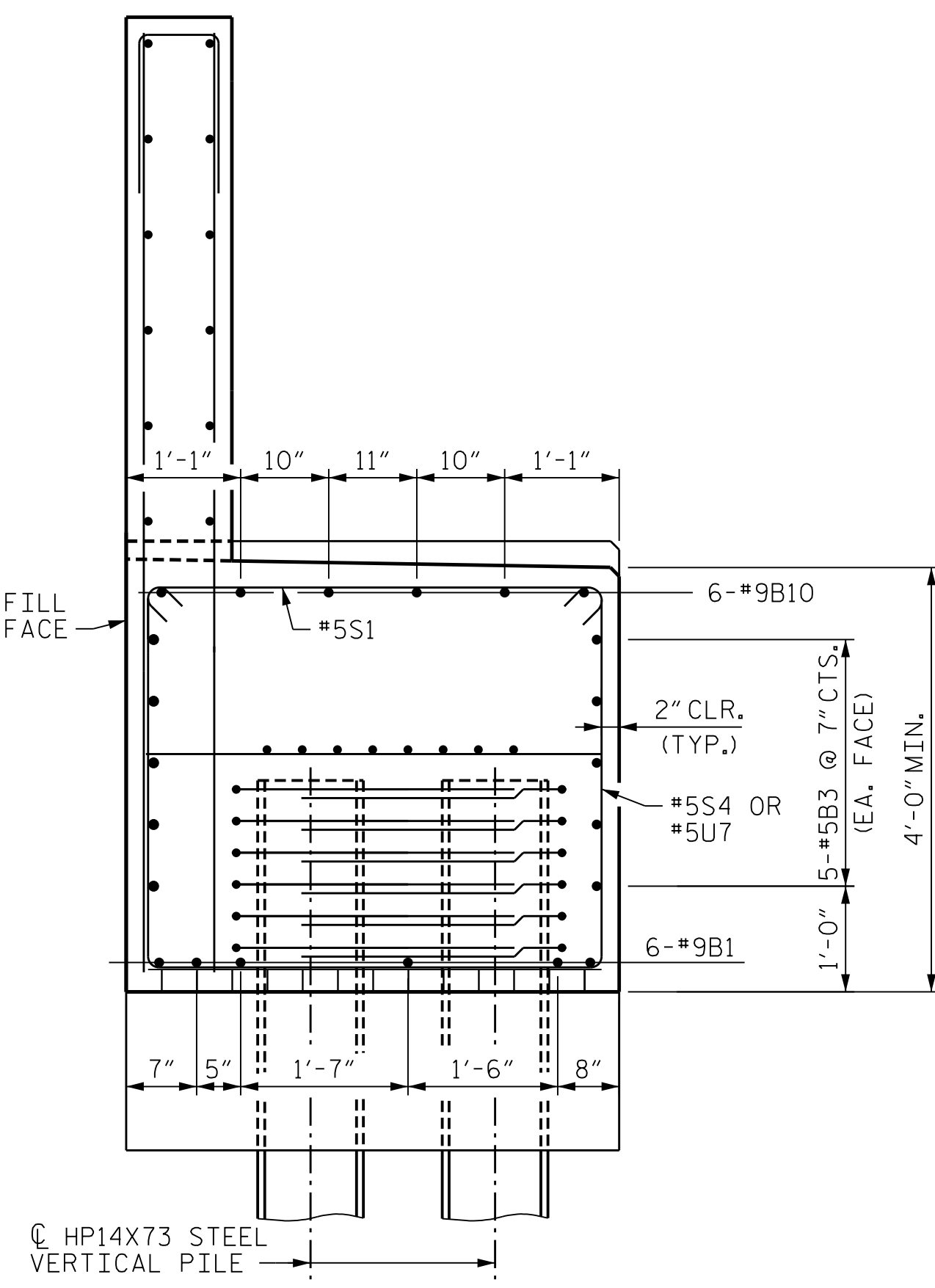
SECTION B-B

(SEE SECTION A-A FOR ADDITIONAL INFORMATION NOT SHOWN HERE)



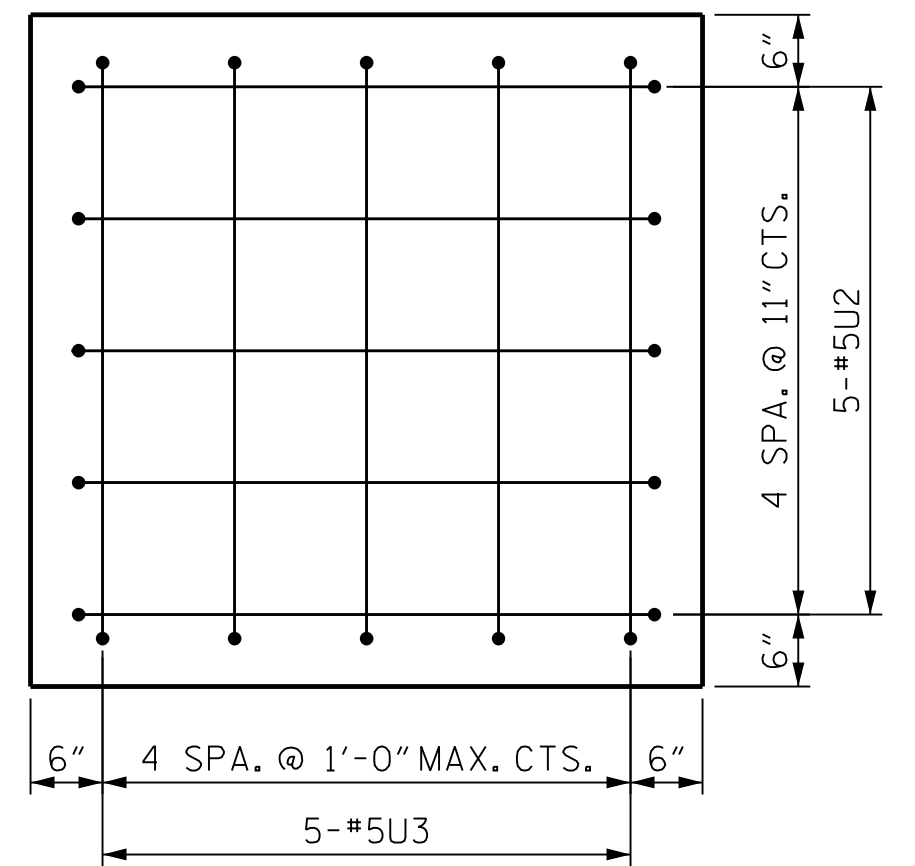
SECTION C-C

(SEE SECTION A-A FOR ADDITIONAL INFORMATION NOT SHOWN HERE)

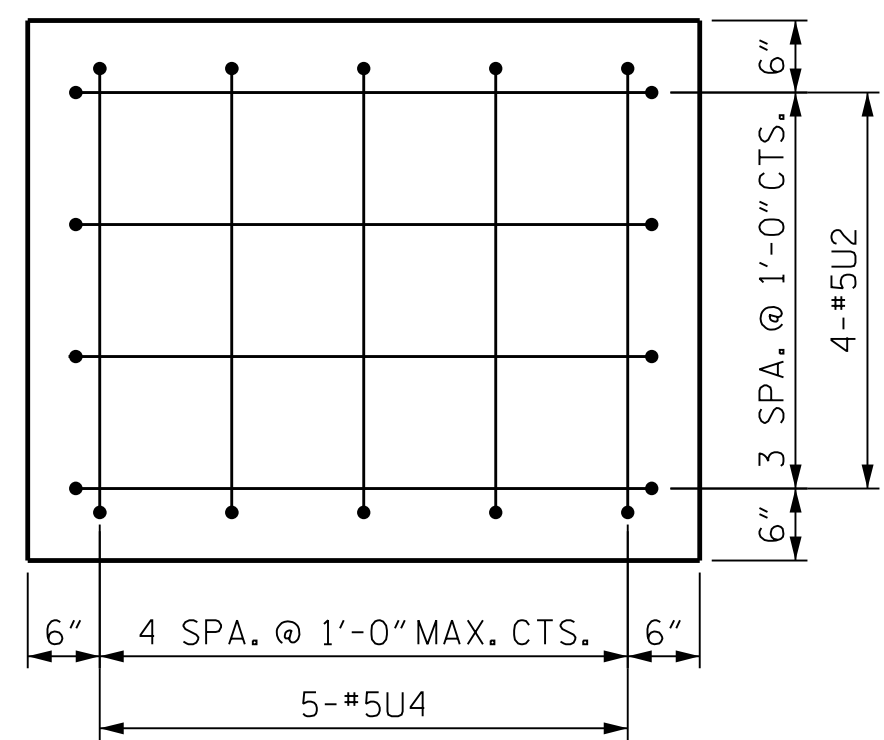


SECTION D-D

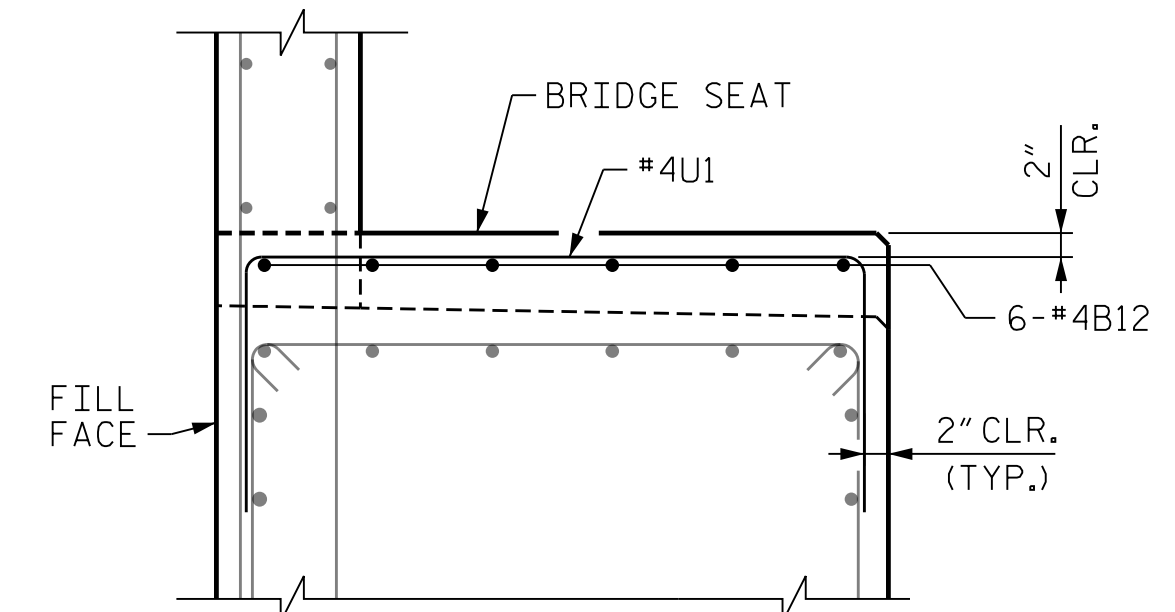
(SEE SECTION A-A FOR ADDITIONAL INFORMATION NOT SHOWN HERE)



VIEW F-F



VIEW G-G



SECTION E-E

(TYPICAL WHERE INDICATED AT BRIDGE SEATS)

PROJECT NO. U-2579AB  
 FORSYTH COUNTY  
 STATION: 47+28.33 -Y15REV-  
 SHEET 5 OF 6



10/18/2021

STATE OF NORTH CAROLINA  
 DEPARTMENT OF TRANSPORTATION  
 RALEIGH

SUBSTRUCTURE  
 END BENT 1  
 SECTION AND DETAILS

REVISIONS					
NO.	BY:	DATE:	NO.	BY:	DATE:
1	--	--	3	--	--
2	--	--	4	--	--

SHEET NO. S03-43  
 TOTAL SHEETS 61

PLOT DRIVER: NCDOT\_pdf\_color\_eng-50dpi  
 USER: PPETERSO DATE: 10/14/2021 TIME: 3:50:40 PM  
 FILE: ...SUBSTRUCTURE\_END\_B

DES BY: S. NIFONG	DATE: 02/19	DWG BY: B. PETERSON	DATE: 02/19
DES CHK: M. NEIHEISEL	DATE: 02/19	CHK BY: M. NEIHEISEL	DATE: 05/19

DOCUMENT NOT CONSIDERED FINAL UNLESS ALL SIGNATURES COMPLETED