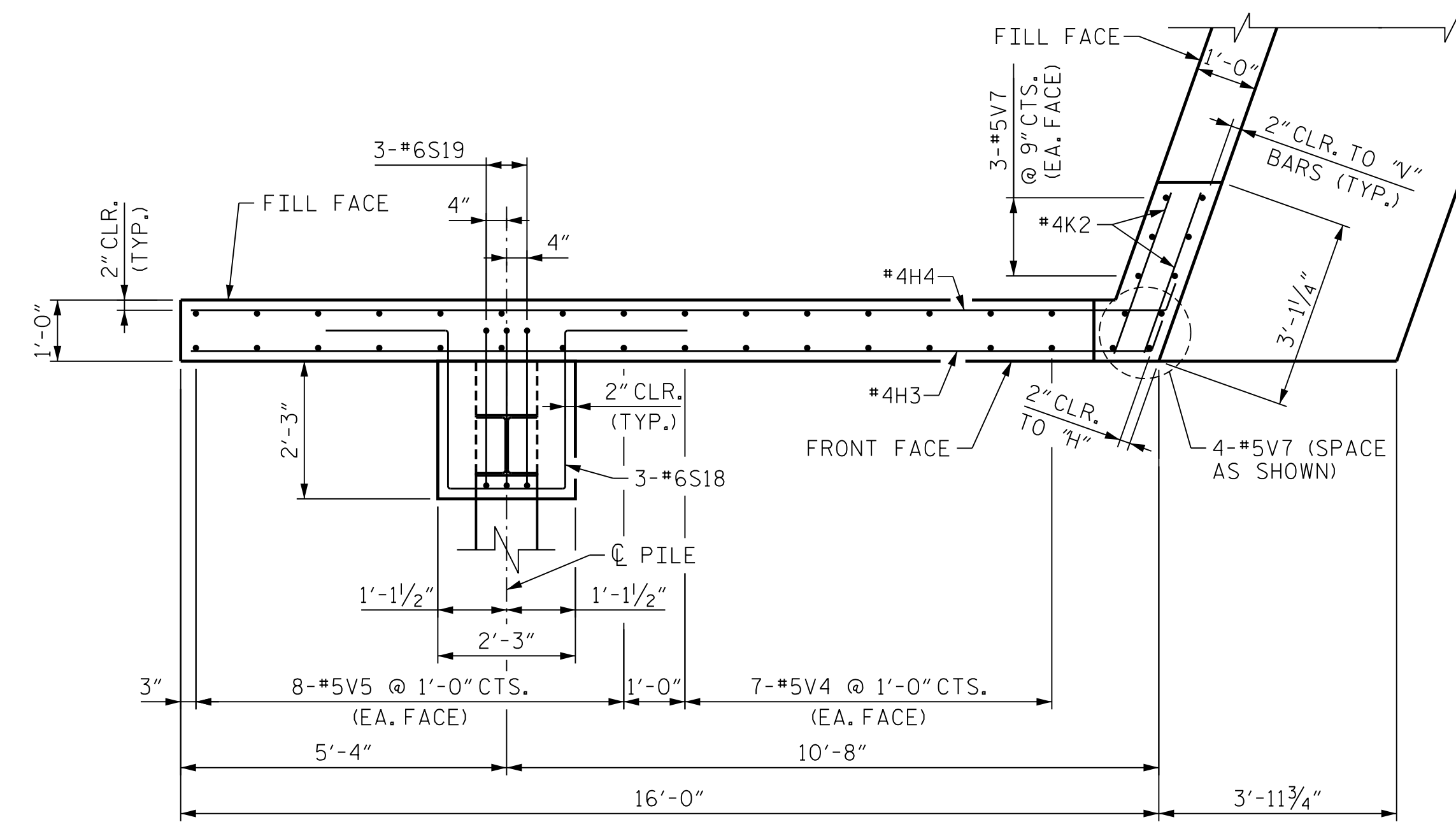
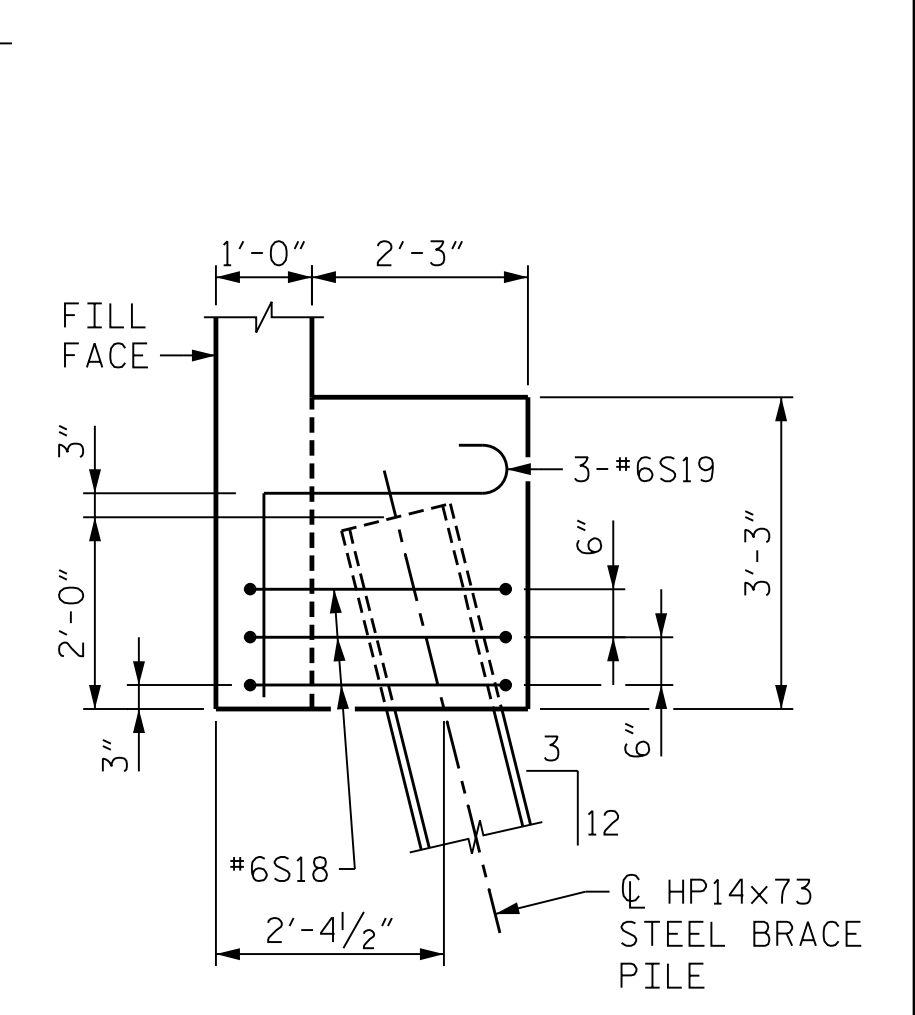


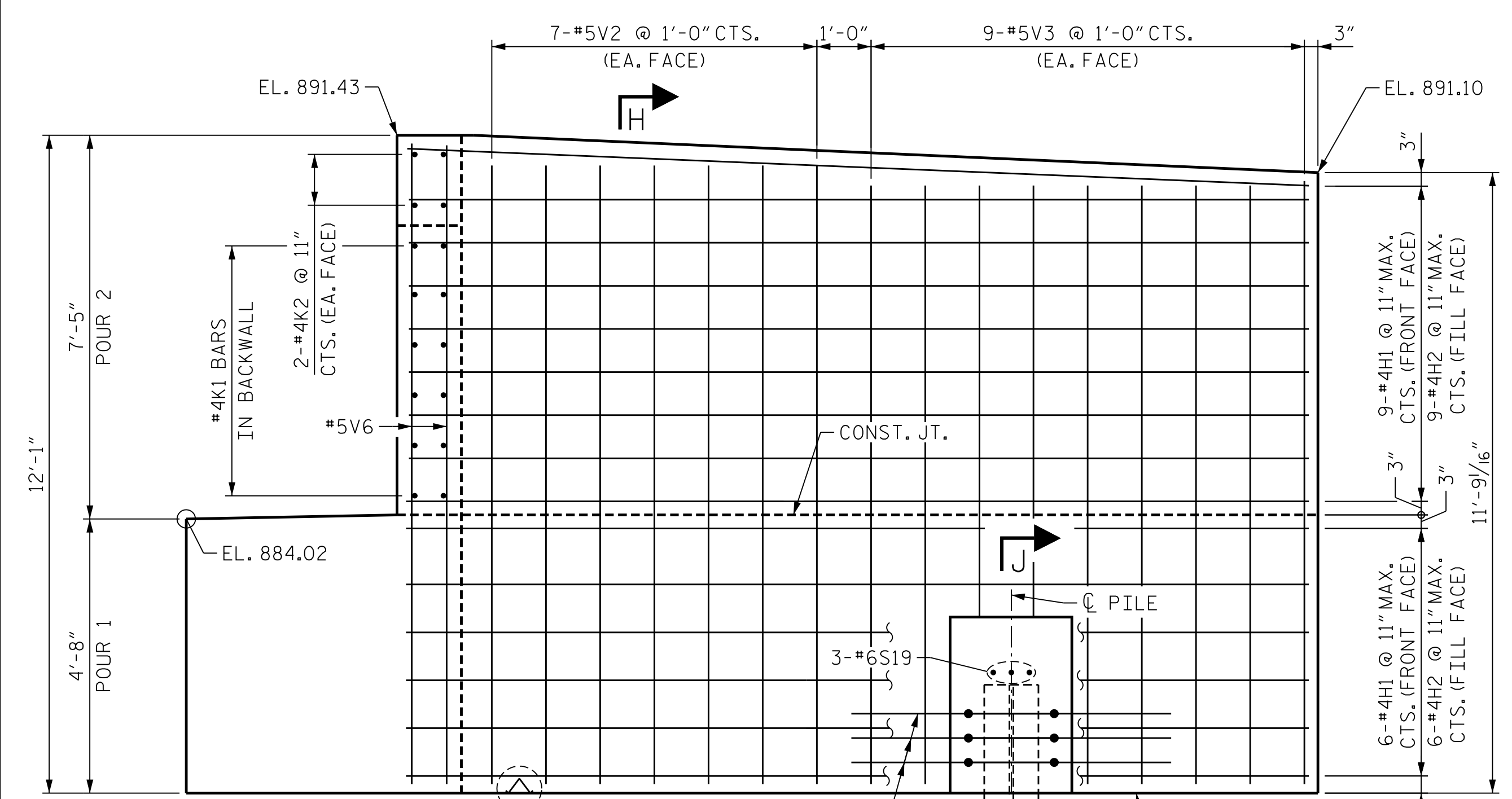
PLAN - WINGWALL "W1"



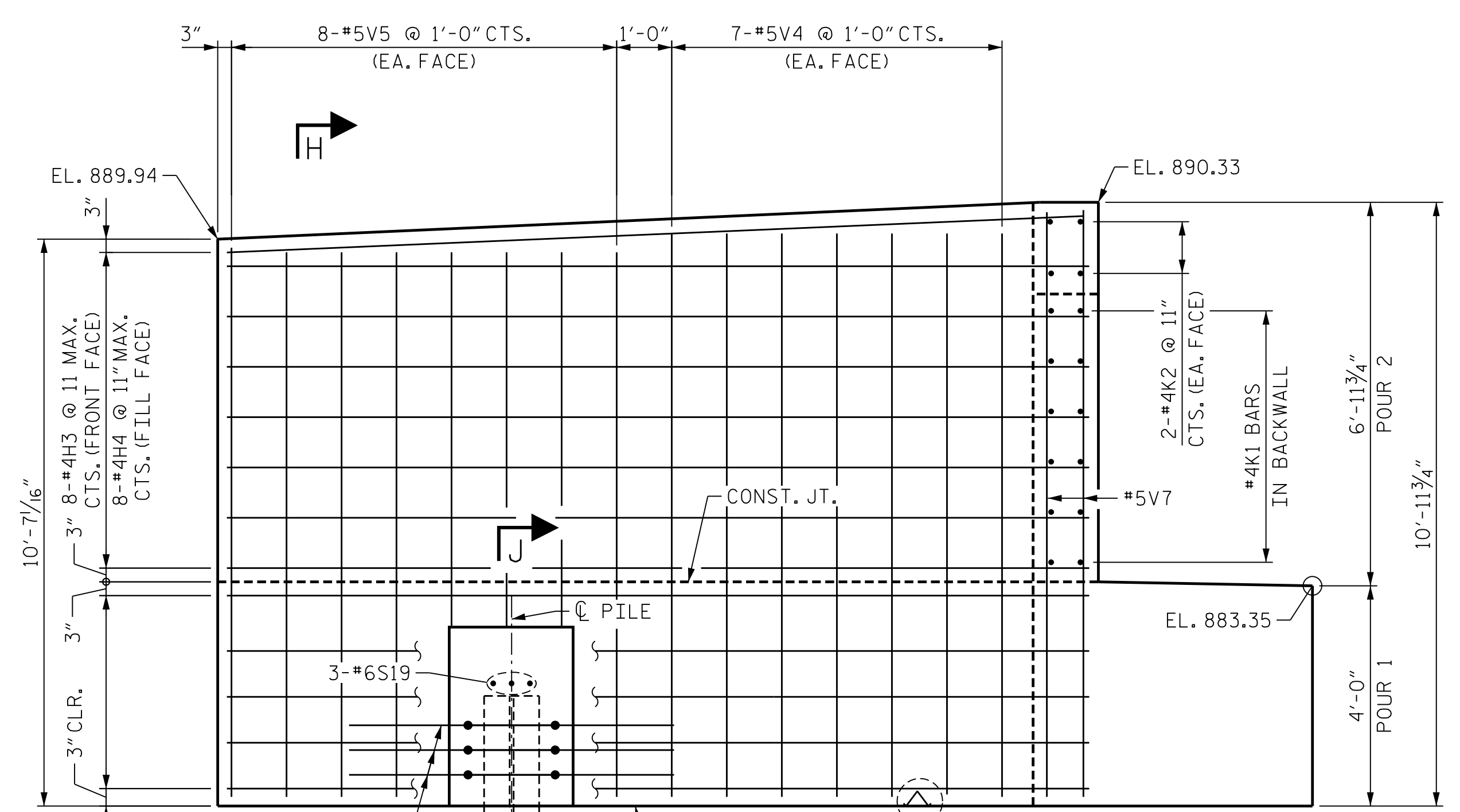
PLAN - WINGWALL "W2"



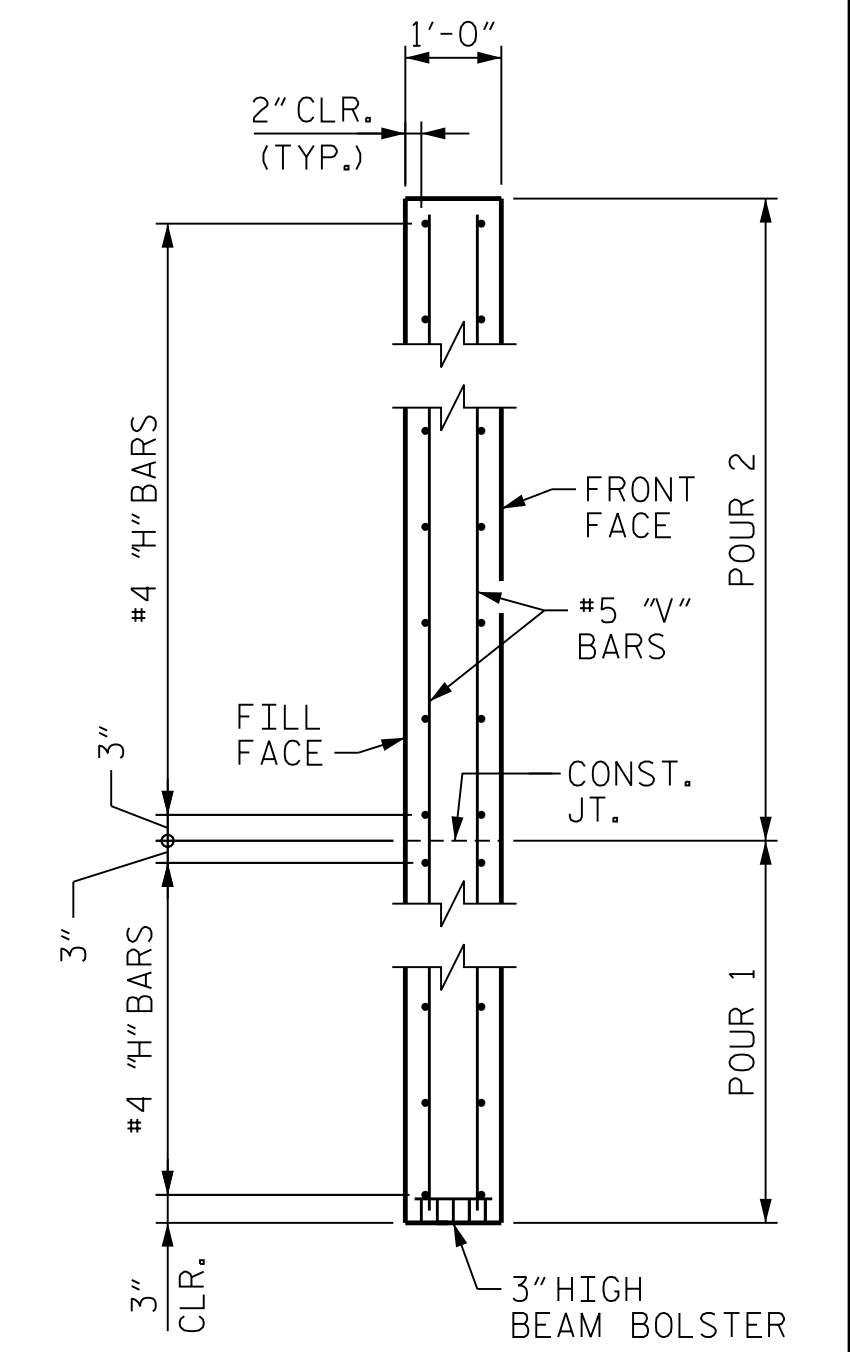
SECTION J-J



ELEVATION - WINGWALL "W1"



ELEVATION - WINGWALL "W2"



SECTION H-H

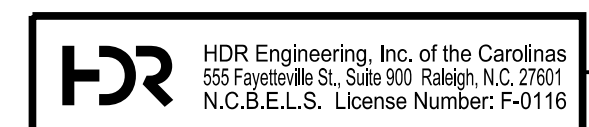
PROJECT NO. U-2579AB  
 FORSYTH COUNTY  
 STATION: 47+28.33 -Y15REV-  
 SHEET 4 OF 6



10/18/2021

PLOT DRIVER: NCDOT\_pdfs\_color\_eng-50.ppt  
 USER: PPETERSO DATE: 10/14/2021  
 FILE: ...SUBSTRUCTURE\_END.B

DES BY: S. NIFONG	DATE: 02/19	DWG BY: B. PETERSON	DATE: 03/19
DES CHK: M. NEIHEISEL	DATE: 03/19	CHK BY: M. NEIHEISEL	DATE: 05/19



DOCUMENT NOT CONSIDERED FINAL UNLESS ALL SIGNATURES COMPLETED

REVISIONS					
NO.	BY:	DATE:	NO.	BY:	DATE:
1	--	--	3	--	--
2	--	--	4	--	--

SHEET NO. S03-42  
 TOTAL SHEETS 61