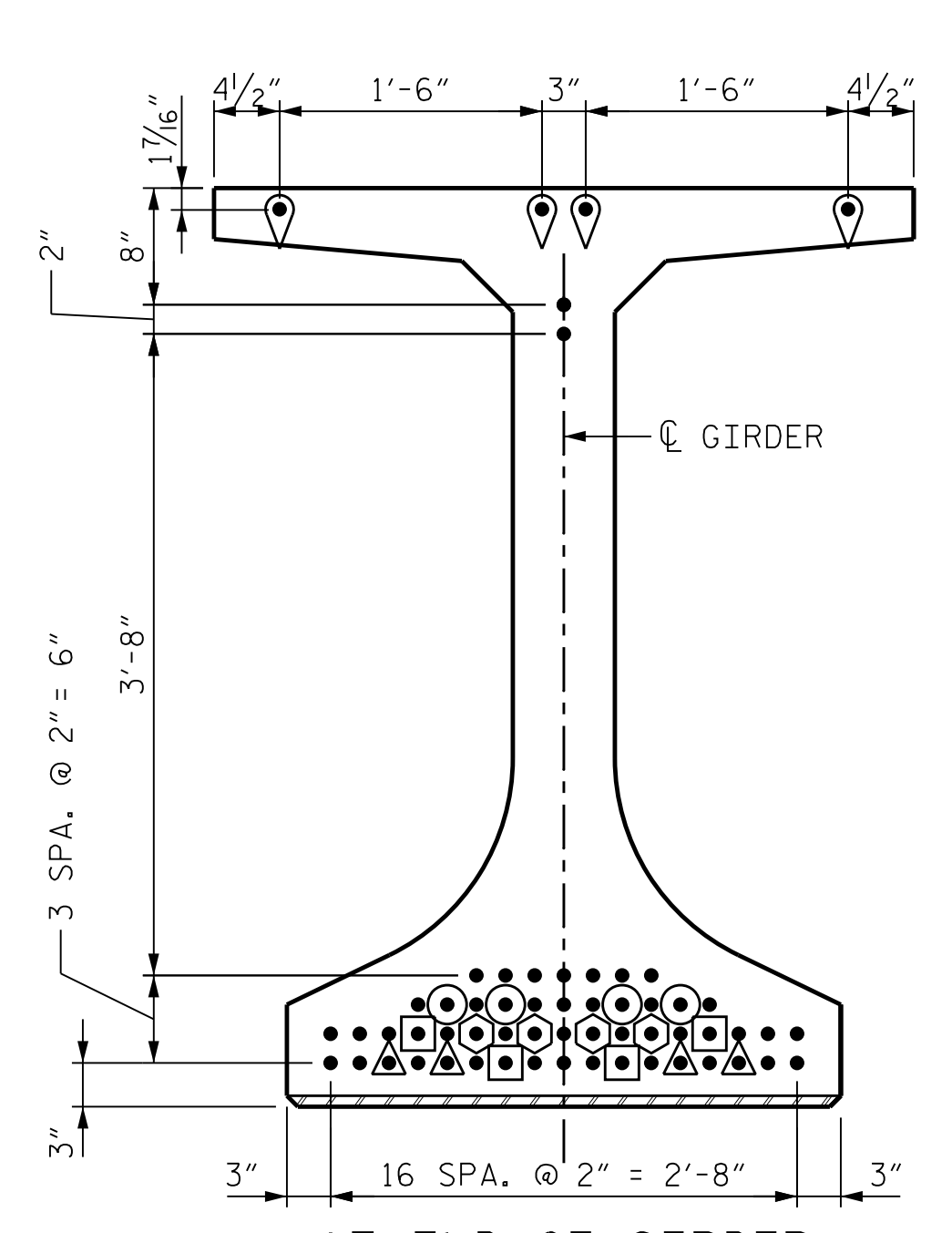


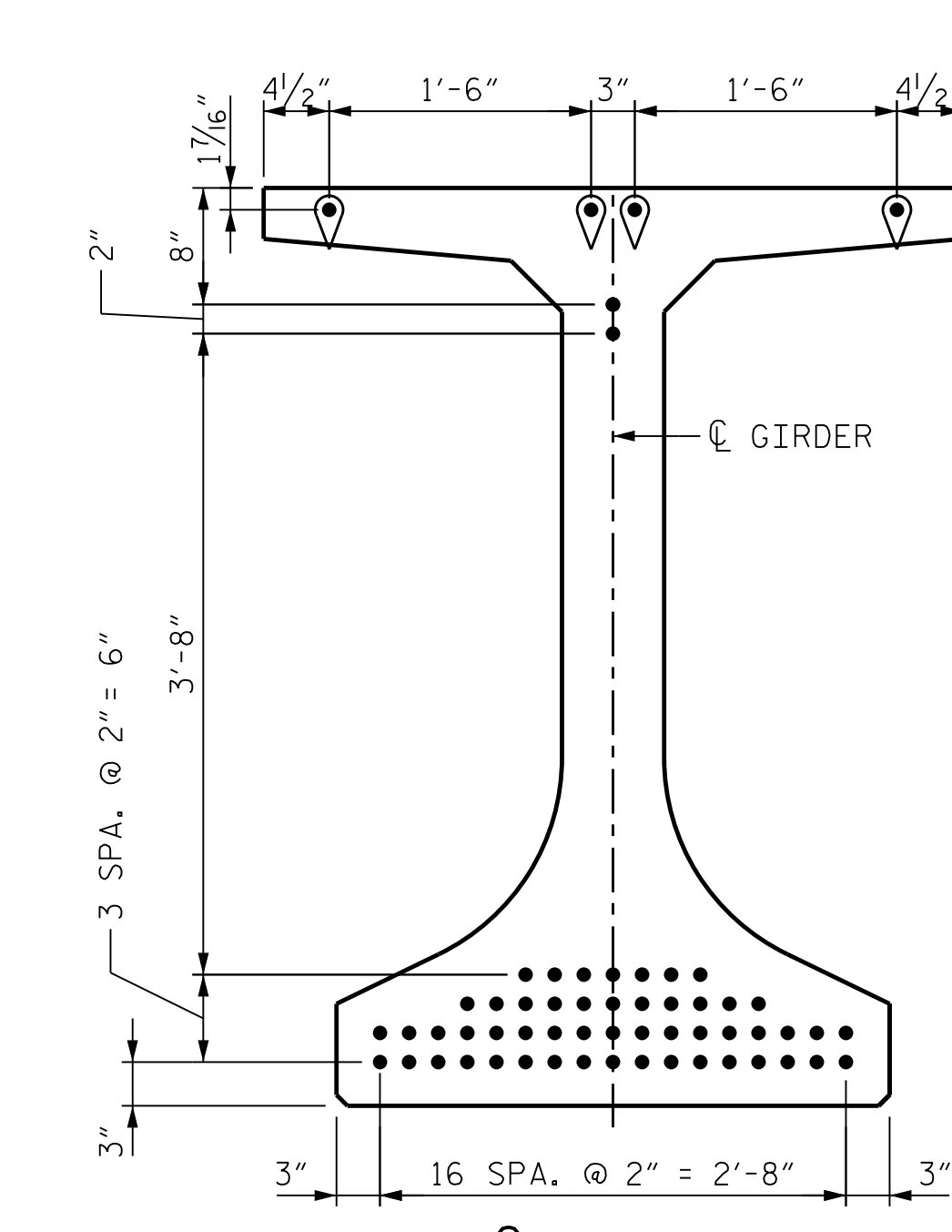
GIRDER OUTSIDE DIMENSIONS



AT END OF GIRDER

DEBONDING LEGEND

- FULLY BONDED STRANDS
- ▲ STRANDS DEBONDED FOR 4'-0" FROM END OF GIRDER
- ◻ STRANDS DEBONDED FOR 8'-0" FROM END OF GIRDER
- ◐ STRANDS DEBONDED FOR 10'-0" FROM END OF GIRDER
- ◑ STRANDS DEBONDED FOR 12'-0" FROM END OF GIRDER
- ◒ 0.6" Ø "SLACK" STRANDS TO BE TENSIONED TO 10,000 LBS. (MAX.)

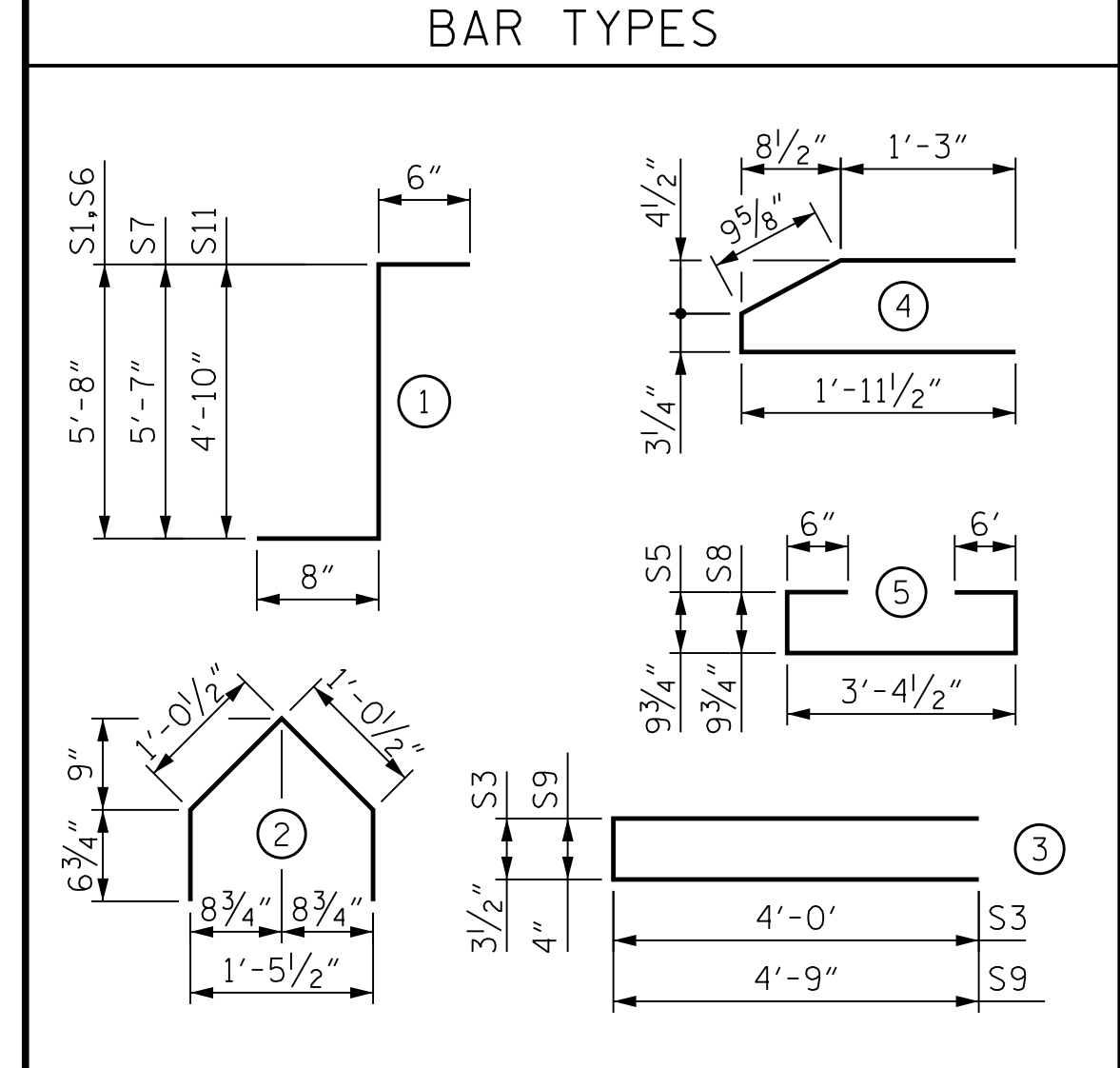


AT C OF GIRDER

0.6" Ø LOW RELAXATION STRAND LAYOUT

▲ = THE TOP OF THE GIRDER IN THE REGION OF THE LINK SLAB SHALL BE SMOOTH (NOT RAKED) AND FREE OF STIRRUPS, ANCHOR STUDS, DECK FORMWORK ATTACHMENTS, OR OVERHANG FALSEWORK/FORMWORK ATTACHMENTS.

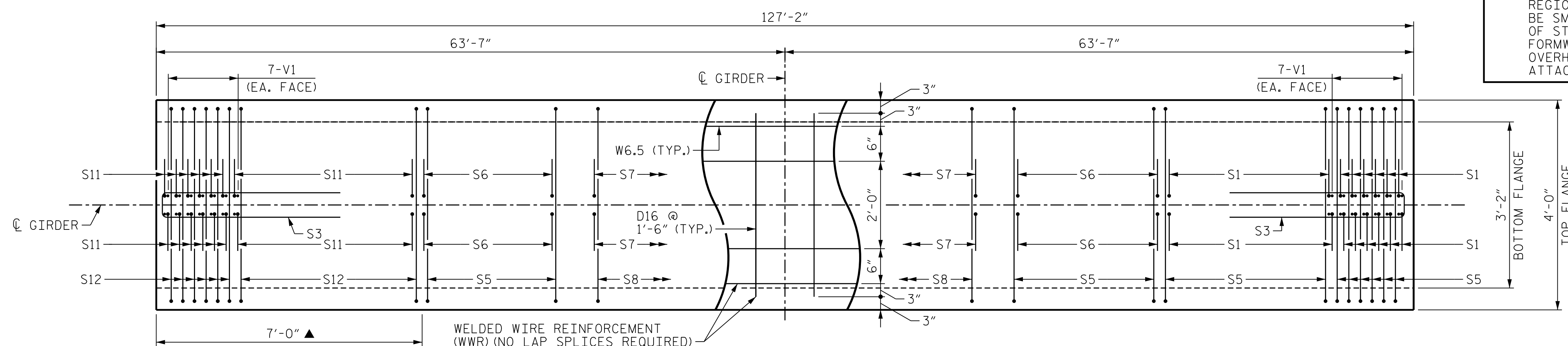
0.6" Ø L. R. GRADE 270 STRANDS					
AREA (SQUARE INCHES)		ULTIMATE STRENGTH (LBS. PER STRAND)		APPLIED PRESTRESS (LBS. PER STRAND)	
0.217		58,600		43,950	
REINFORCING STEEL FOR ONE GDR.					
BAR	NUMBER	SIZE	TYPE	LENGTH	WEIGHT
S1	34	#5	1	6'-10"	242
S2	34	#3	2	3'-3"	42
S3	10	#3	3	8'-4"	31
S4	246	#3	4	4'-4"	401
S5	57	#4	5	6'-0"	229
S6	80	#4	1	6'-10"	366
S7	98	#4	1	6'-9"	442
S8	49	#4	5	5'-10"	191
S9	8	#5	3	9'-10"	82
S10	10	#4	STR	8'-0"	53
S11	34	#5	1	6'-0"	213
S12	17	#4	STR	3'-6"	40
V1	28	#5	STR	4'-9"	139
WWR	-	-	-	-	274



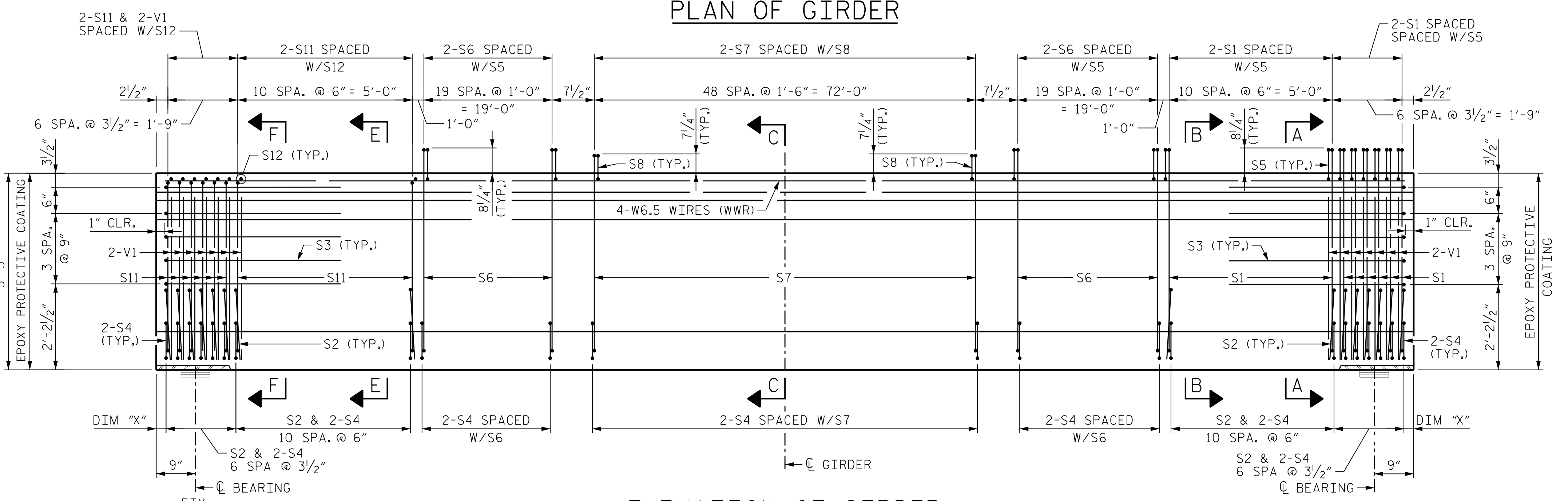
ALL BAR DIMENSIONS ARE OUT-TO-OUT

QUANTITIES FOR ONE GIRDER			
WWR	REINF. STEEL	8,000 PSI CONCRETE	0.6" Ø L.R. STRANDS
LB.	LB.	C.Y.	No.
274	2,471	32.6	58

GIRDERS REQUIRED		
NUMBER	LENGTH	TOTAL LENGTH
19	127'-2"	2,416'-2"



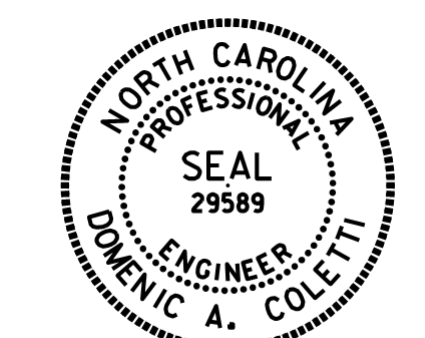
PLAN OF GIRDER



ELEVATION OF GIRDER

FOR LOCATION OF 1/2" Ø FORMED HOLES, SEE "SUPERSTRUCTURE PRESTRESSED CONCRETE GIRDER FOR LINK SLAB DETAILS" SEE SHEET 4 OF 4.

DIM. "X":
1 13/16" CLR. TO S2 BARS
1 1/16" MIN. CLR. TO S4 BARS



10/18/2021

PROJECT NO. U-2579AB
FORSYTH COUNTY
STATION: 47+28.33 -Y15REV-

SHEET 2 OF 4

STATE OF NORTH CAROLINA
DEPARTMENT OF TRANSPORTATION
RALEIGH
SUPERSTRUCTURE
63" PRESTRESSED CONCRETE
FLORIDA I-BEAM (FIB)
FOR LINK SLAB
SPAN B

REVISIONS					
NO.	BY:	DATE:	NO.	BY:	DATE:
1	--	--	3	--	--
2	--	--	4	--	--

SHEET NO.	TOTAL SHEETS
503-24	61

PLOT DRIVER: NCDOT...
 USER: PPETERSO...
 DATE: 10/14/2021...
 FILE: ...SUPERSTRUCTURE 63"

DES BY: M. NEIHEISEL	DATE: 02/19	DWG BY: D. CARTER	DATE: 02/19
DES CHK: S. NIFONG	DATE: 02/19	CHK BY: A. MILLER	DATE: 04/19



DOCUMENT NOT CONSIDERED FINAL UNLESS ALL SIGNATURES COMPLETED