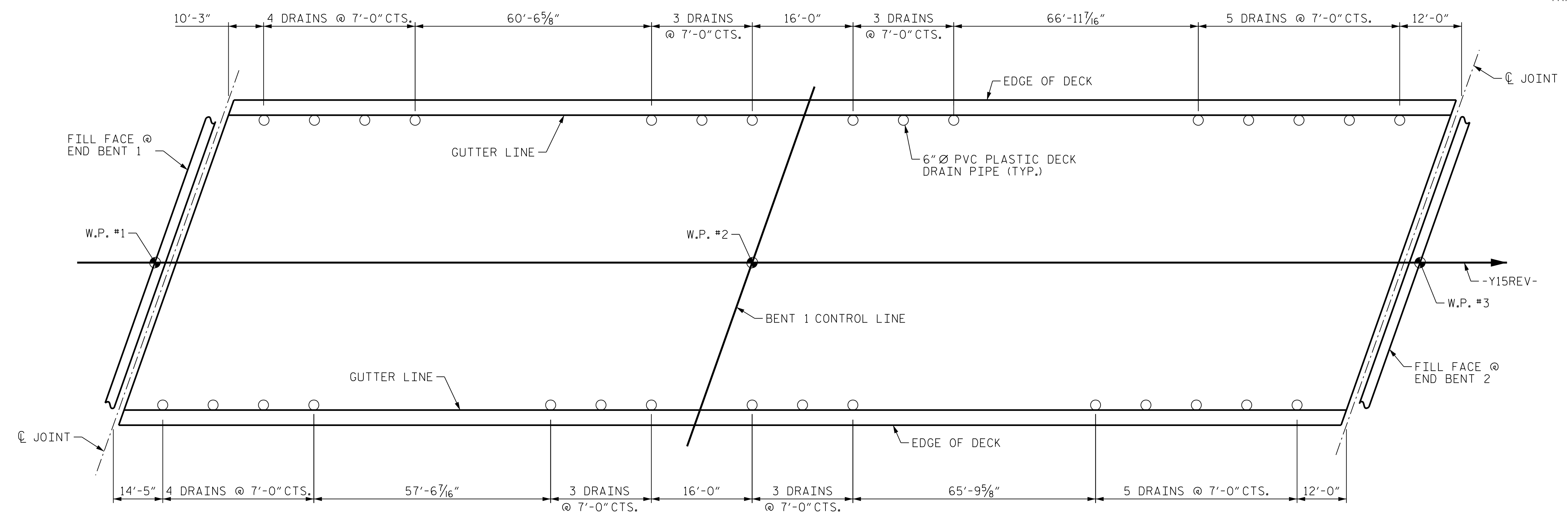
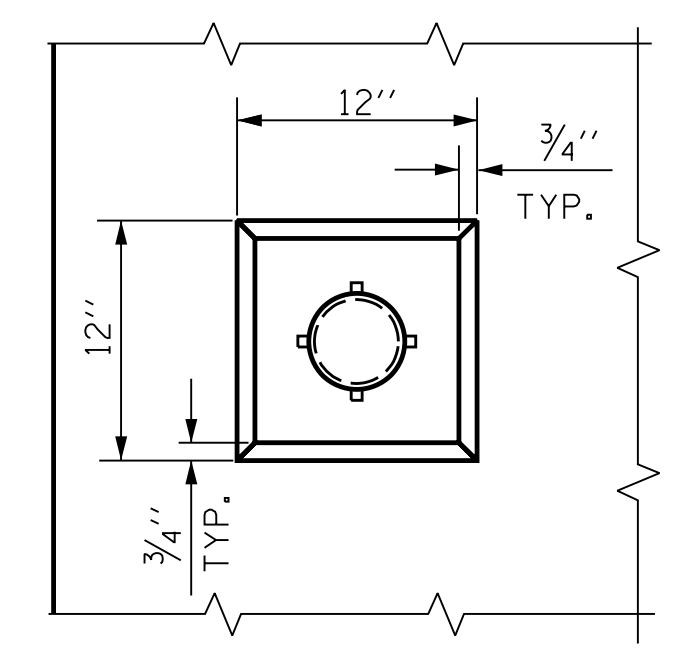


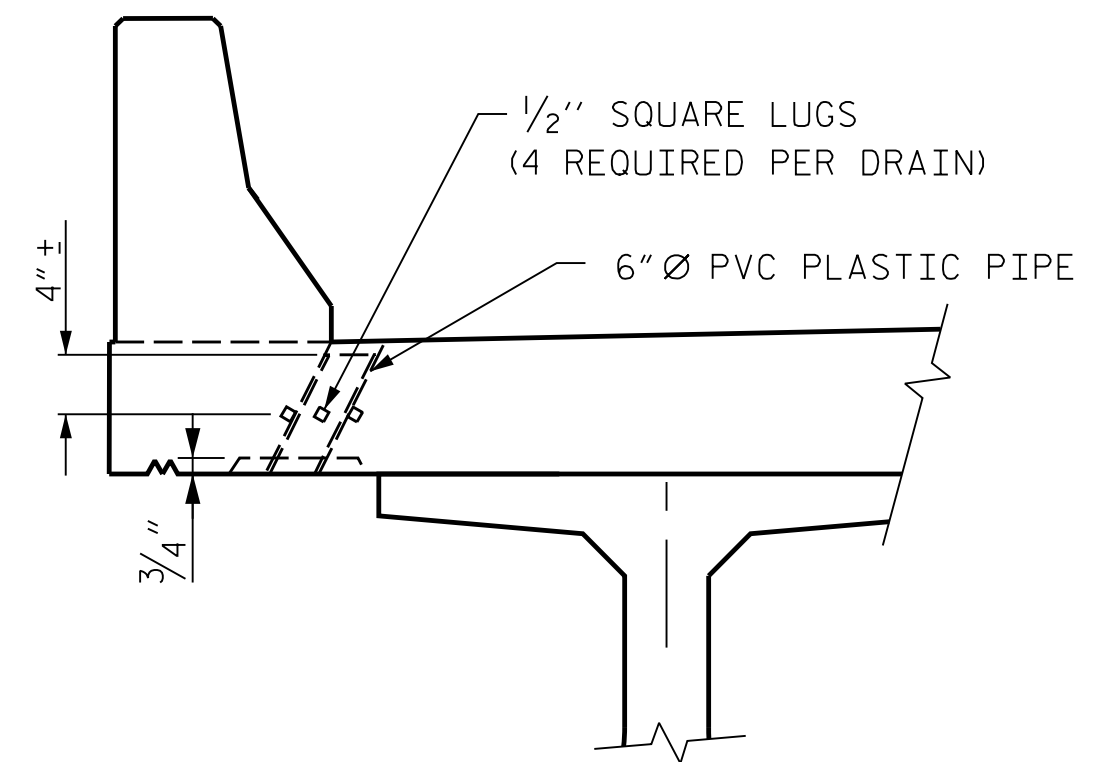
NOTE
DECK DRAINS MAY BE SHIFTED UP TO 4"
IN THE LONGITUDINAL DIRECTION TO AVOID
CONFLICTS WITH TRANSVERSE REINFORCING OR
TRANSVERSE CONSTRUCTION JOINTS IN THE DECK.



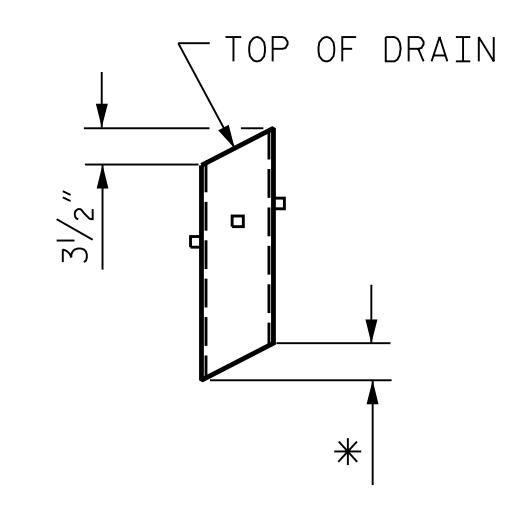
PLAN OF DECK DRAINS



PLAN OF RECESS



ELEVATION



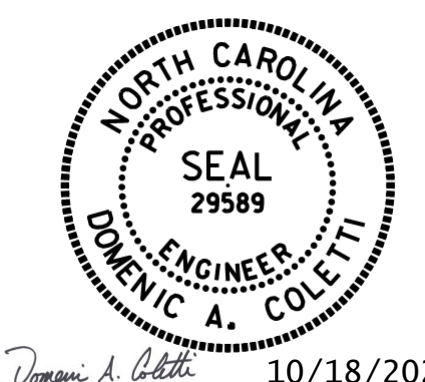
PIPE DETAIL
(30 DRAINS REQUIRED)

* = TO BE SET TO MATCH SLOPE OF OVERHANG.

DRAIN DETAILS

TOP OF FLOOR DRAINS TO BE SET 3/8"
BELOW SURFACE OF SLAB.
4 - 1/2" SQUARE LUGS TO BE GLUED TO
THE P.V.C. PLASTIC PIPE AT EQUAL
SPACES AROUND THE PIPE DRAIN
APPROXIMATELY 4" FROM THE TOP
OF THE PIPE.
THE 6" Ø PVC PLASTIC PIPE AND
FITTINGS SHALL BE SCHEDULE 40 AND
CONFORM TO ASTM D1785.

PROJECT NO. U-2579AB
FORSYTH COUNTY
STATION: 47+28.33 -Y15REV-
SHEET 12 OF 12



10/18/2021

STATE OF NORTH CAROLINA
DEPARTMENT OF TRANSPORTATION
RALEIGH
**SUPERSTRUCTURE
PLAN OF SPANS
DETAILS**

REVISIONS					
NO.	BY:	DATE:	NO.	BY:	DATE:
1	--	--	3	--	--
2	--	--	4	--	--

SHEET NO. 503-21
TOTAL SHEETS 61

PLOT DRIVER: NCDOT_pdf_color_eng-50dpi
USER: PPETERSO DATE: 10/14/2021
FILE: ...SUPERSTRUCTURE PLA

DES BY: M. NEHEISEL	DATE: 03/19	DWG BY: B. PETERSON	DATE: 03/19
DES CHK: S. NIFONG	DATE: 04/19	CHK BY: S. NIFONG	DATE: 05/19



**DOCUMENT NOT CONSIDERED FINAL
UNLESS ALL SIGNATURES COMPLETED**