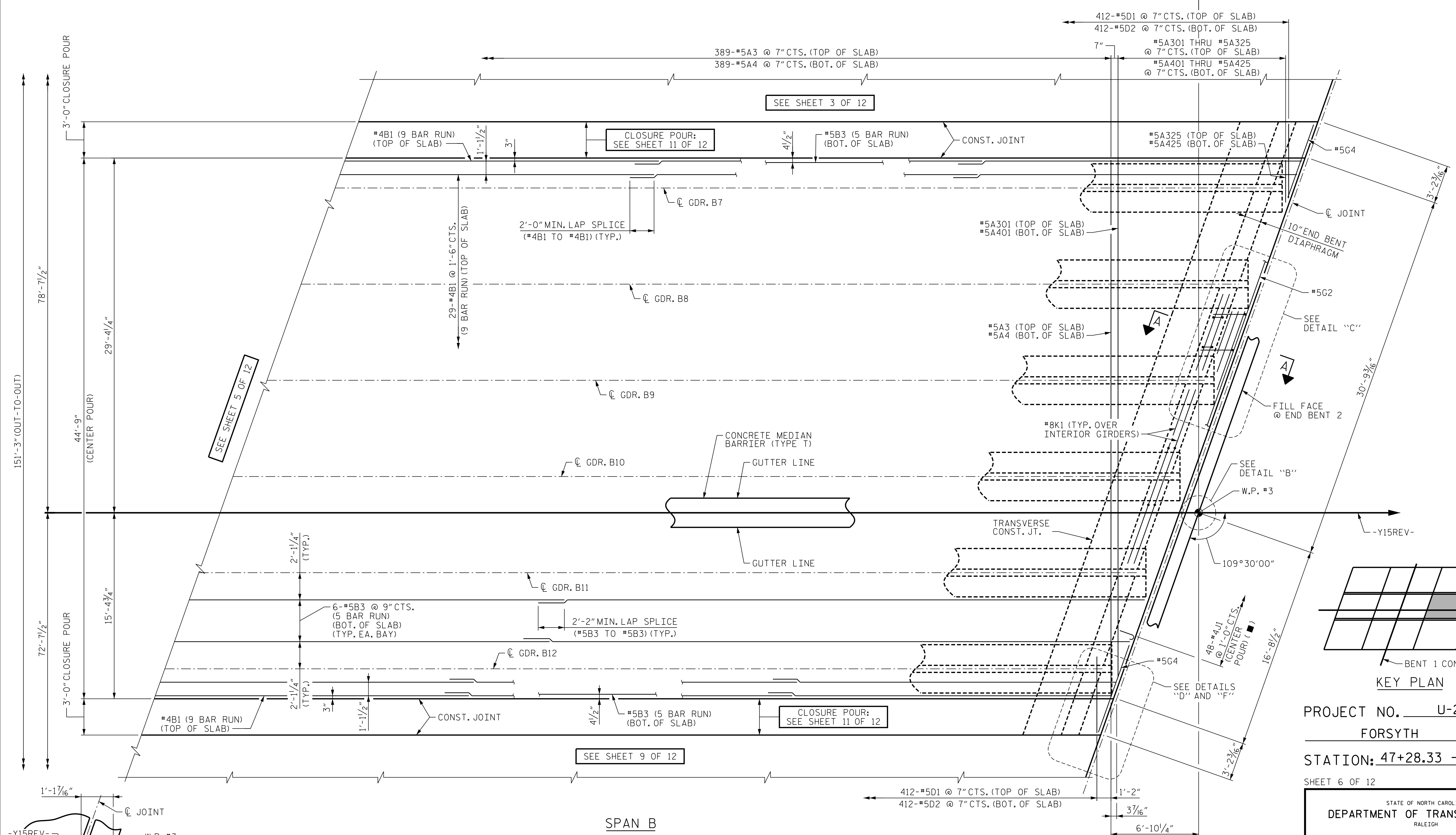


TOTAL BRIDGE LENGTH = 245'-0" (FILL FACE TO FILL FACE)

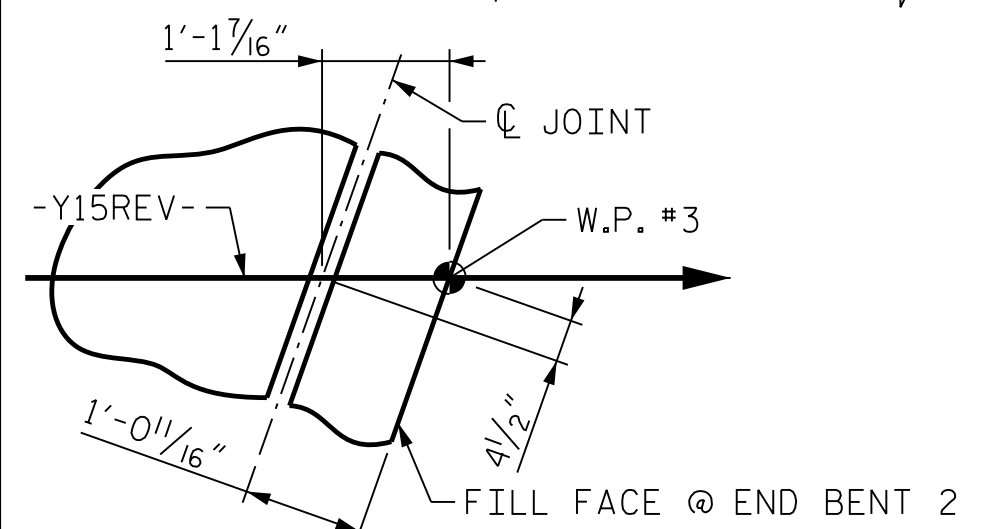
129'-6" (SPAN B)



SEE SHEET 5 OF 12

SEE SHEET 3 OF 12

SEE SHEET 9 OF 12

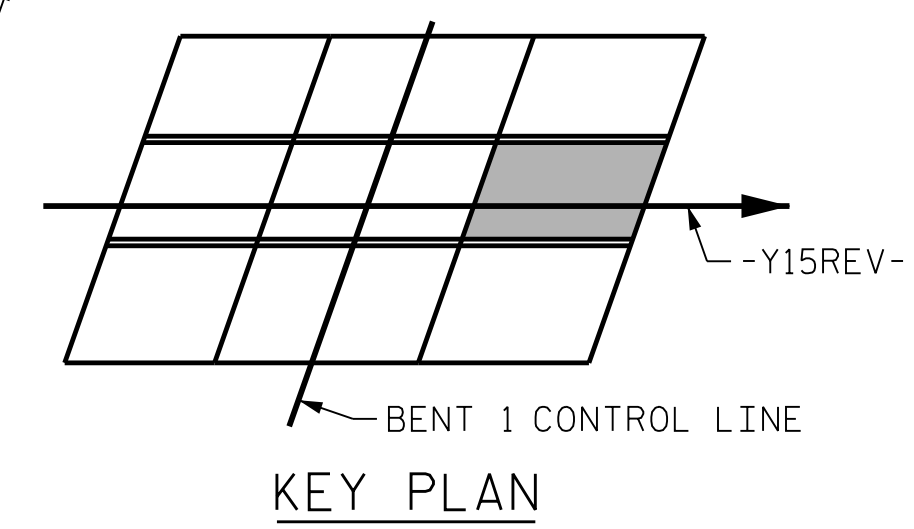


DETAIL "B"

PARTIAL PLAN OF SPANS

NOTES
 FOR DETAILS "C" AND "D", SEE SHEET 10 OF 12.
 FOR DETAIL "F", SEE SHEET 11 OF 12.

■ = SEE "SUPERSTRUCTURE EXPANSION JOINT SEAL DETAILS" SHEET 1 OF 4 FOR PLACEMENT OF #4J1 BARS.



PROJECT NO. U-2579AB
 FORSYTH COUNTY
 STATION: 47+28.33 -Y15REV-
 SHEET 6 OF 12



10/18/2021

STATE OF NORTH CAROLINA
 DEPARTMENT OF TRANSPORTATION
 RALEIGH

SUPERSTRUCTURE PLAN OF SPANS

PLOT DRIVER: NCDOT_pdf_color_eng-50dpi
 USER: PPETERSO DATE: 10/14/2021 TIME: 3:46:28 PM
 FILE: ...SUPERSTRUCTURE_PLA

DES BY: M. NEIHEISEL	DATE: 03/19	DWG BY: B. PETERSON	DATE: 03/19
DES CHK: S. NIFONG	DATE: 04/19	CHK BY: S. NIFONG	DATE: 05/19



DOCUMENT NOT CONSIDERED FINAL
 UNLESS ALL SIGNATURES COMPLETED

REVISIONS					
NO.	BY:	DATE:	NO.	BY:	DATE:
1	--	--	3	--	--
2	--	--	4	--	--

SHEET NO. 503-15
TOTAL SHEETS 61