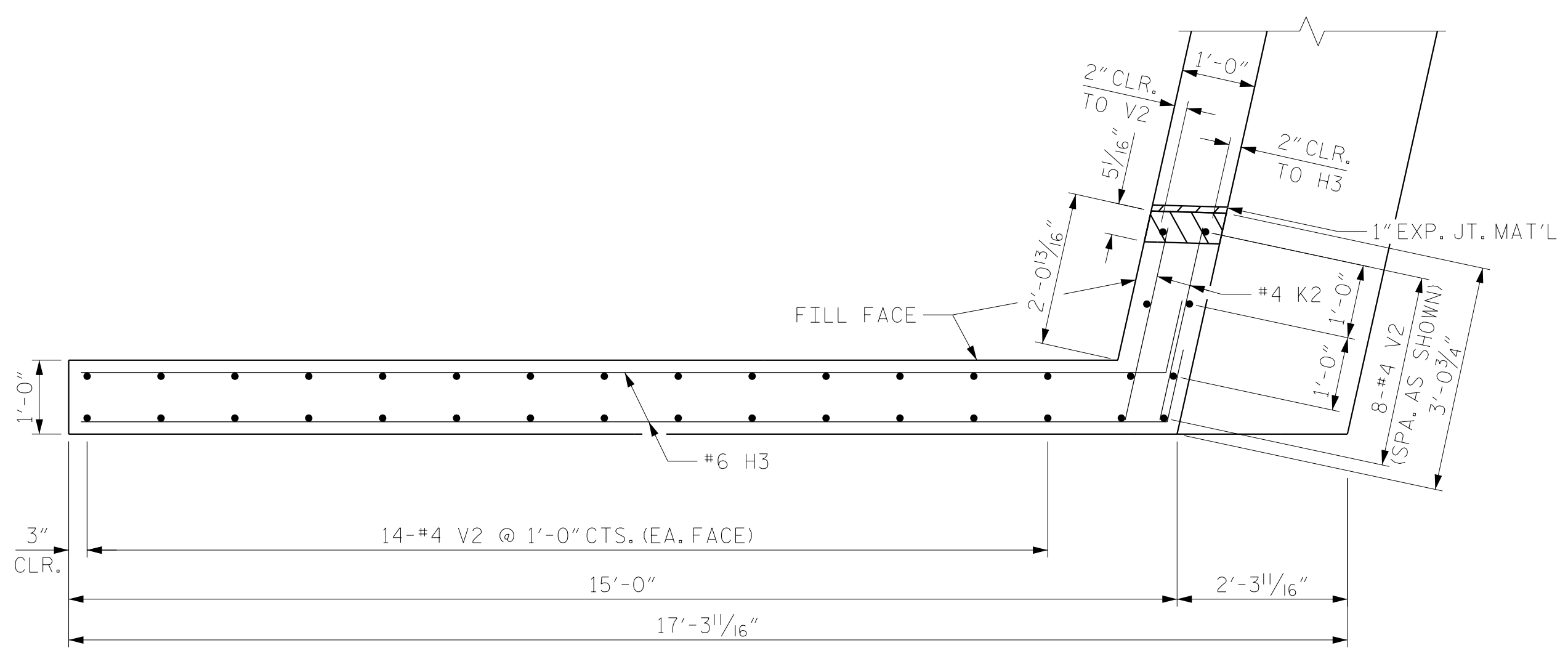
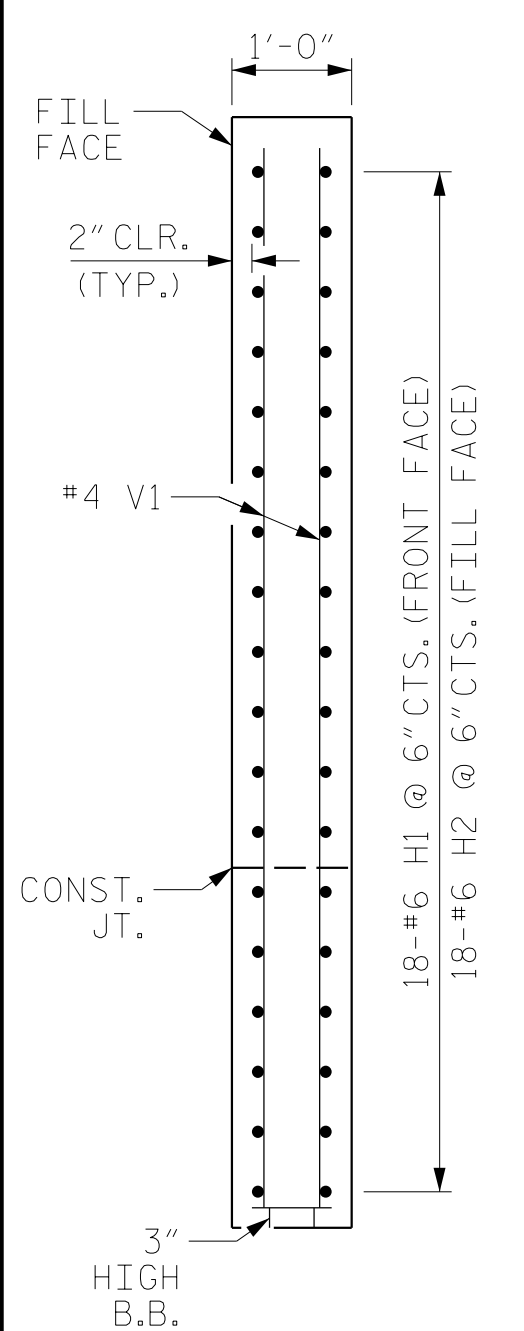


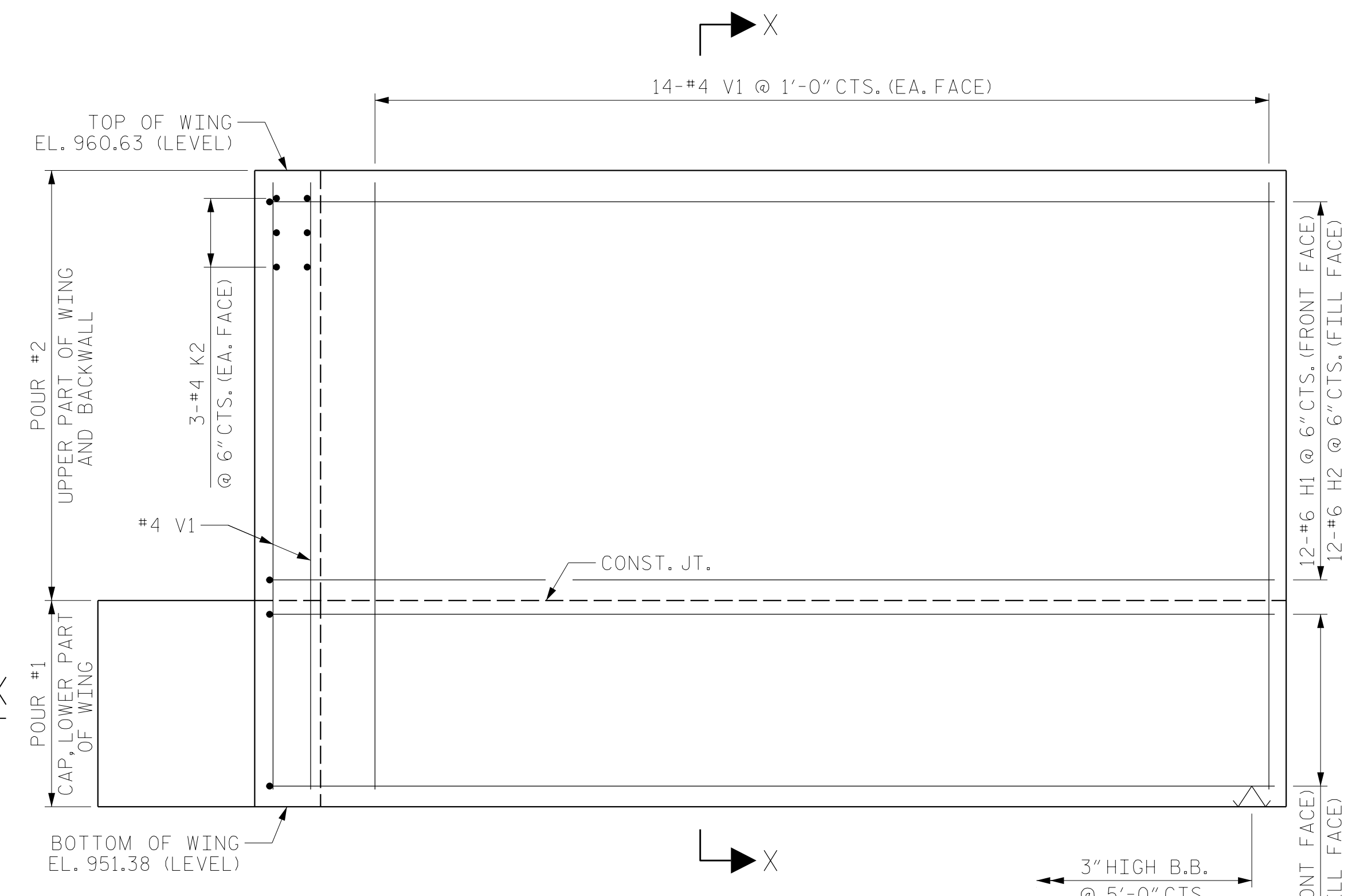
PLAN - (W1)



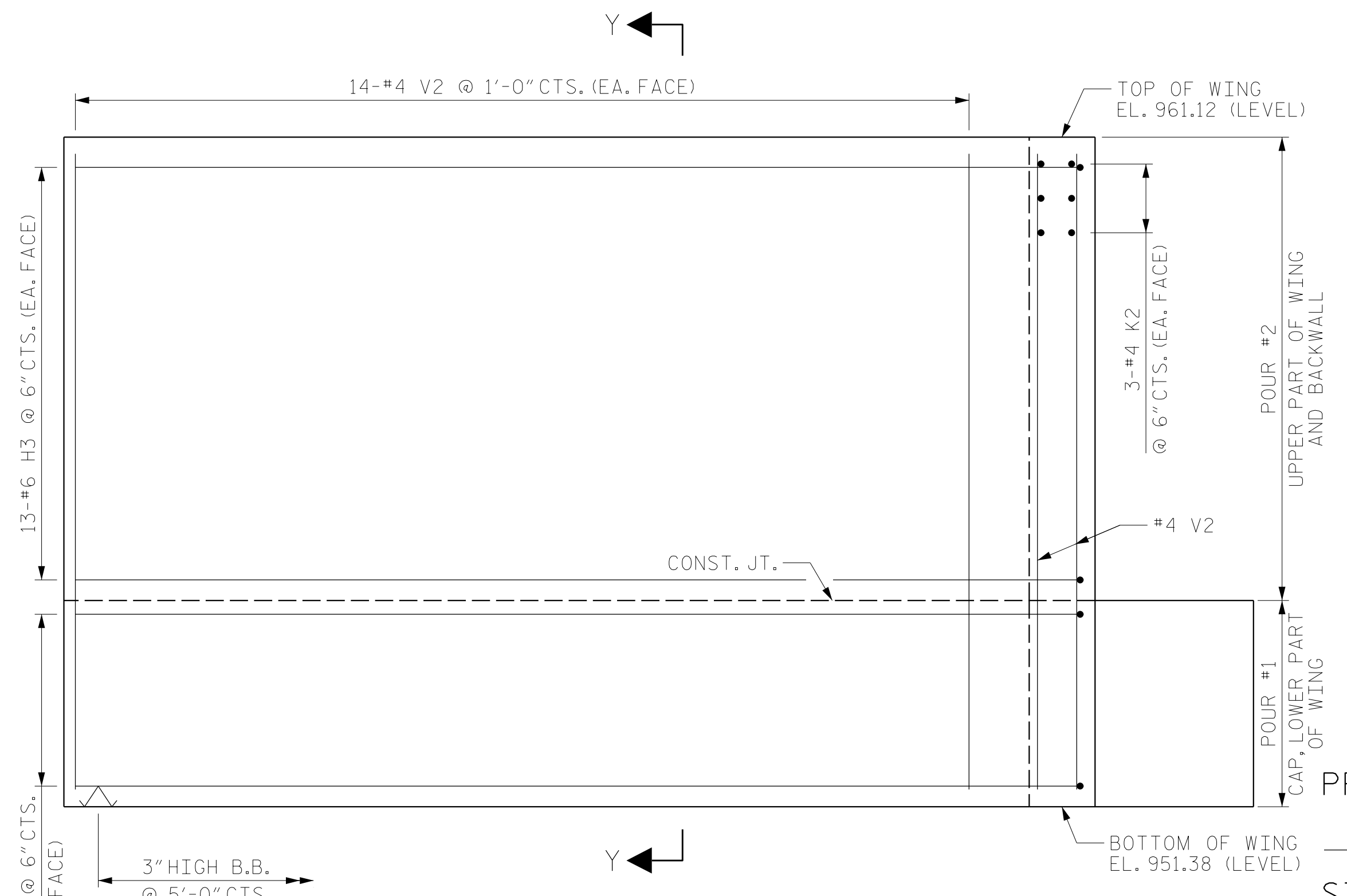
PLAN - (W2)



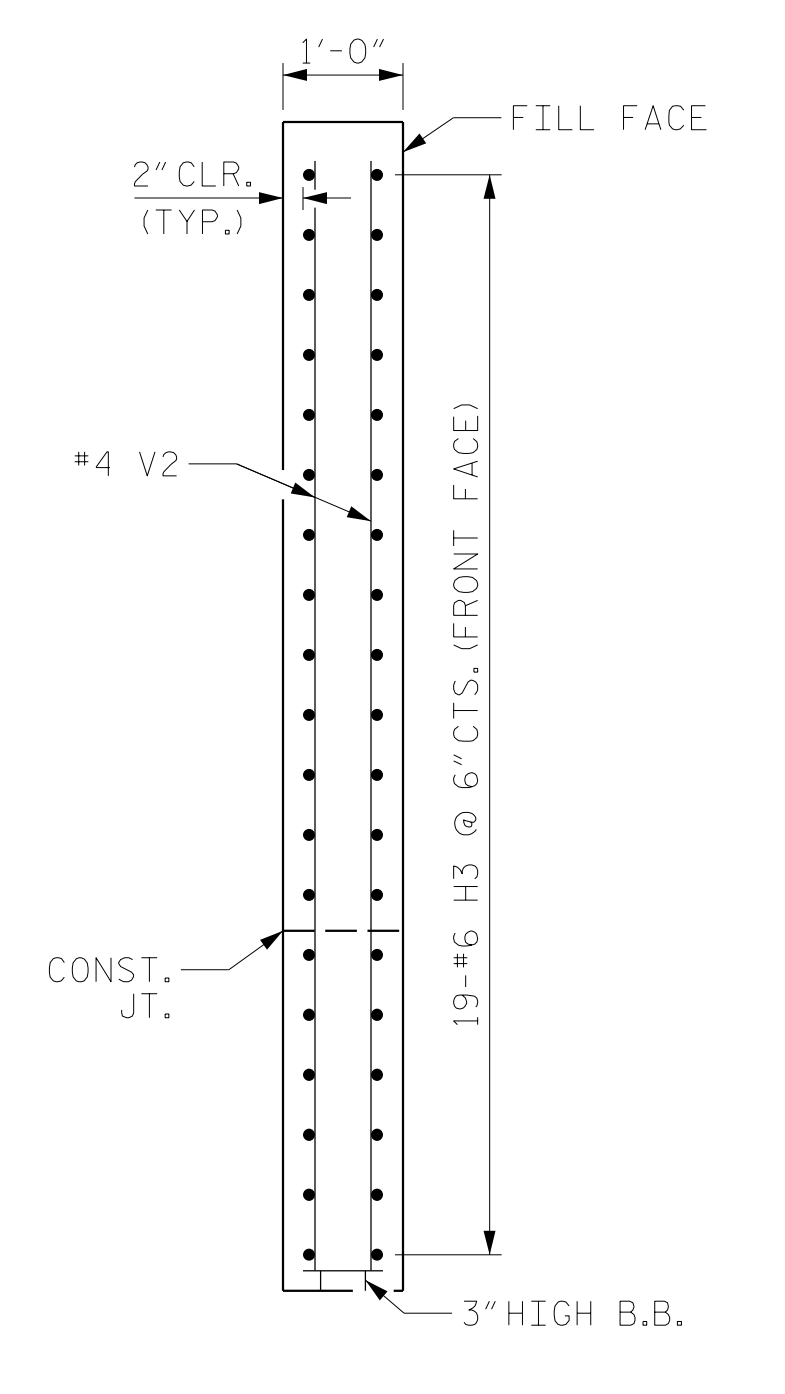
SECTION X-X



ELEVATION - (W1)



ELEVATION - (W2)



SECTION Y-Y

PROJECT NO. U-2579AB
 FORSYTH COUNTY
 STATION: 30+67.66 -Y4-

SHEET 3 OF 4



RS&H
 RS&H Architects-Engineers-Planners, Inc.
 8521 Six Forks Road, Suite 400
 919-926-4100 FAX 919-846-9080
 www.rsandh.com
 North Carolina License No. 50737-F-0403-C-28

STATE OF NORTH CAROLINA
 DEPARTMENT OF TRANSPORTATION
 RALEIGH
 SUBSTRUCTURE
 END BENT 1
 WING WALL DETAILS

DRAWN BY :	MRA	DATE :	08/2019
CHECKED BY :	JMR	DATE :	09/2019
DESIGN ENGINEER OF RECORD:	JMR	DATE :	10/2019

DOCUMENT NOT CONSIDERED
 FINAL UNLESS ALL
 SIGNATURES COMPLETED

REVISIONS						SHEET NO.
NO.	BY:	DATE:	NO.	BY:	DATE:	S2-24
1			3			TOTAL SHEETS
2			4			37