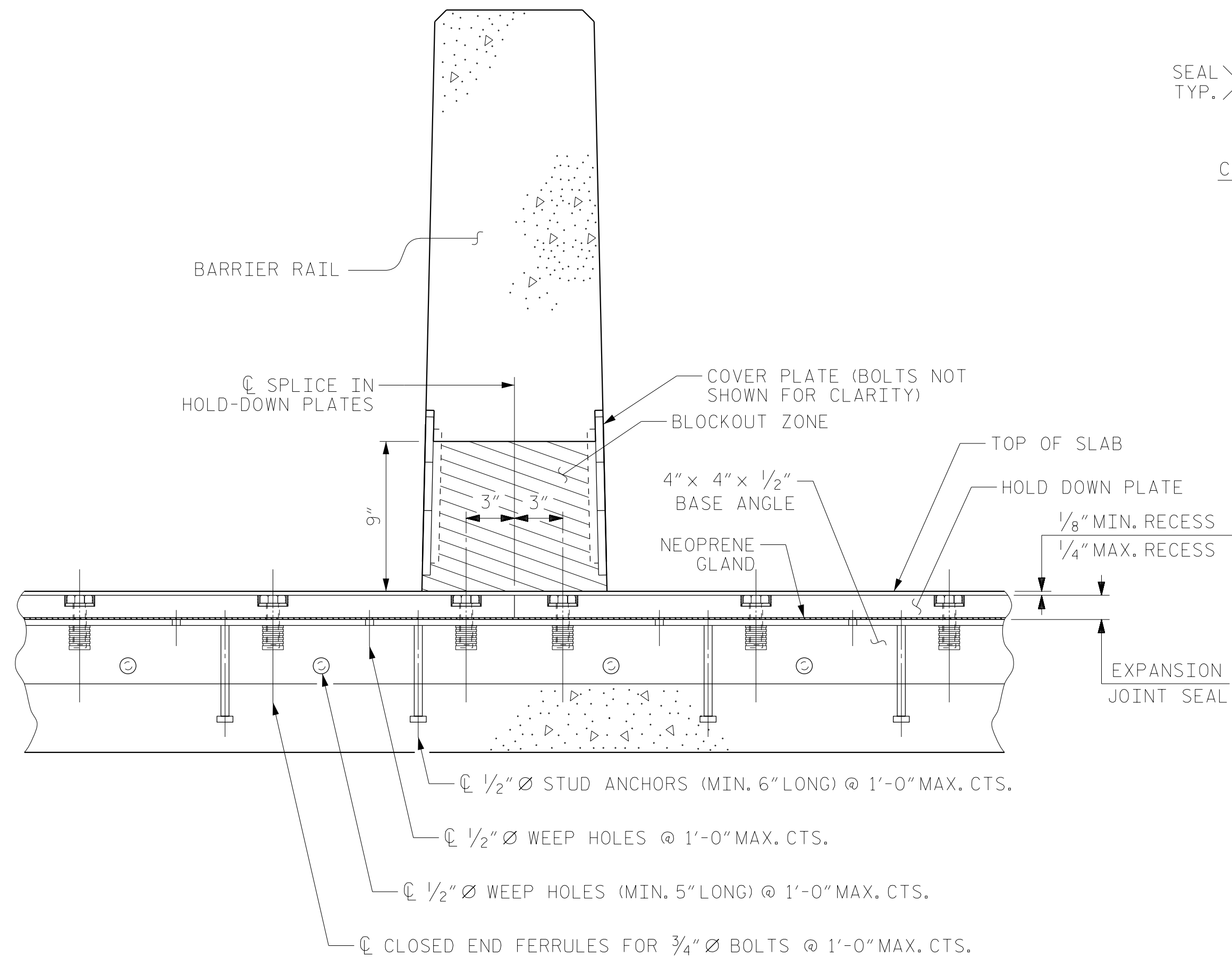
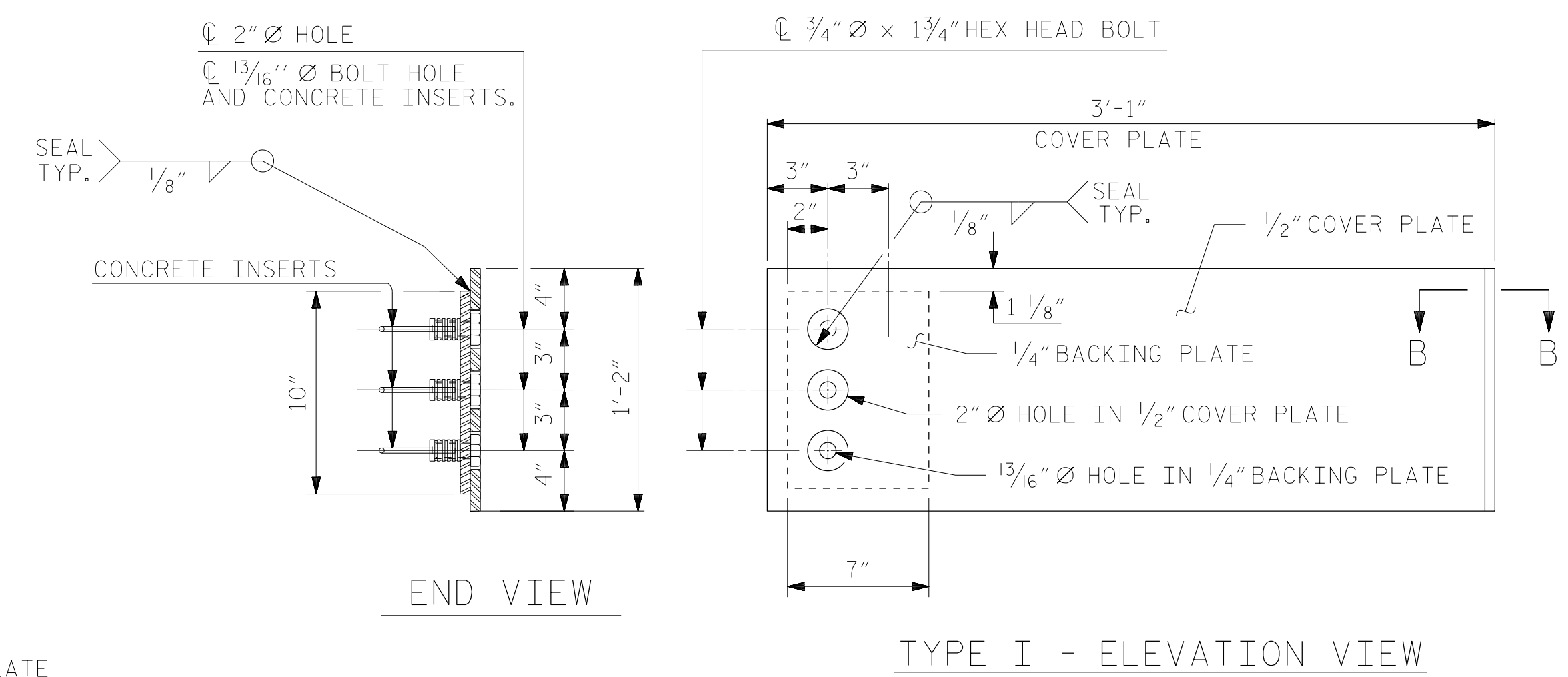


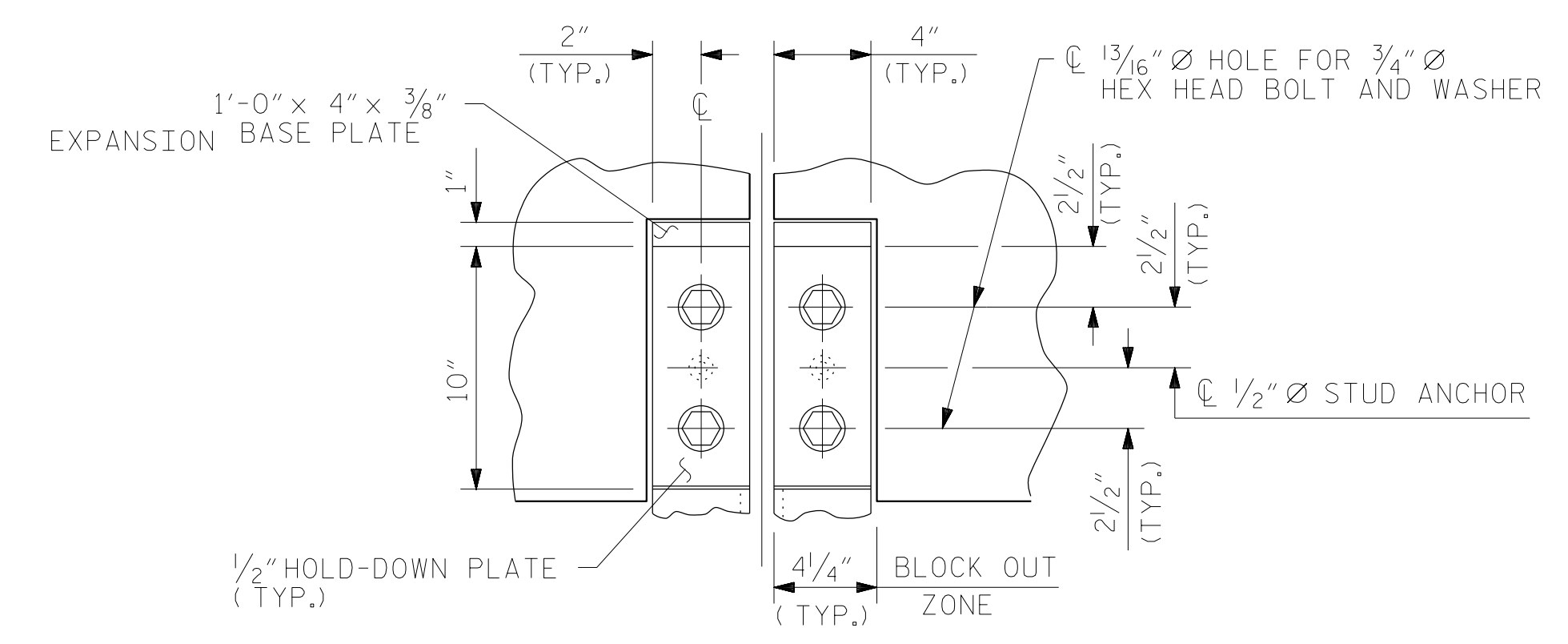
NOTE:  
FOR DETAILS NOT SHOWN HERE, SEE SHEET 2 OF 3.



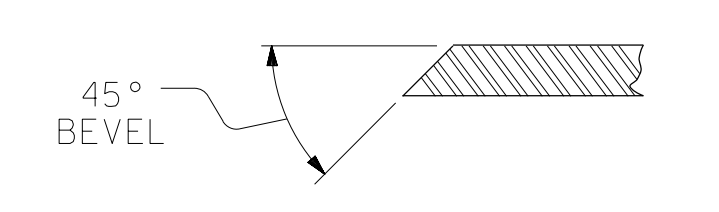
SECTION THRU INTERIOR RAIL NORMAL TO JOINT



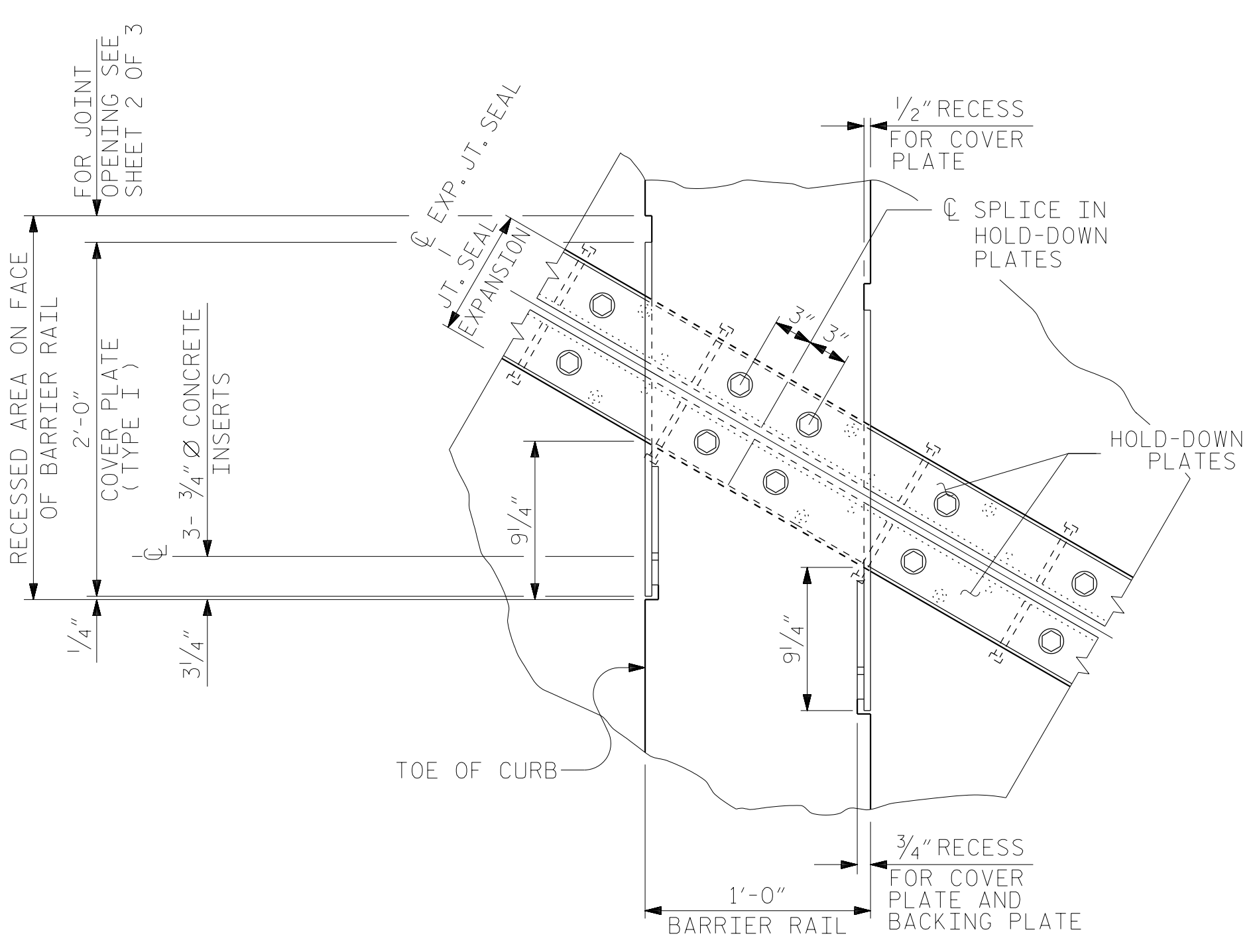
COVER PLATE DETAILS



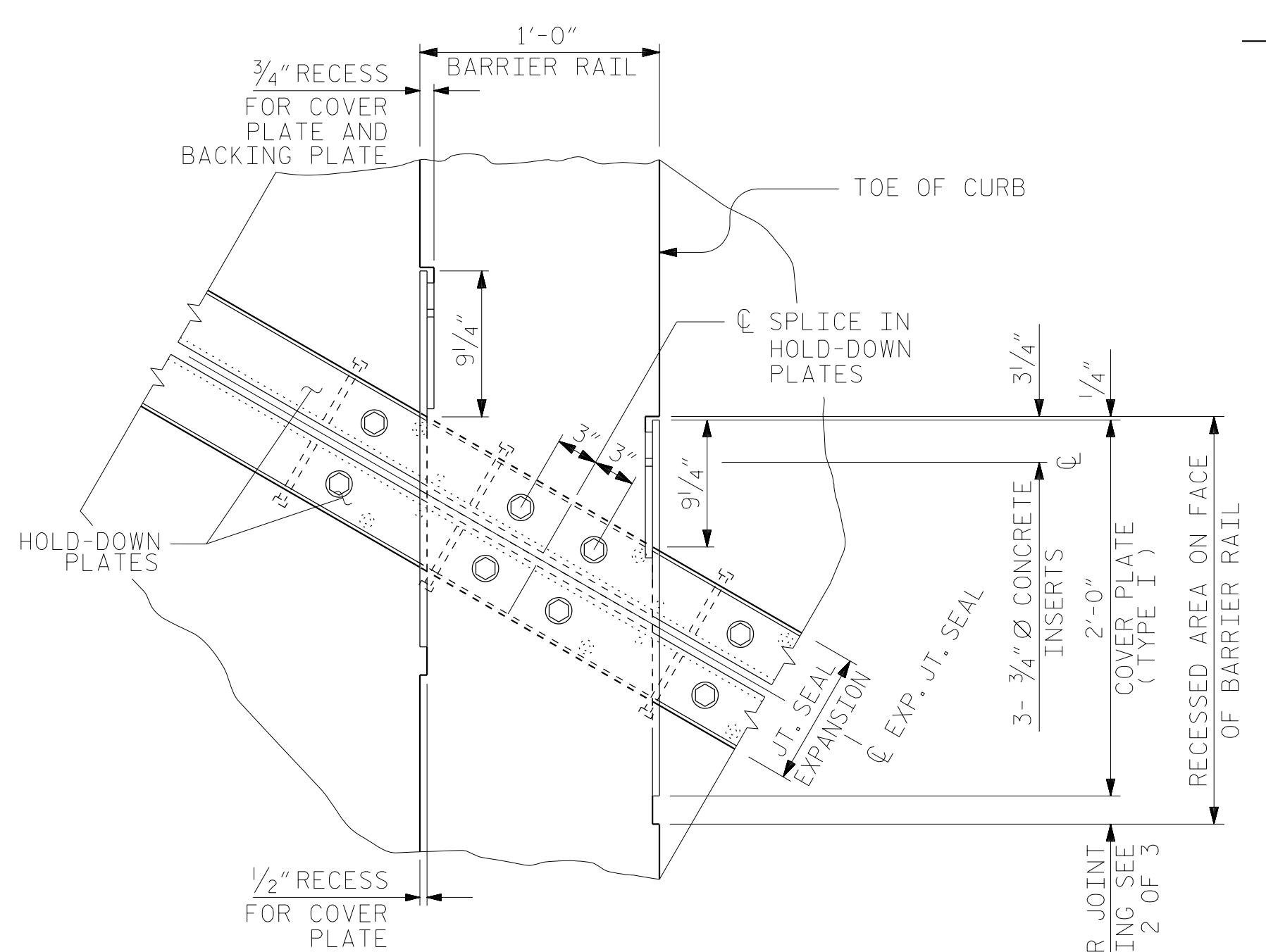
SECTION A - A



SECTION B - B



FLOW OF TRAFFIC ↑



FLOW OF TRAFFIC ↓

PLAN OF EXPANSION JOINT SEAL

PROJECT NO. U-2579AB  
FORSYTH COUNTY  
 STATION: 30+67.66 -Y4-

SHEET 3 OF 3

DRAWN BY : MRA DATE : 12/2019  
 CHECKED BY : MAL DATE : 12/2019  
 DESIGN ENGINEER OF RECORD: JMR DATE : 12/2019

10/14/2021  
 X:\P\1031785002 U-2579AB WS North Beltway\Design\Structures\CAD\Site 2\402.039.U2579AB.SMU.JS.S-20.330723.dgn  
 CuonyN

DOCUMENT NOT CONSIDERED  
 FINAL UNLESS ALL  
 SIGNATURES COMPLETED

REVISIONS						SHEET NO.
NO.	BY:	DATE:	NO.	BY:	DATE:	S2-20
1			3			TOTAL SHEETS
2			4			37