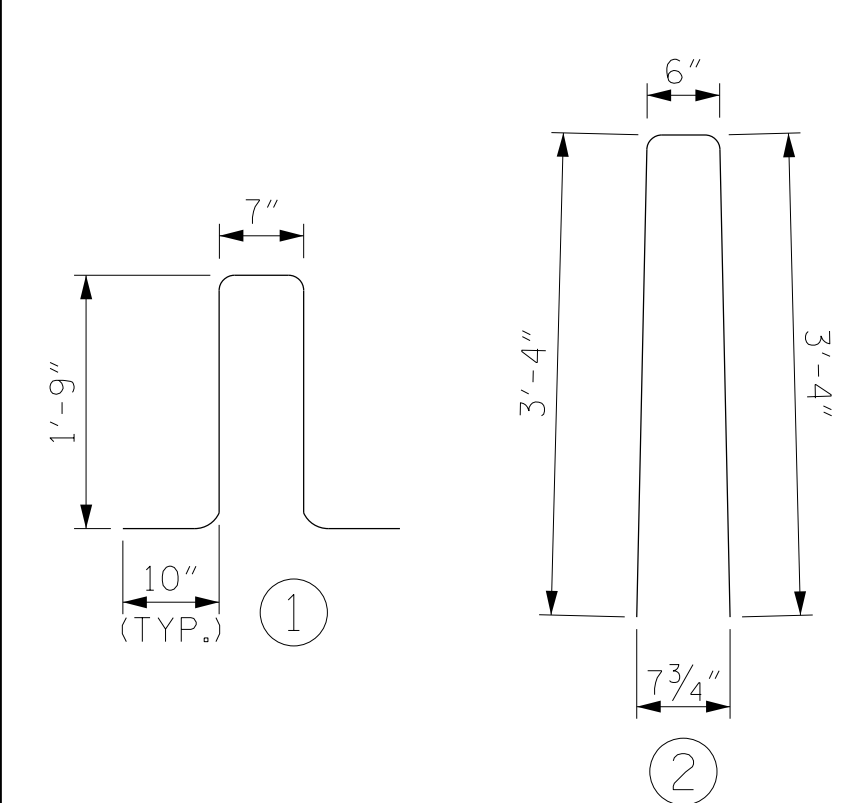


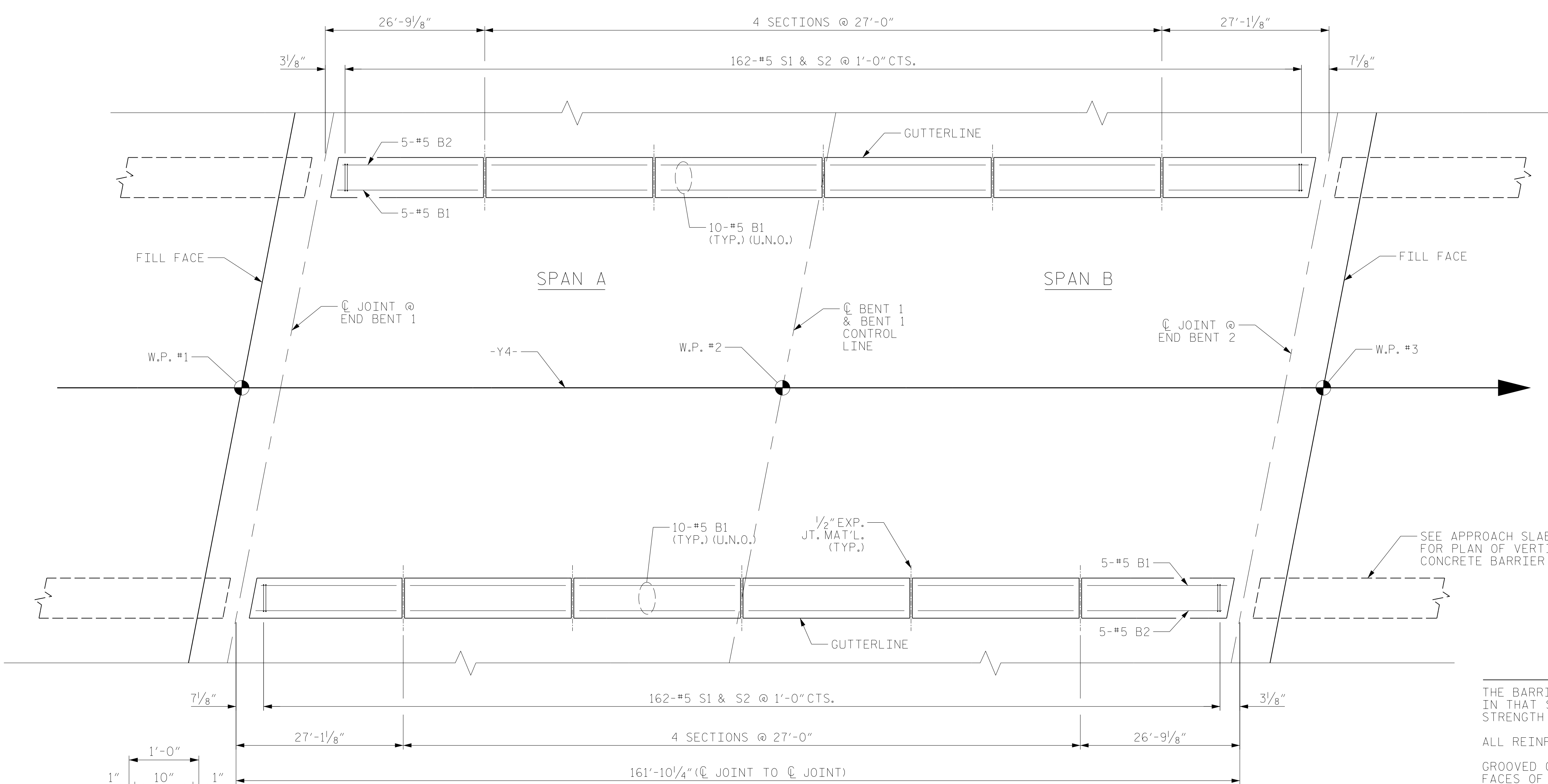
BAR TYPES



ALL BAR DIMENSIONS ARE OUT TO OUT

BILL OF MATERIAL

FOR VERTICAL CONCRETE BARRIER RAIL ONLY						
BAR	NO.	SIZE	TYPE	LENGTH	WEIGHT	
*B1	110	#5	STR	26'-6"	3040	
*B2	10	#5	STR	26'-4"	275	
*S1	324	#5	1	5'-9"	1943	
*S2	324	#5	2	7'-2"	2422	
* EPOXY COATED REINFORCING STEEL					7,680 LBS.	
CLASS AA CONCRETE					38.4 CU. YDS.	
VERTICAL CONCRETE BARRIER RAIL					323.5 LIN. FT.	



NOTES

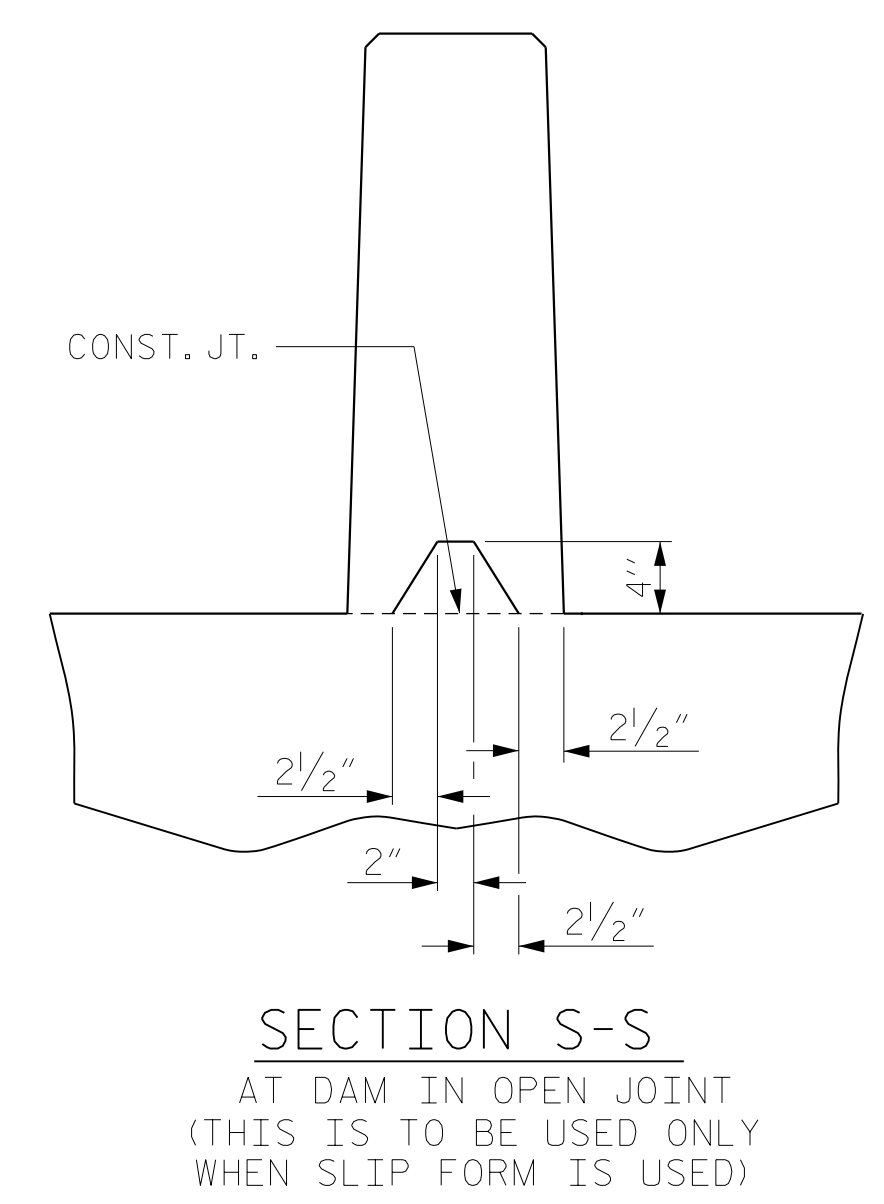
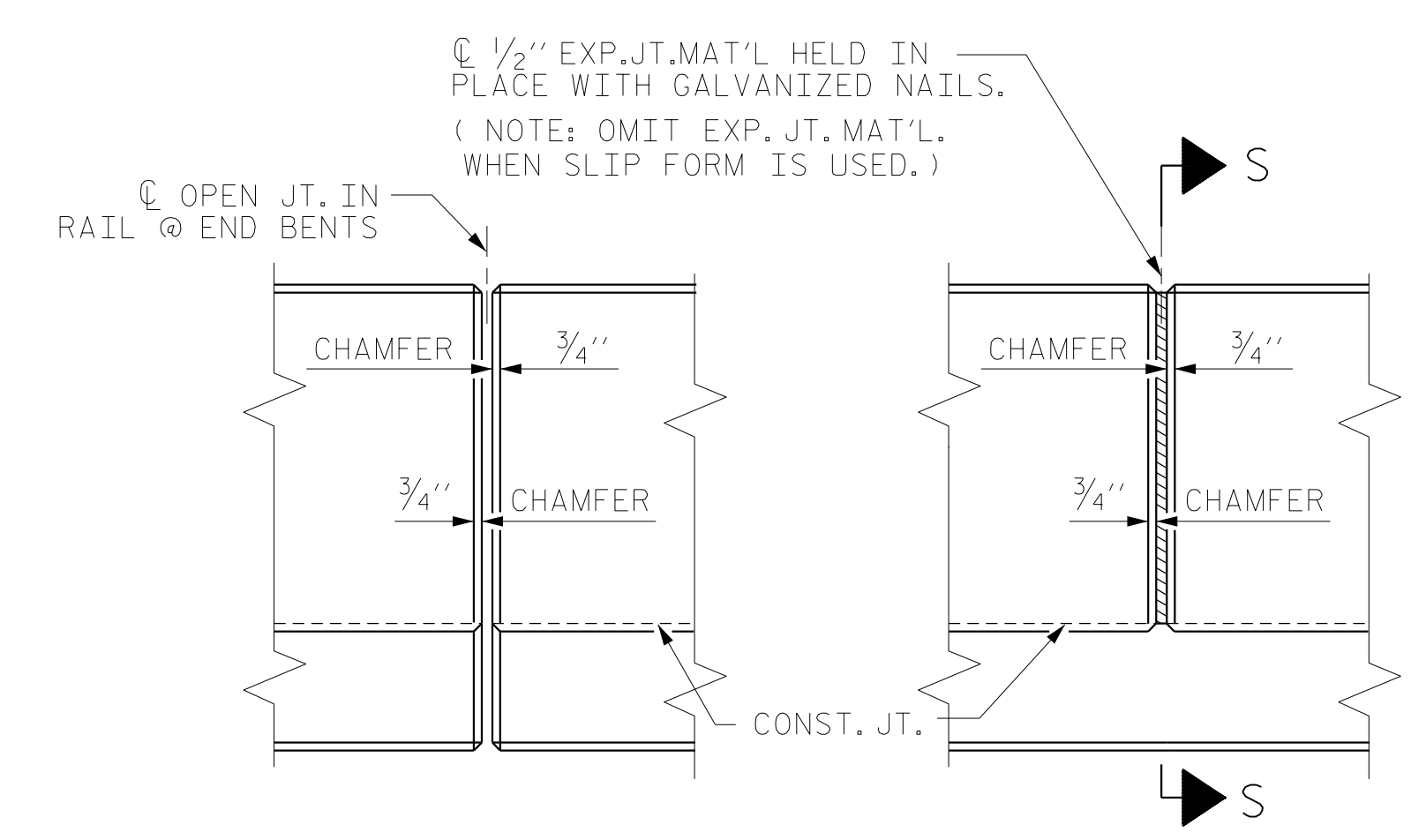
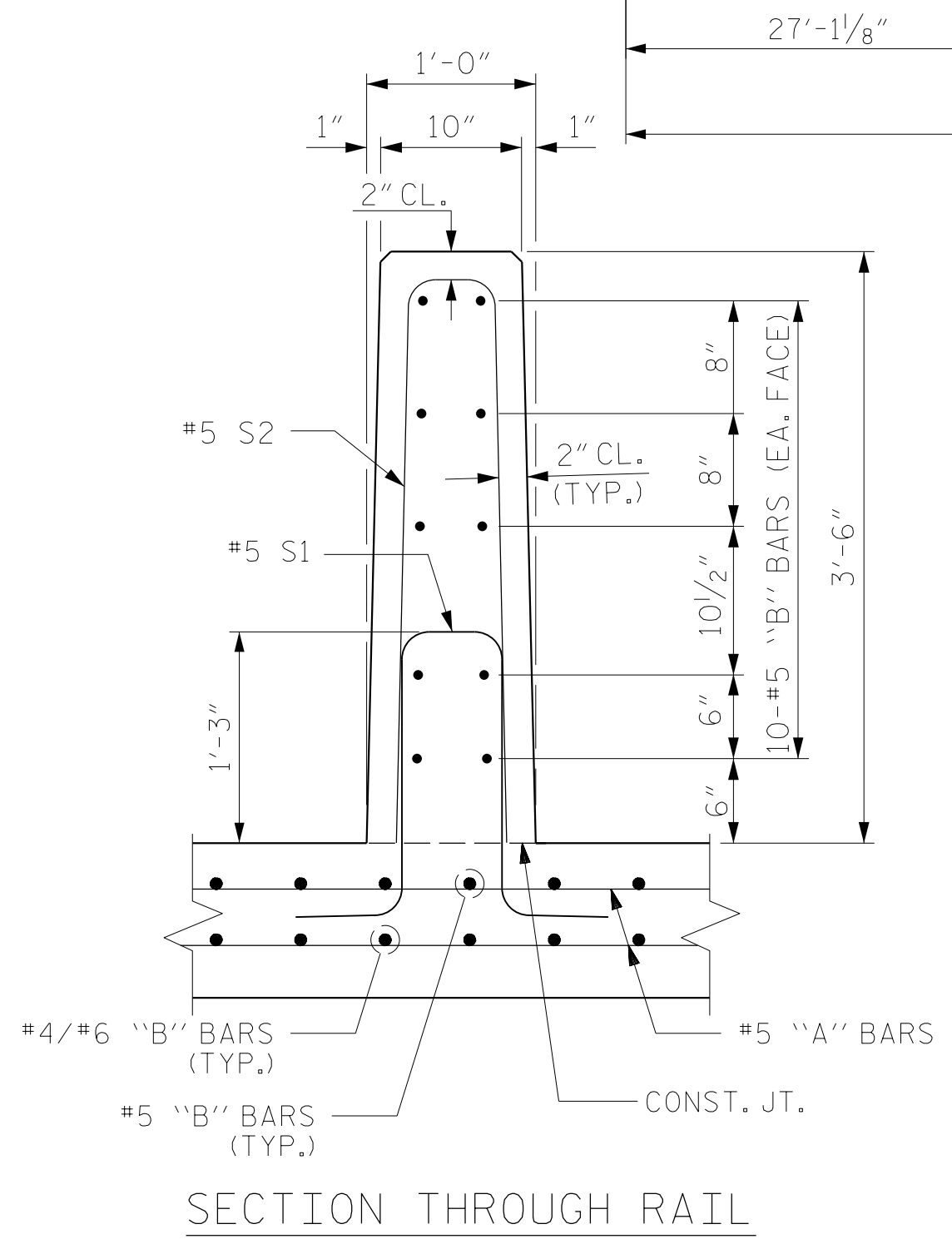
THE BARRIER RAIL IN EACH SPAN SHALL NOT BE CAST UNTIL ALL SLAB CONCRETE IN THAT SPAN HAS BEEN CAST AND HAS REACHED A MINIMUM COMPRESSIVE STRENGTH OF 3,000 PSI.

ALL REINFORCING STEEL IN BARRIER RAILS SHALL BE EPOXY COATED.

GROOVED CONTRACTION JOINTS, 1/2" IN DEPTH, SHALL BE TOOLED IN ALL EXPOSED FACES OF THE BARRIER RAIL AND IN ACCORDANCE WITH ARTICLE 825-10(B) OF THE STANDARD SPECIFICATIONS. THE CONTRACTION JOINT SHALL BE LOCATED AT EACH THIRD POINT BETWEEN BARRIER RAIL EXPANSION JOINTS. ONLY ONE CONTRACTION JOINT IS REQUIRED AT MIDPOINT OF BARRIER RAIL SEGMENTS LESS THAN 20 FEET IN LENGTH AND NO CONTRACTION JOINTS ARE REQUIRED FOR THOSE SEGMENTS LESS THAN 10 FEET IN LENGTH.

PLAN OF VERTICAL CONCRETE BARRIER RAIL

EXTERIOR BARRIER RAIL NOT SHOWN FOR CLARITY



ELEVATION AT EXPANSION JOINTS

BARRIER RAIL DETAILS

PROJECT NO. U-2579AB  
FORSYTH COUNTY  
 STATION: 30+67.66 -Y4-



RS&H Architects-Engineers-Planners, Inc.

8521 Six Forks Road, Suite 400  
 919-926-4100 FAX 919-846-9080  
 www.rsandh.com  
 North Carolina License No. 50737-5403-C&E

STATE OF NORTH CAROLINA  
 DEPARTMENT OF TRANSPORTATION  
 RALEIGH  
 SUPERSTRUCTURE  
 VERTICAL CONCRETE  
 BARRIER RAIL

REVISIONS						SHEET NO.
NO.	BY:	DATE:	NO.	BY:	DATE:	S2-17
1			3			TOTAL SHEETS
2			4			37

DRAWN BY : TRM DATE : 07/2019  
 CHECKED BY : JMR DATE : 09/2019  
 DESIGN ENGINEER OF RECORD: JMR DATE : 10/2019

DOCUMENT NOT CONSIDERED  
 FINAL UNLESS ALL  
 SIGNATURES COMPLETED