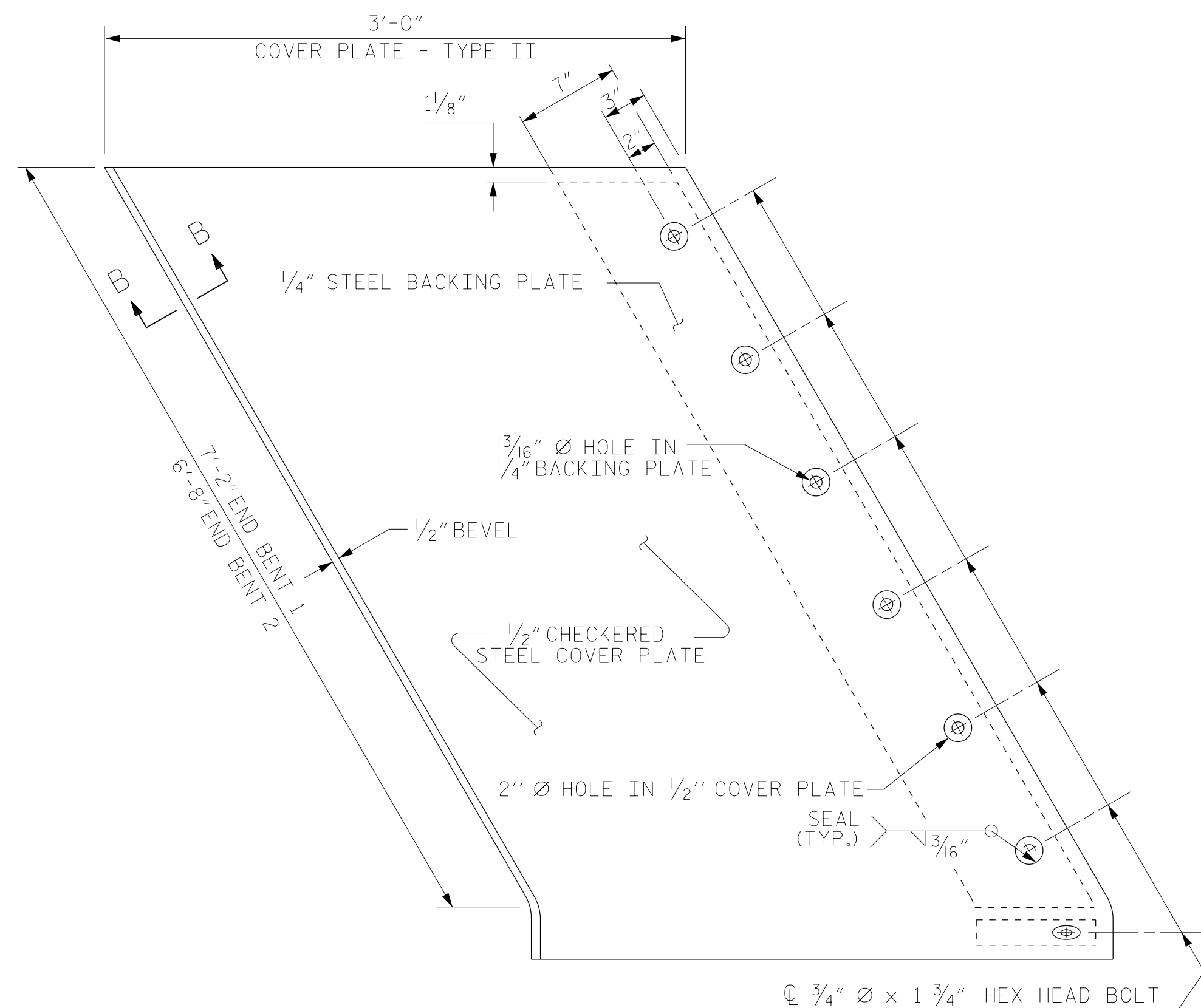


END VIEW
(NORMAL TO SIDEWALK)

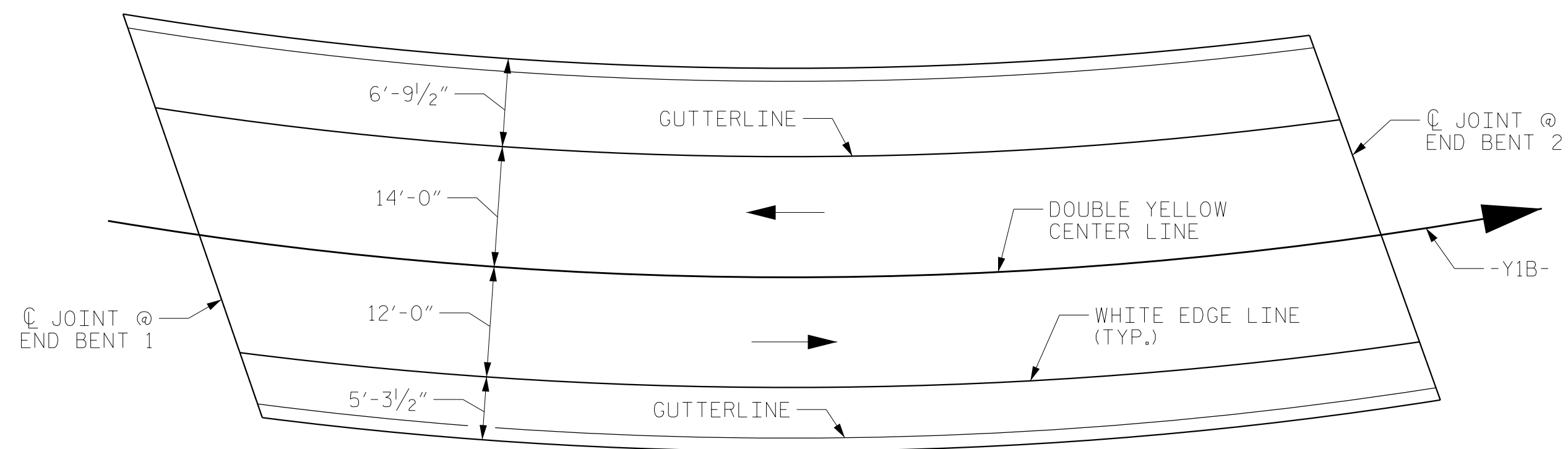
* CONCRETE RECESS DIMENSIONS:

- 1 3/16" FOR THE SIDE OF THE JOINT HAVING THE 1/2" COVER PLATE WITH A 1/4" BACKING PLATE.
- 9/16" FOR THE SIDE OF THE JOINT HAVING ONLY THE 1/2" COVER PLATE.

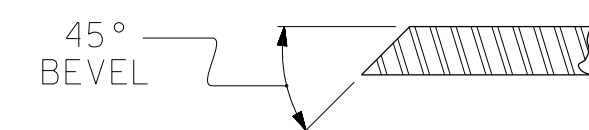


TYPE II - PLAN VIEW

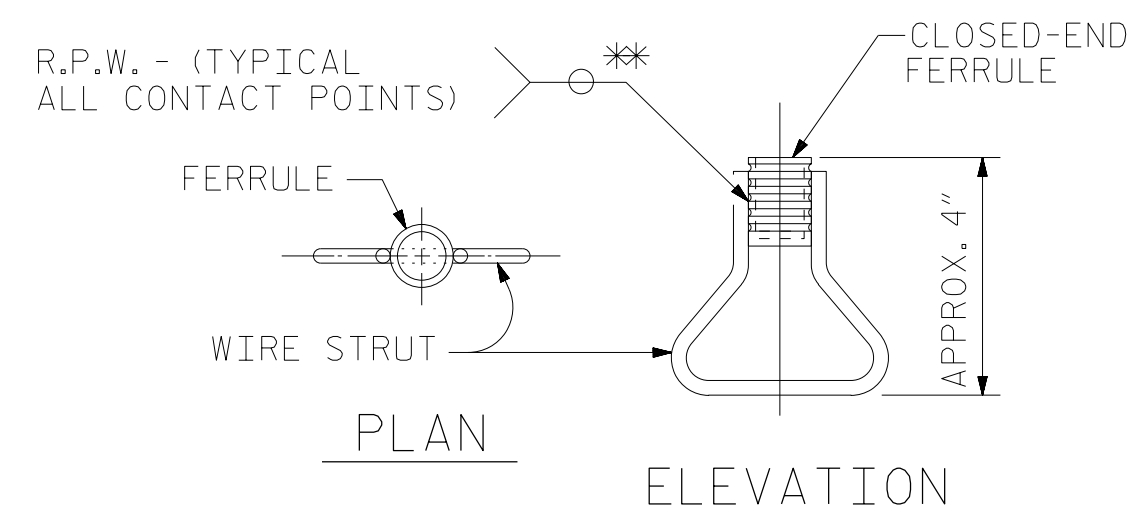
COVER PLATE DETAILS



PAVEMENT MARKING ALIGNMENT



SECTION B - B



CONCRETE INSERT

** EACH WELDED ATTACHMENT OF WIRE TO FERRULE SHALL DEVELOP THE TENSILE STRENGTH OF THE WIRE.

PROJECT NO. U-2579AB
FORSYTH COUNTY
 STATION: 22+26.35 -Y1B-

SHEET 3 OF 4



RS&H
 RS&H Architects-Engineers-Planners, Inc.
 8521 Six Forks Road, Suite 400
 919-926-4100 FAX 919-846-9080
 www.rsandh.com
 North Carolina License No. 50737-F-0403-C-03

STATE OF NORTH CAROLINA
 DEPARTMENT OF TRANSPORTATION
 RALEIGH
 STANDARD
 EXPANSION JOINT
 SEAL DETAILS
 FOR SIDEWALK

REVISIONS						SHEET NO.
NO.	BY:	DATE:	NO.	BY:	DATE:	S1-28
1			3			TOTAL SHEETS
2			4			47

ASSEMBLED BY : NSC	DATE : 08/2019
CHECKED BY : MRA	DATE : 11/2019
DRAWN BY : REK 10/87	REV. 5/1/06 TLA/GM
CHECKED BY : CRK 1/88	REV. 10/1/11 MAA/GM
	REV. 12/17 MAA/THC

DOCUMENT NOT CONSIDERED
 FINAL UNLESS ALL
 SIGNATURES COMPLETED