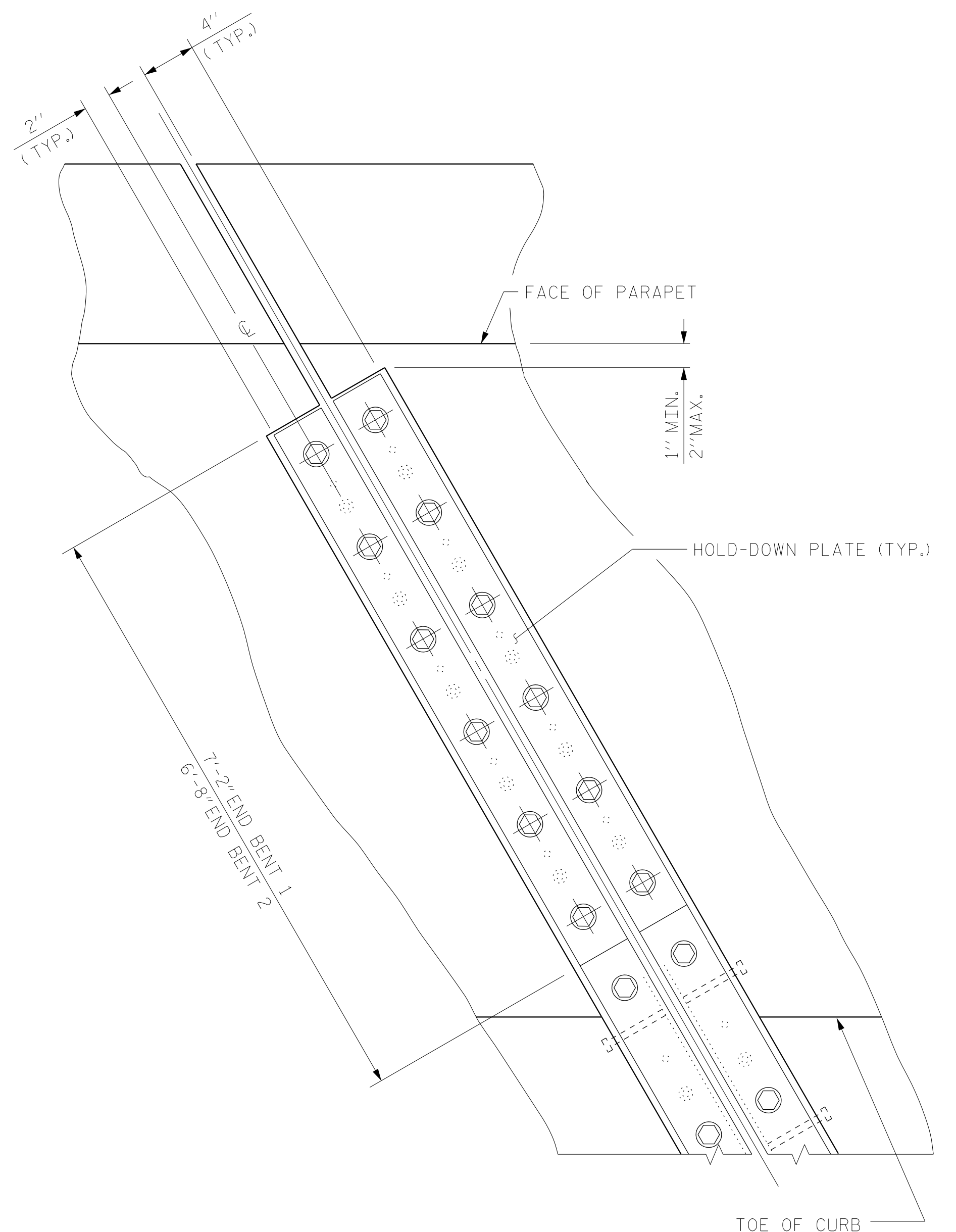
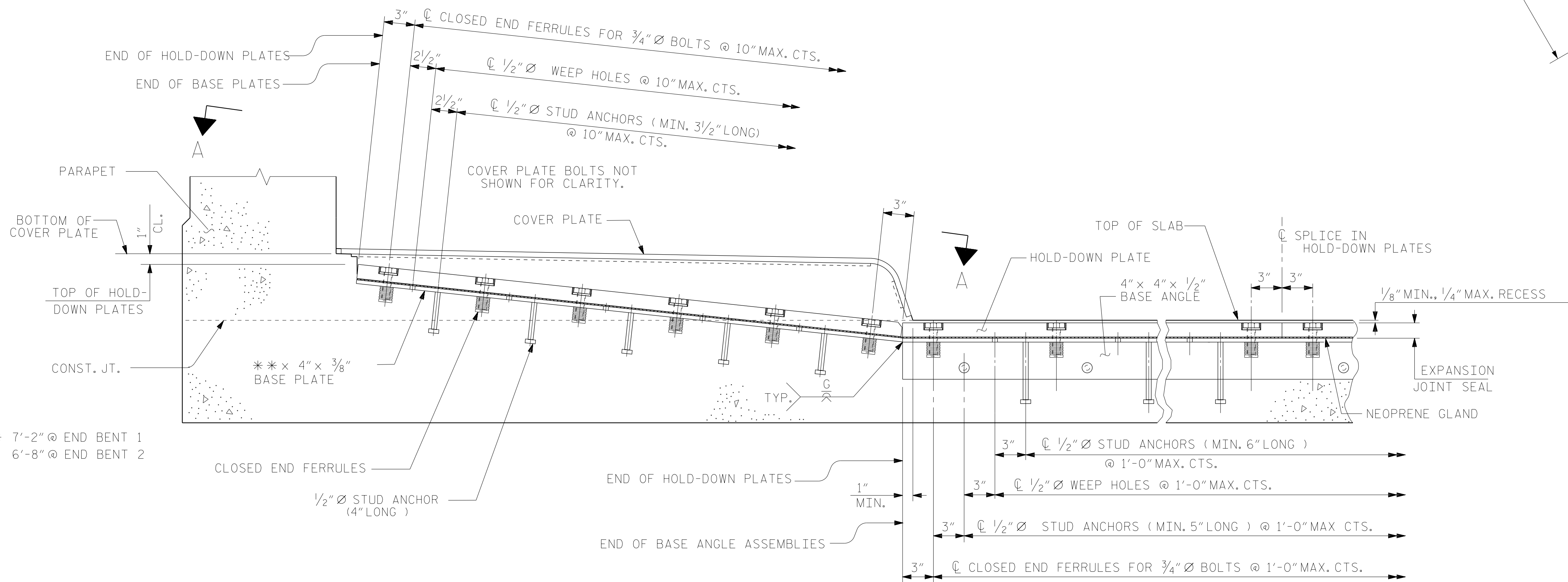


PLAN OF EXPANSION JOINT SEAL - LEFT SIDE



SECTION A - A



SECTION THRU SIDEWALK NORMAL TO JOINT

PROJECT NO. U-2579AB  
 FORSYTH COUNTY  
 STATION: 22+26.35 -Y1B-

SHEET 2 OF 4



**RS&H**  
 RS&H Architects-Engineers-Planners, Inc.  
 8521 Six Forks Road, Suite 400  
 919-926-4100 FAX 919-846-9080  
 www.rsandh.com  
 North Carolina License No. 50737-F0463-C28

STATE OF NORTH CAROLINA  
 DEPARTMENT OF TRANSPORTATION  
 RALEIGH  
 STANDARD  
 EXPANSION JOINT  
 SEAL DETAILS  
 FOR SIDEWALK

REVISIONS						SHEET NO.
NO.	BY:	DATE:	NO.	BY:	DATE:	S1-27
1			3			TOTAL SHEETS 47
2			4			

DOCUMENT NOT CONSIDERED FINAL UNLESS ALL SIGNATURES COMPLETED

ASSEMBLED BY : TRM	DATE : 08/2019
CHECKED BY : MRA	DATE : 11/2019
DRAWN BY : REK 10/87	REV. 5/1/06 TLA/GM
CHECKED BY : CRK 1/88	REV. 10/1/11 MAA/GM
	REV. 12/17 MAA/THG