

SPAN A

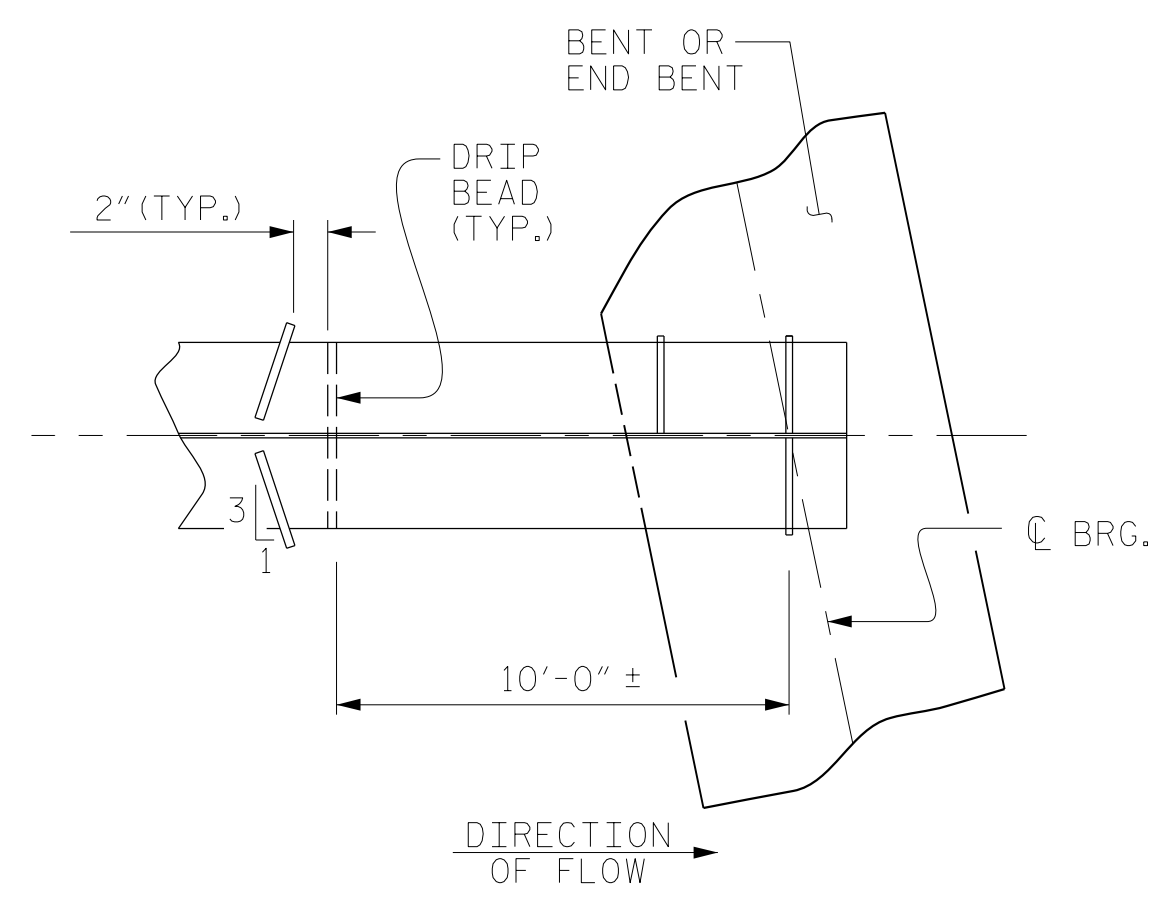
SPAN B

GIRDER MAKE-UP

CHARPY V-NOTCH TESTS FOR CONTINUOUS PLATE GIRDERS

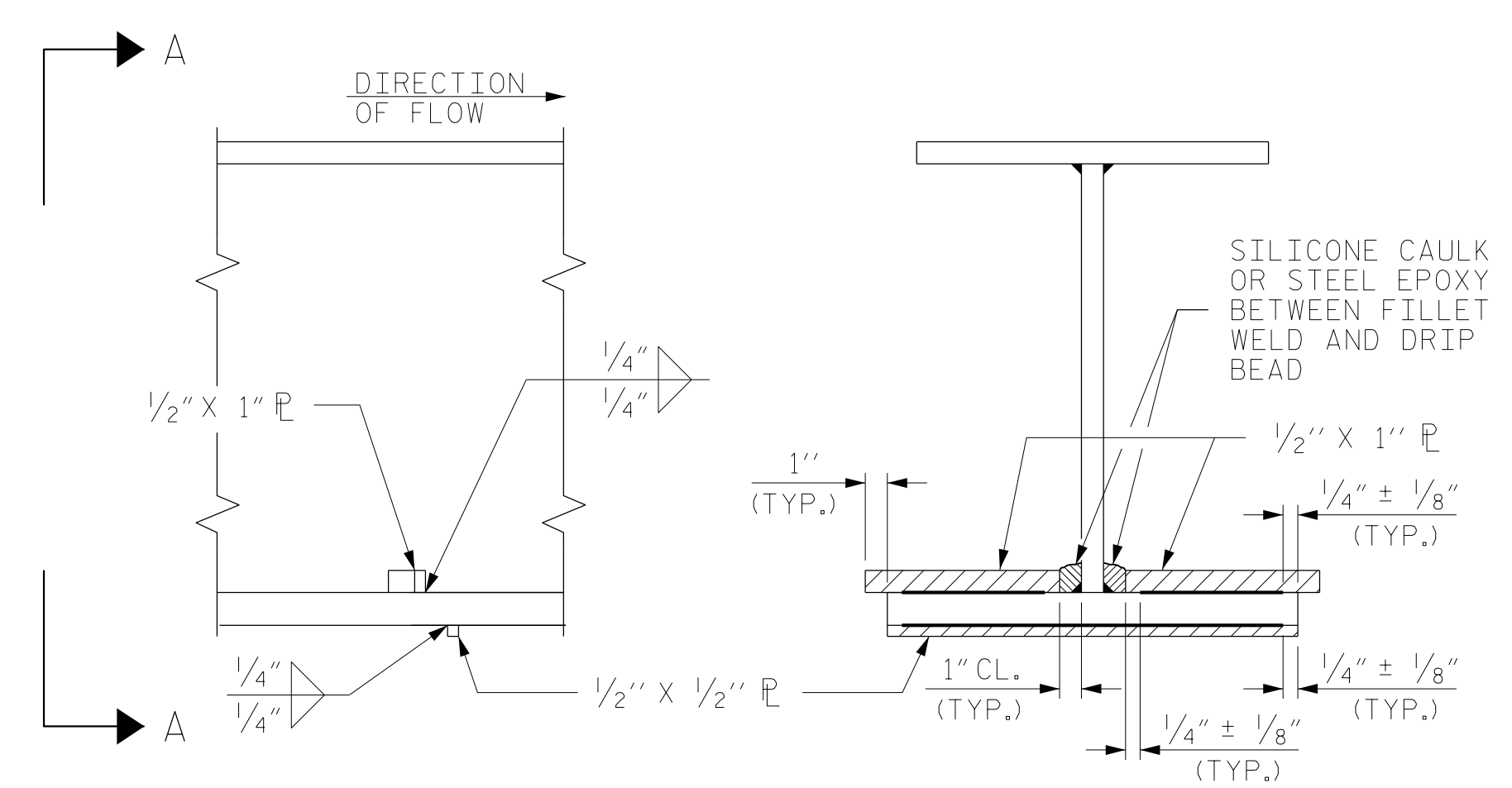
NOTES

- CHARPY V-NOTCH TEST ARE REQUIRED FOR ALL TOP OR BOTTOM FLANGE PLATES WHICH FALL WITHIN THESE LIMITS, ALL WEB PLATES, AND ALL SPLICE PLATES. IF A PERMITTED SHOP FLANGE SPLICE IS NOT USED, CHARPY V-NOTCH TEST WILL BE REQUIRED FOR THE ENTIRE FLANGE PLATE, FOR CHARPY V-NOTCH TESTS, SEE ARTICLE 1072-7 OF THE STANDARD SPECIFICATIONS.
- NO WELDING OF FORMS OR FALSEWORK TO THE TOP FLANGE WILL BE PERMITTED IN THIS REGION.



PART PLAN - BOTTOM FLANGE

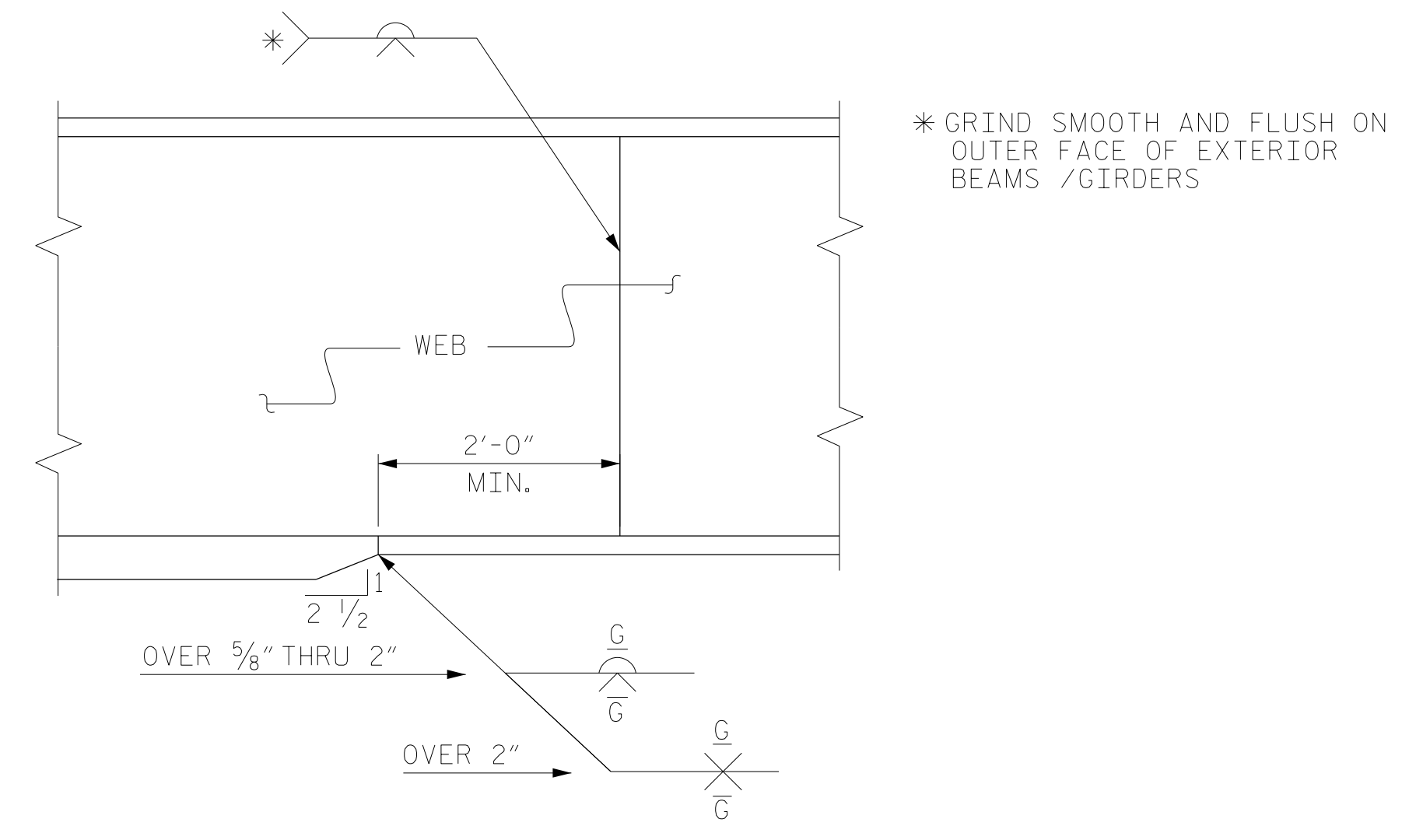
END BENT 2 SHOWN, BENT 1 SIMILAR
CROSSFRAMES AND BEARING ASSEMBLY NOT SHOWN FOR CLARITY



SECTION

VIEW A-A

DRIP BEAD DETAILS



ELEVATION

TYPICAL FLANGE AND WEB BUTT JOINT

PROJECT NO. U-2579AB
FORSYTH COUNTY
STATION: 22+26.35 -Y1B-

SHEET 3 OF 4



RS&H
RS&H Architects-Engineers-Planners, Inc.
8521 Six Forks Road, Suite 400
919-926-4100 FAX 919-846-9080
www.rsandh.com
North Carolina License No. 50737-F-0403-C-03

STATE OF NORTH CAROLINA
DEPARTMENT OF TRANSPORTATION
RALEIGH
SUPERSTRUCTURE
STRUCTURAL STEEL
DETAILS

REVISIONS						SHEET NO.
NO.	BY:	DATE:	NO.	BY:	DATE:	S1-15
1			3			TOTAL SHEETS
2			4			47

DRAWN BY : TRM DATE : .07/2019
CHECKED BY : JMR DATE : .11/2019
DESIGN ENGINEER OF RECORD: MAL DATE : .11/2019

DOCUMENT NOT CONSIDERED FINAL UNLESS ALL SIGNATURES COMPLETED