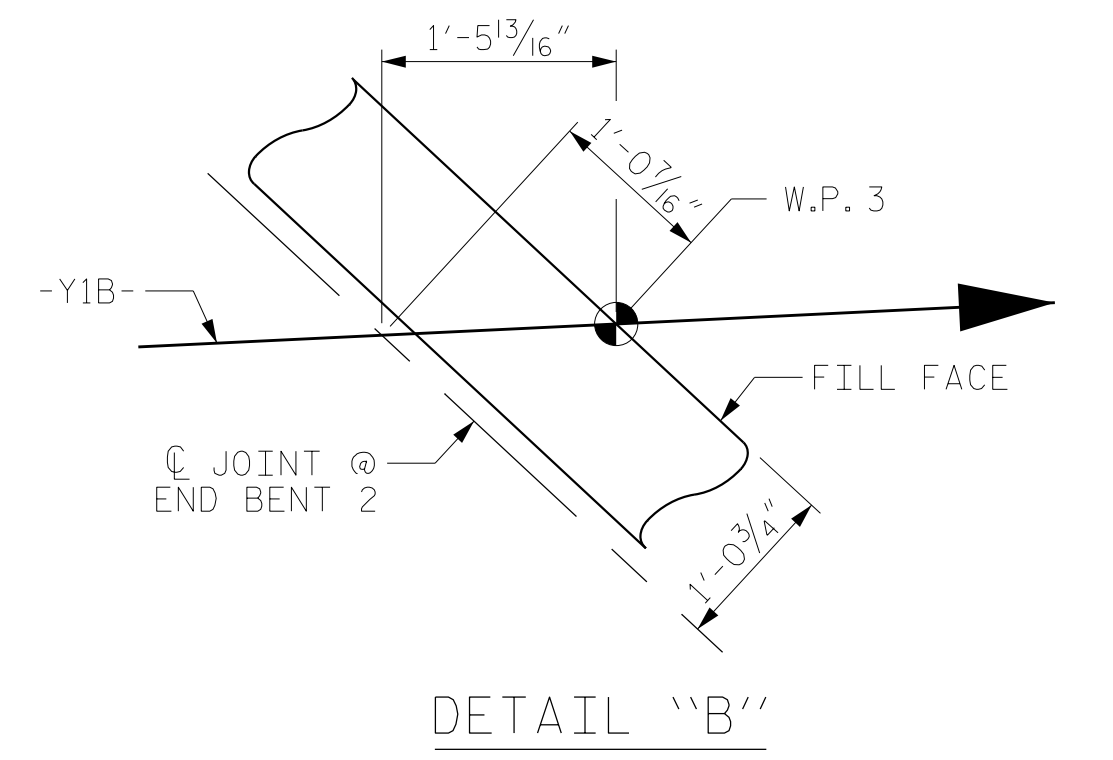
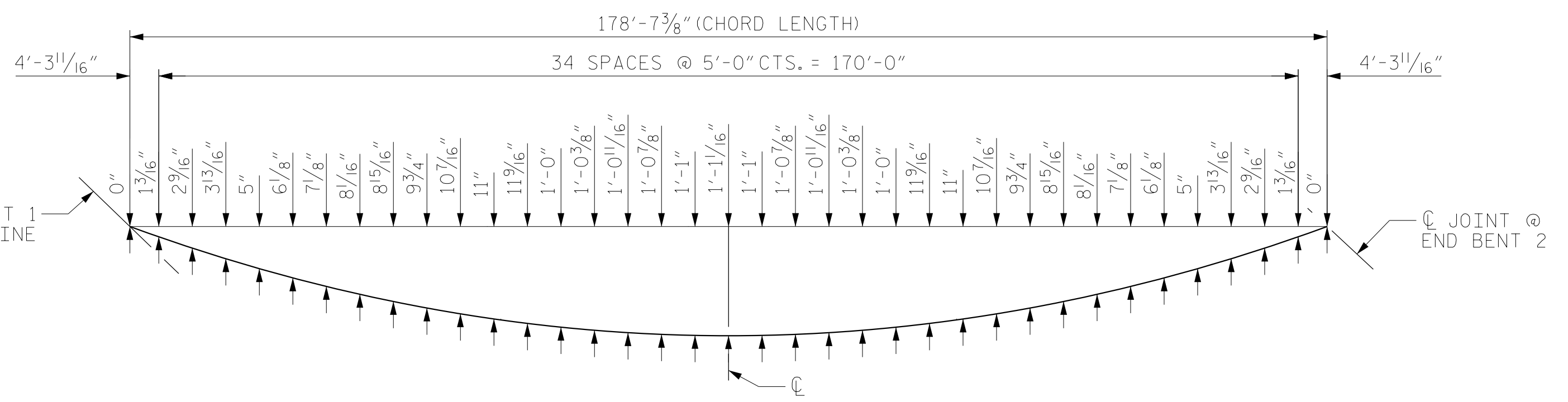
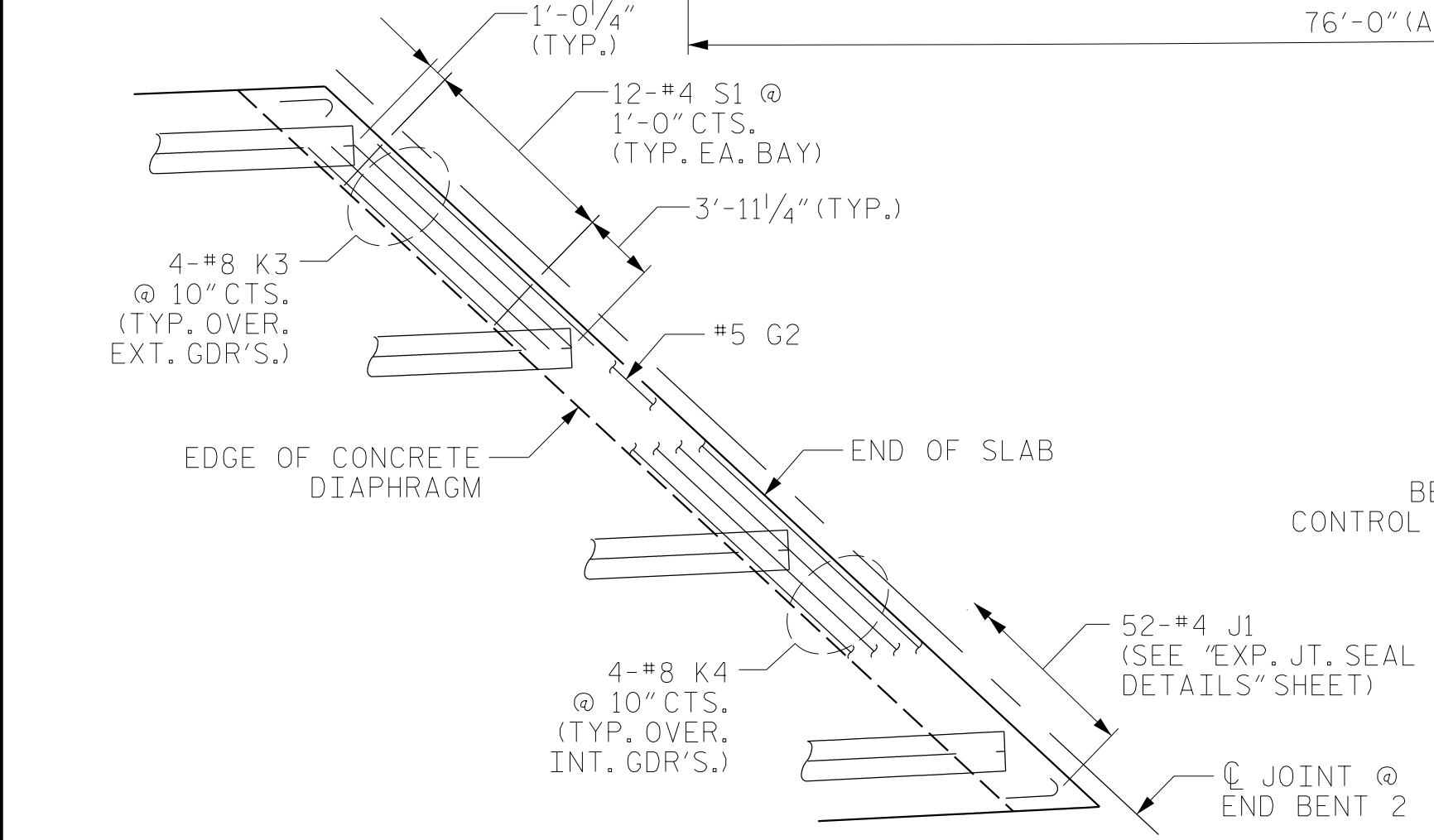
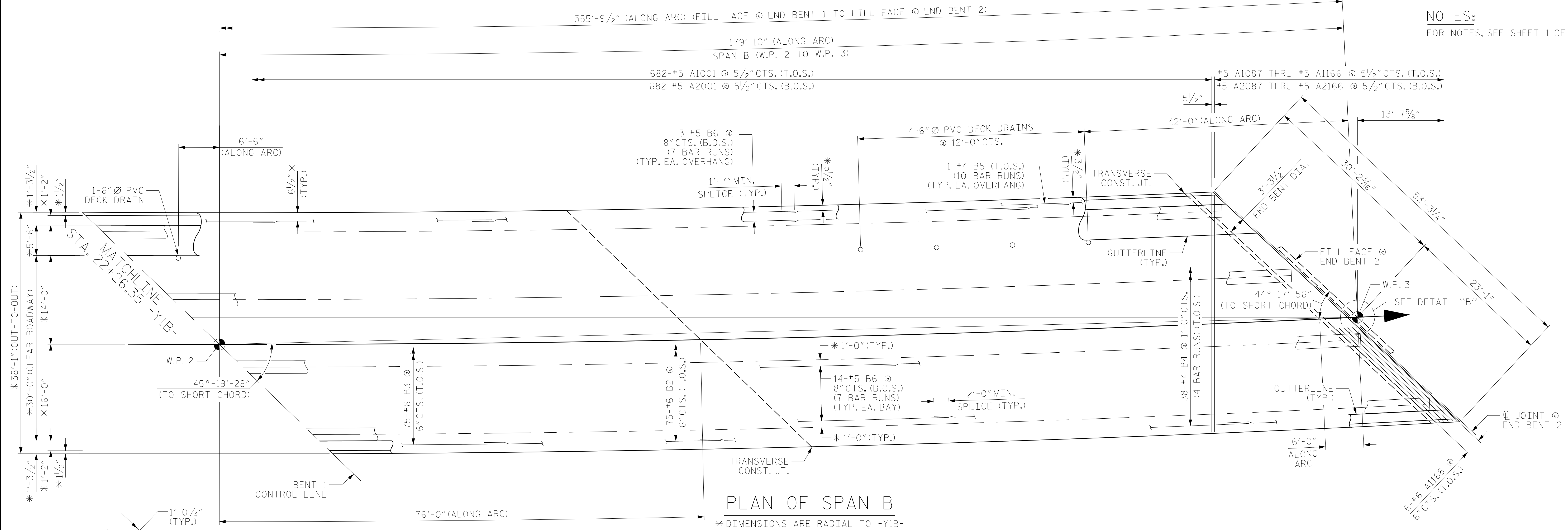
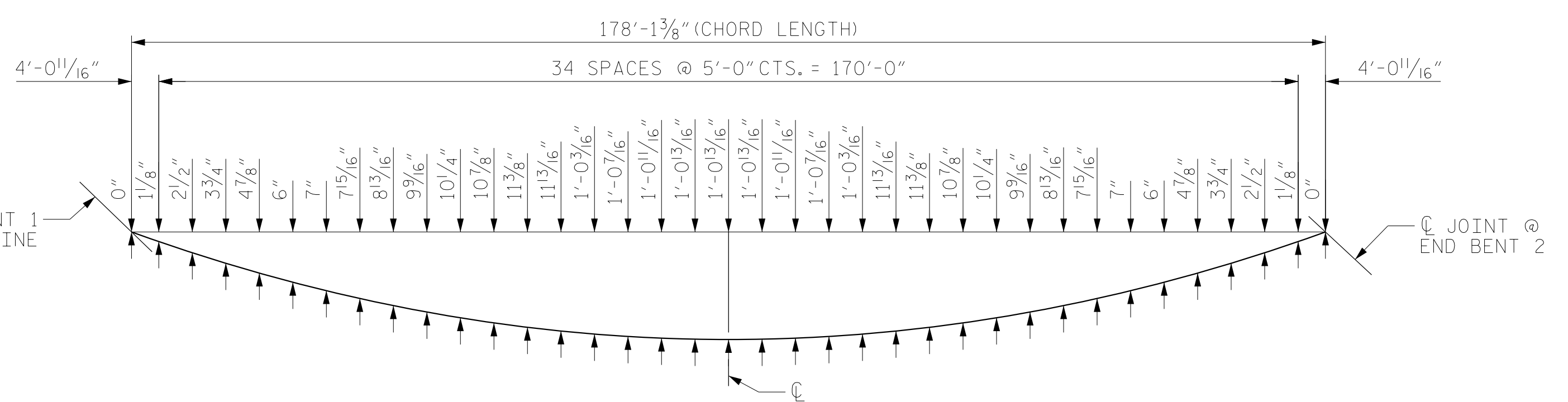
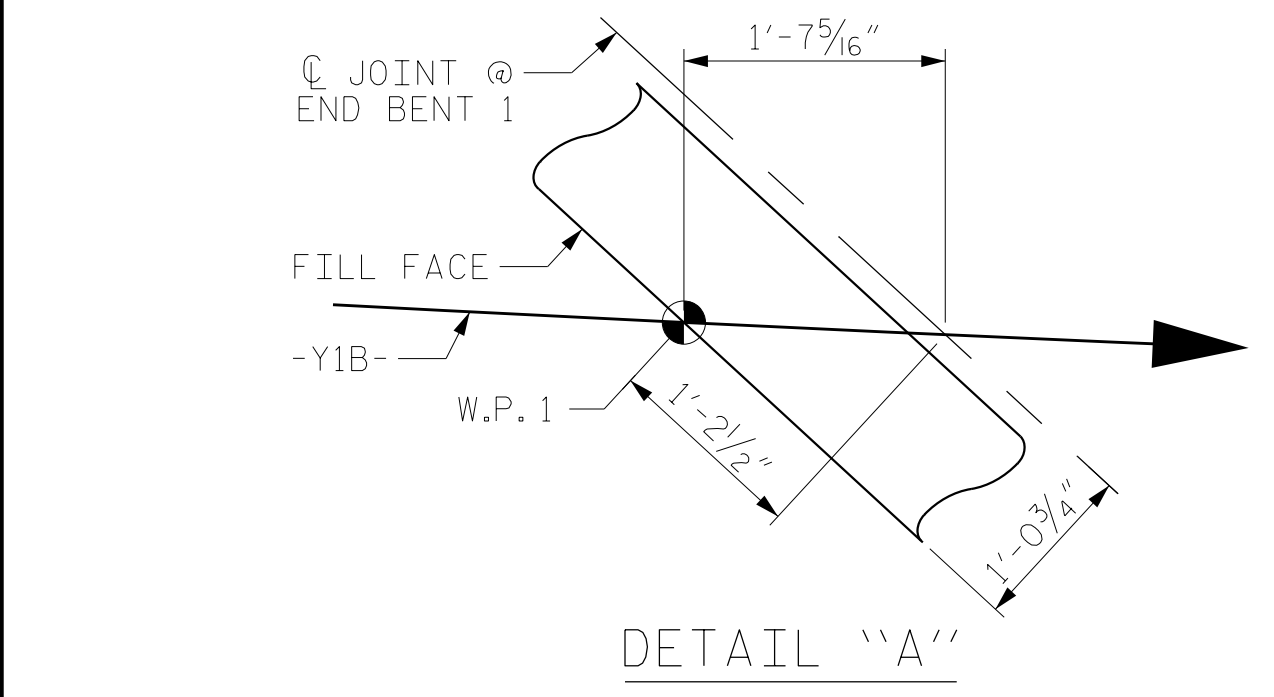


NOTES:
FOR NOTES, SEE SHEET 1 OF 2.



END BENT 2 DIAPHRAGM REINFORCING DETAILS

#5 G2 MAY BE SHIFTED SLIGHTLY, AS NECESSARY, TO CLEAR REINFORCING STEEL AND STIRRUPS



PROJECT NO. U-2579AB
FORSYTH COUNTY
STATION: 22+26.35 -Y1B-

SHEET 2 OF 2



RS&H
RS&H Architects-Engineers-Planners, Inc.
8521 Six Forks Road, Suite 400
919-926-4100 FAX 919-846-9080
www.rsandh.com
North Carolina License No. 50073-F-0403-C-02

STATE OF NORTH CAROLINA
DEPARTMENT OF TRANSPORTATION
RALEIGH
SUPERSTRUCTURE
PLAN OF SPAN B

DRAWN BY : MRA DATE : 10/2019
CHECKED BY : JMR DATE : 11/2019
DESIGN ENGINEER OF RECORD: MAL DATE : 11/2019

DOCUMENT NOT CONSIDERED
FINAL UNLESS ALL
SIGNATURES COMPLETED

REVISIONS						SHEET NO.
NO.	BY:	DATE:	NO.	BY:	DATE:	S1-10
1			3			TOTAL SHEETS
2			4			47