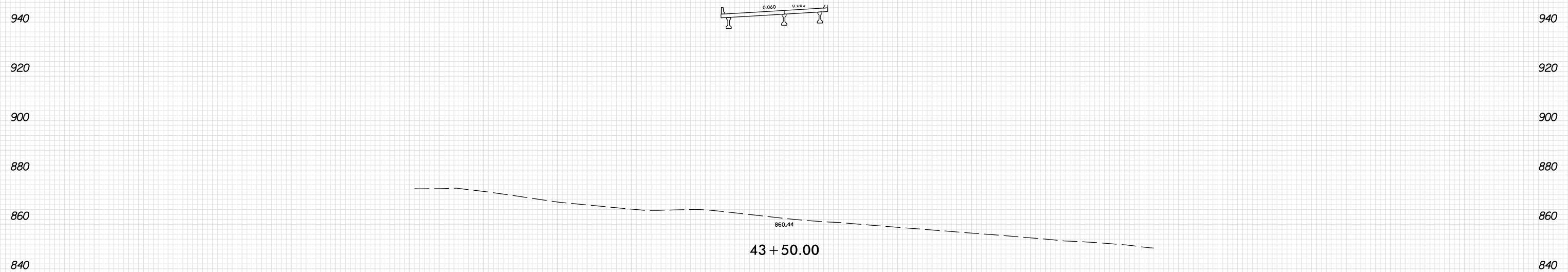
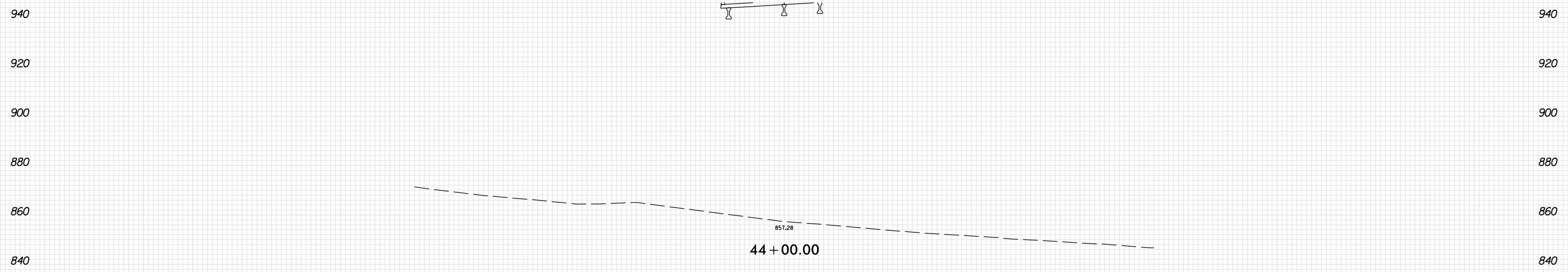


8/23/99

|         |                     |           |
|---------|---------------------|-----------|
| 0 10 20 | PROJ. REFERENCE NO. | SHEET NO. |
|         | U-2579AB            | X-451     |

300 280 260 240 220 200 180 160 140 120 100 80 60 40 20 0 20 40 60 80 100 120 140 160 180 200 220 240 260 280 300



-Y15FLYBD-

PLOT DRIVER: NCDOT\_pdf\_color\_eng\_100.plt  
 USER: SPEREIRA  
 FILE: \PENTABLE; xpl\_en\_v8.tbl  
 DATE: 6/10/2021  
 TIME: 2:26:51 PM

300 280 260 240 220 200 180 160 140 120 100 80 60 40 20 0 20 40 60 80 100 120 140 160 180 200 220 240 260 280 300