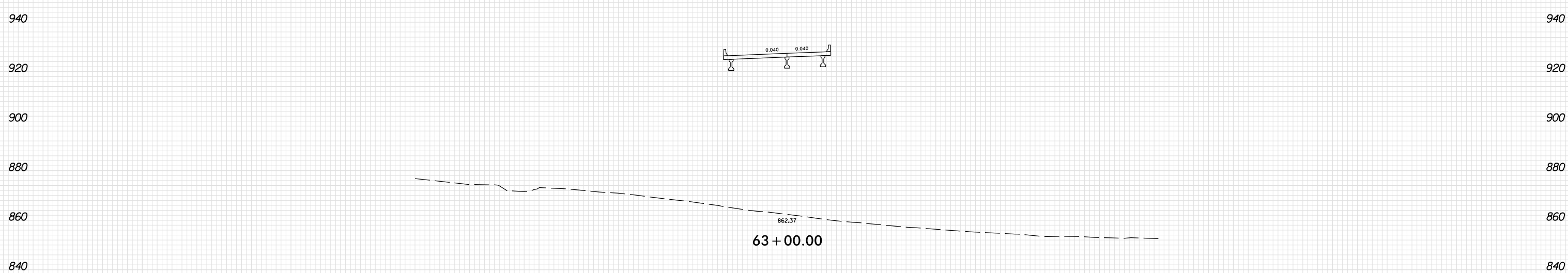
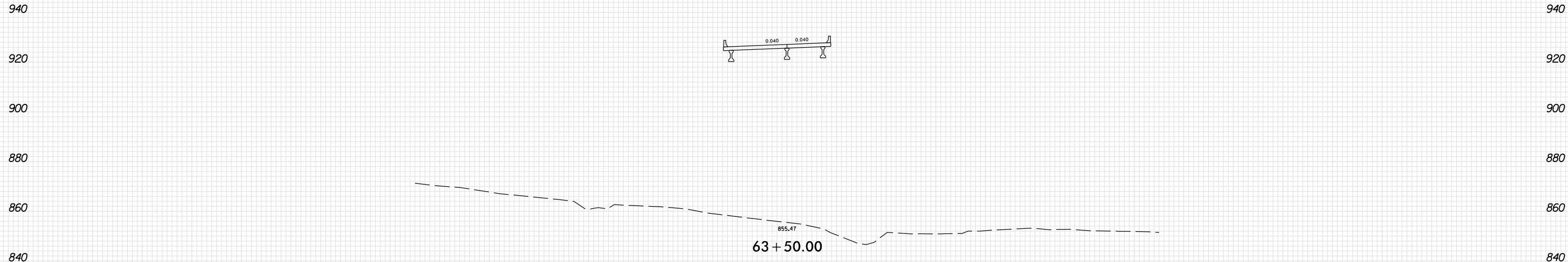
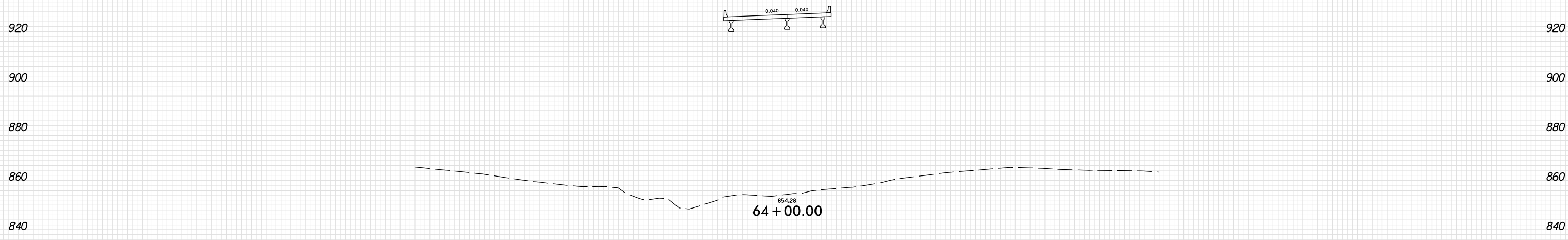


8/23/99

0 10 20	PROJ. REFERENCE NO.	SHEET NO.
	U-2579AB	X-426

940 300 280 260 240 220 200 180 160 140 120 100 80 60 40 20 0 20 40 60 80 100 120 140 160 180 200 220 240 260 280 300 940



300 280 260 240 220 200 180 160 140 120 100 80 60 40 20 0 20 40 60 80 100 120 140 160 180 200 220 240 260 280 300

-Y15FLYAC-

PLOT DRIVER: NCD01\_pdf\_color\_eng\_100.plt  
 USER: SPEREIRA  
 DATE: 6/10/2021  
 TIME: 2:26:04 PM  
 FILE: \