

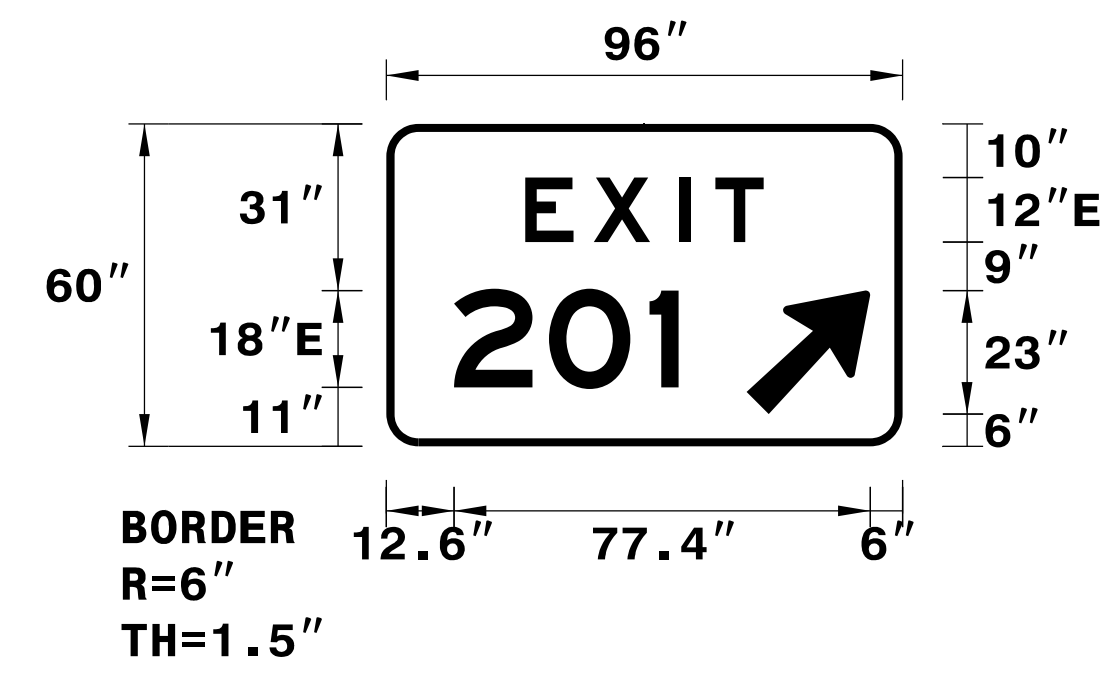
SIGN NUMBER: 211
 TYPE: A
 QUANTITY: 1
 SIGN WIDTH: 8'-0"
 HEIGHT: 5'-0"
 TOTAL AREA: 40.0 Sq.Ft.
 BORDER TYPE: FLUSH
 RECESS: 0"
 WIDTH: 1.5"
 RADII: 6"
 NO. Z BARS: 2
 LENGTH: 88.0

BACKG COLOR: Green
 COPY COLOR: White

SYMBOL	X	Y	WID	HT
AR_Type A	67	6	18.3	29.3

MAT'L: 0.125" (3.2 mm) ALUMINUM

DESIGN BY: R DRAYTON
 PROJECT ID: U-2579AB
 CHECKED BY: R KING
 Dec 03, 2019
 DIV: 9



INCREASE "EXIT" SPACING BY 2.25
 Spacing Factor is 1 unless specified otherwise

USE NOTES: 1,2
 1. Legend and border(except those that are colored black) shall be direct applied Grade C sheeting.
 2. Background shall be Grade C reflective sheeting.

LETTER POSITIONS

Letter spacings are to start of next letter													Series/Size
													Text Length
	E	X	I	T									E 2000
25.8	12.8	15.8	6.8	9	25.8								44.4
	2	0	1										E 2000
12.6	17.6	18.7	5.4	41.6									41.8

FILENAME: SignDesigns NORTH CAROLINA D.O.T. SIGN DETAIL

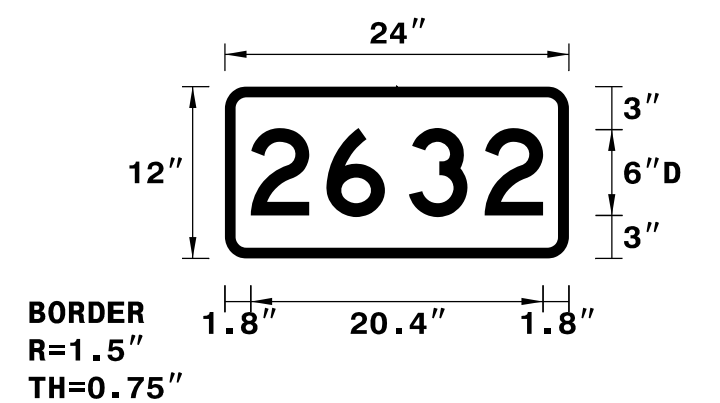
SIGN NUMBER: 301 & 302
 TYPE: D
 QUANTITY: 2
 SIGN WIDTH: 2'-0"
 HEIGHT: 1'-0"
 TOTAL AREA: 2.0 Sq.Ft.
 BORDER TYPE: FLUSH
 RECESS: 0"
 WIDTH: 0.75"
 RADII: 1.5"
 NO. Z BARS: 1
 LENGTH:

BACKG COLOR: Green
 COPY COLOR: White

SYMBOL	X	Y	WID	HT

MAT'L: 0.125" (3.2 mm) ALUMINUM

DESIGN BY: R DRAYTON
 PROJECT ID: U-2579AB
 CHECKED BY: R KING
 Dec 03, 2019
 DIV: 9



Spacing Factor is 1 unless specified otherwise

USE NOTES: 1,2
 1. Legend and border(except those that are colored black) shall be direct applied Grade C sheeting.
 2. Background shall be Grade C reflective sheeting.

LETTER POSITIONS

Letter spacings are to start of next letter													Series/Size
													Text Length
	2	6	3	2									D 2000
1.8	5.3	5.8	5.3	4.1	1.8								20.4

FILENAME: SignDesigns NORTH CAROLINA D.O.T. SIGN DETAIL

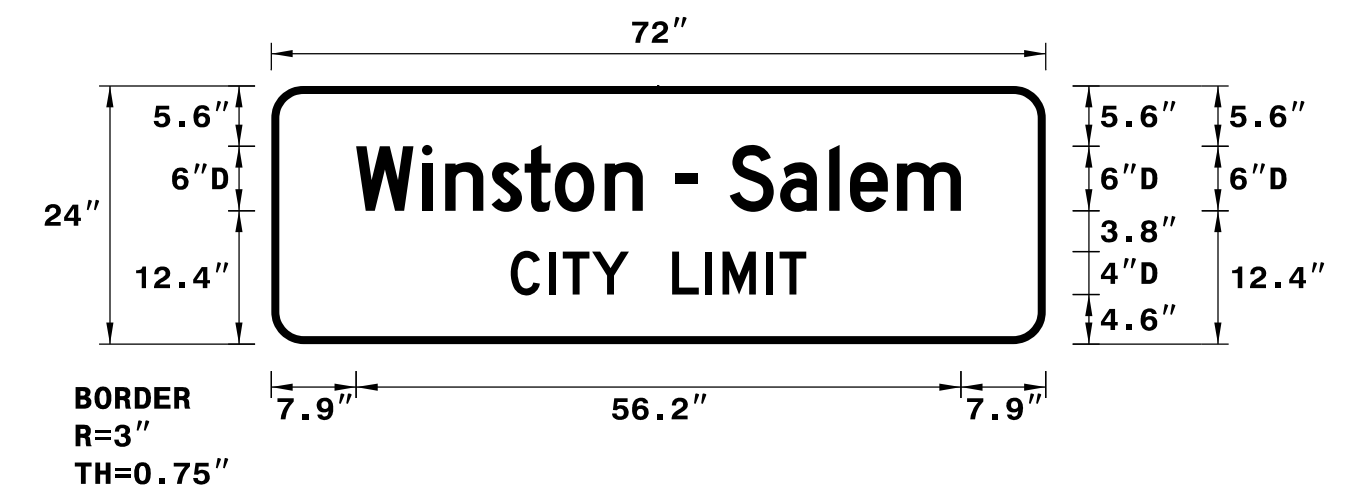
SIGN NUMBER: 305
 TYPE: D
 QUANTITY: 1
 SIGN WIDTH: 6'-0"
 HEIGHT: 2'-0"
 TOTAL AREA: 12.0 Sq.Ft.
 BORDER TYPE: FLUSH
 RECESS: 0"
 WIDTH: 0.75"
 RADII: 3"
 NO. Z BARS: 1
 LENGTH:

BACKG COLOR: Green
 COPY COLOR: White

SYMBOL	X	Y	WID	HT

MAT'L: 0.125" (3.2 mm) ALUMINUM

DESIGN BY: R DRAYTON
 PROJECT ID: U-2579AB
 CHECKED BY: R KING
 Sep 18, 2020
 DIV: 9



Spacing Factor is 1 unless specified otherwise

USE NOTES: 1,2
 1. Legend and border(except those that are colored black) shall be direct applied Grade C sheeting.
 2. Background shall be Grade C reflective sheeting.

LETTER POSITIONS

Letter spacings are to start of next letter																		Series/Size
																		Text Length
	W	i	n	s	t	o	n	-	s	a	l	e	m					D 2000
7.9	6.1	2.2	4.3	3.1	2.8	4.6	3.5	3	2.1	3	4.7	4.6	1.9	4.4	5.9	7.9	56.2	
	C	I	T	Y		L	I	M	I	T								D 2000
22.3	3.6	1.2	2.7	3.4	4	3.1	1.6	4.1	1.2	2.5	22.3						27.5	

FILENAME: SignDesigns NORTH CAROLINA D.O.T. SIGN DETAIL

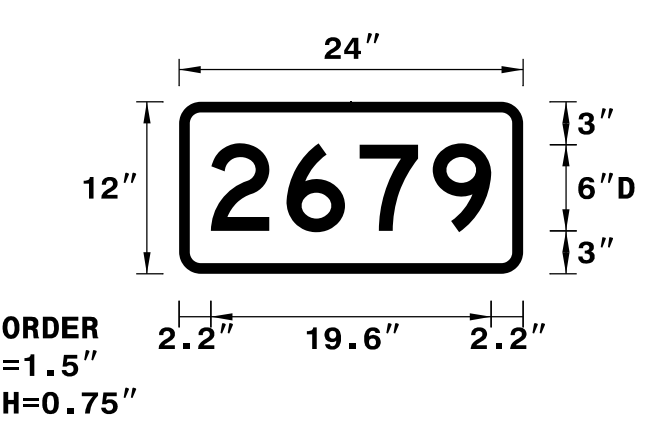
SIGN NUMBER: 303 & 304
 TYPE: D
 QUANTITY: 2
 SIGN WIDTH: 2'-0"
 HEIGHT: 1'-0"
 TOTAL AREA: 2.0 Sq.Ft.
 BORDER TYPE: FLUSH
 RECESS: 0"
 WIDTH: 0.75"
 RADII: 1.5"
 NO. Z BARS: 1
 LENGTH:

BACKG COLOR: Green
 COPY COLOR: White

SYMBOL	X	Y	WID	HT

MAT'L: 0.125" (3.2 mm) ALUMINUM

DESIGN BY: R DRAYTON
 PROJECT ID: U-2579AB
 CHECKED BY: R KING
 Dec 03, 2019
 DIV: 9



Spacing Factor is 1 unless specified otherwise

USE NOTES: 1,2
 1. Legend and border(except those that are colored black) shall be direct applied Grade C sheeting.
 2. Background shall be Grade C reflective sheeting.

LETTER POSITIONS

Letter spacings are to start of next letter													Series/Size
													Text Length
	2	6	7	9									D 2000
2.2	5.3	5.1	5.1	4.1	2.2								19.6

FILENAME: SignDesigns NORTH CAROLINA D.O.T. SIGN DETAIL

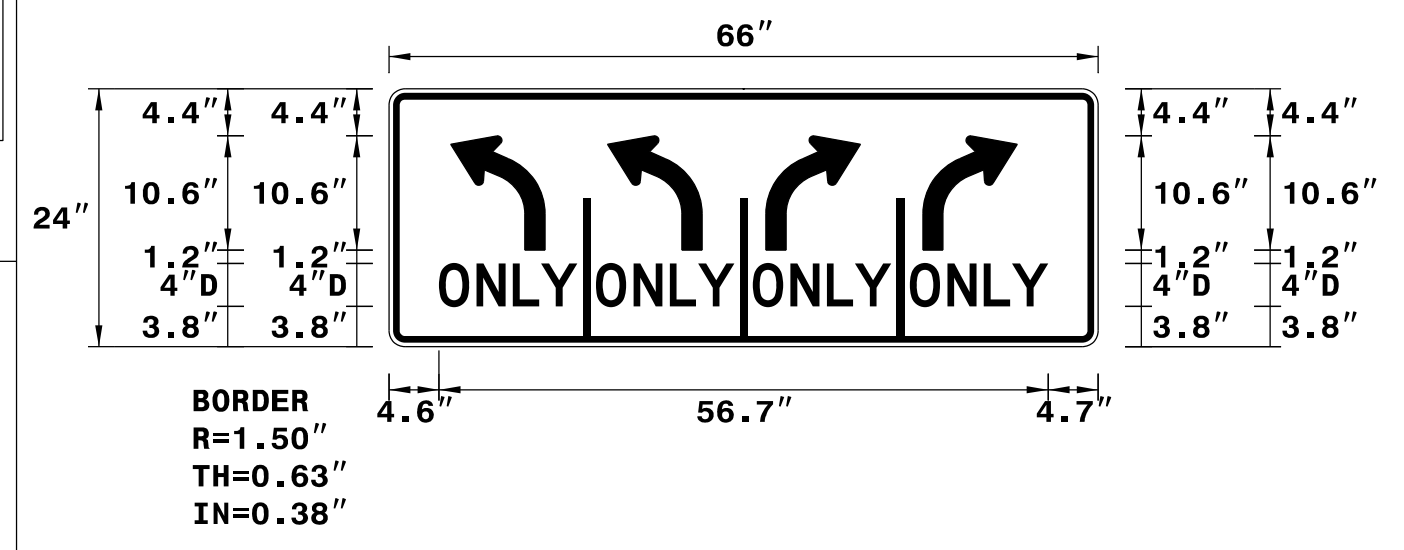
SIGN NUMBER: 306 & 307
 TYPE: D
 QUANTITY: 2
 SIGN WIDTH: 5'-6"
 HEIGHT: 2'-0"
 TOTAL AREA: 11.0 Sq.Ft.
 BORDER TYPE: RECESSED
 RECESS: 0.38"
 WIDTH: 0.63"
 RADII: 1.50"
 NO. Z BARS: 1
 LENGTH:

BACKG COLOR: White
 COPY COLOR: Black

SYMBOL	X	Y	WID	HT
ARROW (LEFT)	5.7	9	8.8	10.6
ARROW (LEFT)	20.3	9	8.8	10.6
ARROW (RIGHT)	35.1	9	8.8	10.6
ARROW (RIGHT)	49.7	9	8.8	10.6

MAT'L: 0.125" (3.2 mm) ALUMINUM

DESIGN BY: R DRAYTON
 PROJECT ID: U-2579AB
 CHECKED BY: R KING
 May 27, 2021
 DIV: 9



Spacing Factor is 1 unless specified otherwise

USE NOTES: 1,2
 1. Legend and border(except those that are colored black) shall be direct applied Grade C sheeting.
 2. Background shall be Grade C reflective sheeting.

LETTER POSITIONS

Letter spacings are to start of next letter													Series/Size
													Text Length
	O	N	L	Y									D
4.6	3.5	3.4	2.6	3.4	48.5								12.9
	O	N	L	Y									D
19.3	3.5	3.4	2.6	3.4	33.9								12.9
	O	N	L	Y									D
33.9	3.5	3.4	2.6	3.4	19.3								12.9
	O	N	L	Y									D
48.5	3.5	3.4	2.6	3.4	4.7								12.9

FILENAME: SignDesigns NORTH CAROLINA D.O.T. SIGN DETAIL

PROJECT REFERENCE NO. U-2579AB SHEET NO. SIGN-4T

10/13/2021

DOCUMENT NOT CONSIDERED FINAL
 UNLESS ALL SIGNATURES COMPLETED

HDR Engineering, Inc. of the Carolinas
 555 Fayetteville St. Suite 900 Raleigh, N.C. 27601
 N.C.B.E.L.S. License Number: F-0116

**SIGN
 DESIGNS**