

**DOCUMENT NOT CONSIDERED FINAL
UNLESS ALL SIGNATURES COMPLETED**

HDR HDR Engineering, Inc. of the Carolinas
555 Fayetteville St, Suite 900 Raleigh, N.C. 27601
N.C.B.E.L.S. License Number: F-0116

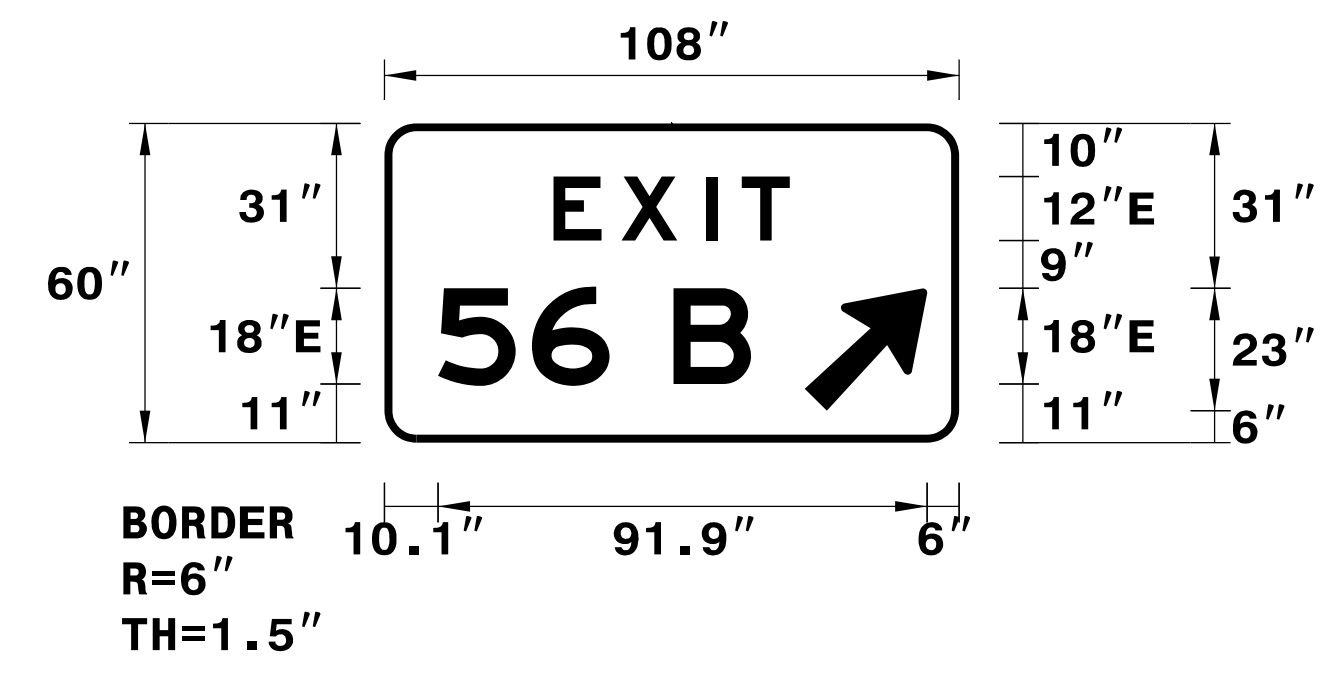
SIGN NUMBER: 205A
TYPE: A
QUANTITY: 1
SIGN WIDTH: 9'-0"
HEIGHT: 5'-0"
TOTAL AREA: 45.0 Sq.Ft.
BORDER TYPE: FLUSH
RECESS: 0"
WIDTH: 1.5"
RADII: 6"
NO. Z BARS: 2
LENGTH: 100.0

BACKG COLOR: Green
COPY COLOR: White

SYMBOL	X	Y	WID	HT
AR_Type A	79	6	18.3	29.3

MAT'L: 0.125" (3.2 mm) ALUMINUM

DESIGN BY: R DRAYTON
PROJECT ID: U-2579AB
CHECKED BY: R KING
Dec 03, 2019
DIV: 9



USE NOTES: 1,2
1. Legend and border(except those that are colored black) shall be direct applied Grade C sheeting.
2. Background shall be Grade C reflective sheeting.

BORDER R=6" TH=1.5"
INCREASE "EXIT" SPACING BY 2.25
Spacing Factor is 1 unless specified otherwise

LETTER POSITIONS

Letter spacings are to start of next letter										Series/Size
	E	X	I	T						Text Length
	31.8	12.8	15.8	6.8	9	31.8				E 2000
		5	6		B					44.4
	10.1	17.6	14.6	12	14.6	39.1				E 2000
										58.8

FILENAME: SignDesigns NORTH CAROLINA D.O.T. SIGN DETAIL

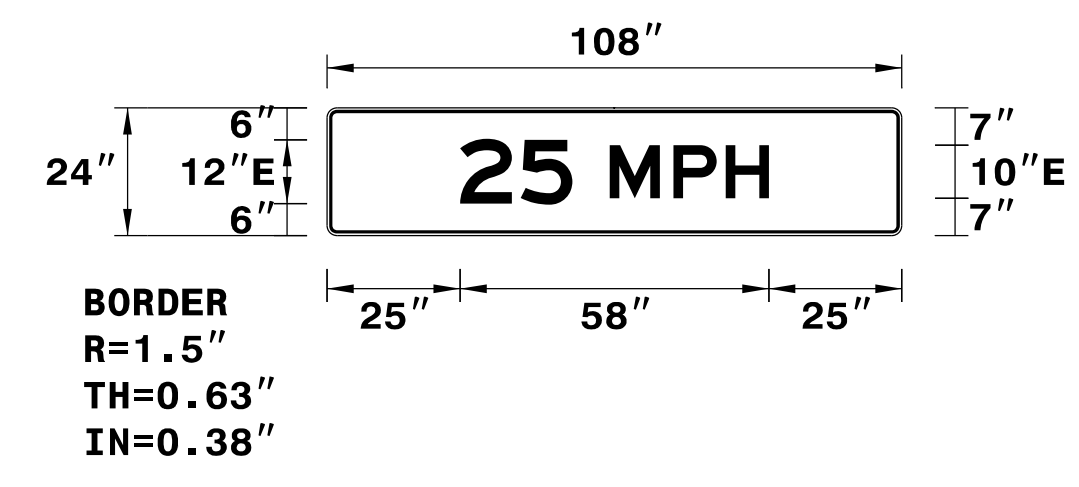
SIGN NUMBER: 205B
TYPE: B
QUANTITY: 1
SIGN WIDTH: 9'-0"
HEIGHT: 2'-0"
TOTAL AREA: 18.0 Sq.Ft.
BORDER TYPE: RECESSED
RECESS: 0.38"
WIDTH: 0.63"
RADII: 1.5"
NO. Z BARS: 2
LENGTH: 100.0

BACKG COLOR: Yellow
COPY COLOR: Black

SYMBOL	X	Y	WID	HT
AR_Type A	79	6	18.3	29.3

MAT'L: 0.125" (3.2 mm) ALUMINUM

DESIGN BY: R DRAYTON
PROJECT ID: U-2579AB
CHECKED BY: R KING
Jan 28, 2020
DIV: 9



USE NOTES: 1 & 2
1. Legend and border(except those that are colored black) shall be direct applied Grade C sheeting.
2. Background shall be Grade C reflective sheeting.
3. Shields; A, B, and C type arrows shall be on 0.032" (0.8mm) aluminum and demountable.

BORDER R=1.5" TH=0.63" IN=0.38"
Spacing Factor is 1 unless specified otherwise

LETTER POSITIONS

Letter spacings are to start of next letter										Series/Size
	2	5	M	P	H					Text Length
	25	11.4	9.7	7	12	9.8	8.1	25		E 2000
										58

FILENAME: SignDesigns NORTH CAROLINA D.O.T. SIGN DETAIL

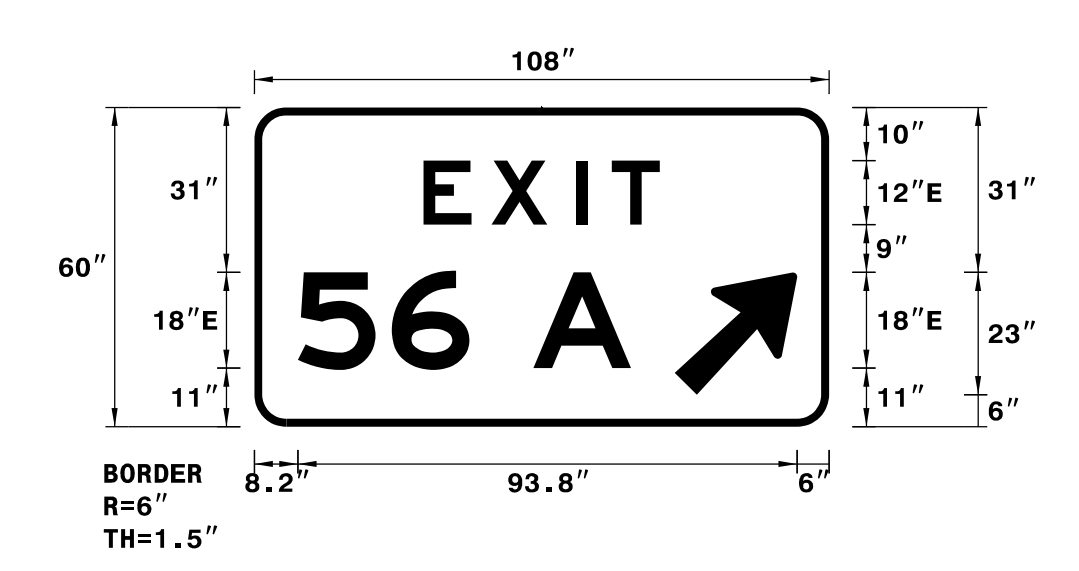
SIGN NUMBER: 206
TYPE: A
QUANTITY: 1
SIGN WIDTH: 9'-0"
HEIGHT: 5'-0"
TOTAL AREA: 45.0 Sq.Ft.
BORDER TYPE: FLUSH
RECESS: 0"
WIDTH: 1.5"
RADII: 6"
NO. Z BARS: 2
LENGTH: 100.0

BACKG COLOR: Green
COPY COLOR: White

SYMBOL	X	Y	WID	HT
AR_Type A	79	6	18.3	29.3

MAT'L: 0.125" (3.2 mm) ALUMINUM

DESIGN BY: R DRAYTON
PROJECT ID: U-2579AB
CHECKED BY: R KING
Dec 16, 2019
DIV: 9



USE NOTES: 1,2
1. Legend and border(except those that are colored black) shall be direct applied Grade C sheeting.
2. Background shall be Grade C reflective sheeting.

BORDER R=6" TH=1.5"
INCREASE "EXIT" SPACING BY 2.25
Spacing Factor is 1 unless specified otherwise

LETTER POSITIONS

Letter spacings are to start of next letter										Series/Size
	E	X	I	T						Text Length
	31.8	12.8	15.8	6.8	9	31.8				E 2000
		5	6		A					44.4
	8.2	17.6	14.6	12	18.4	37.2				E 2000
										62.6

FILENAME: SignDesigns NORTH CAROLINA D.O.T. SIGN DETAIL

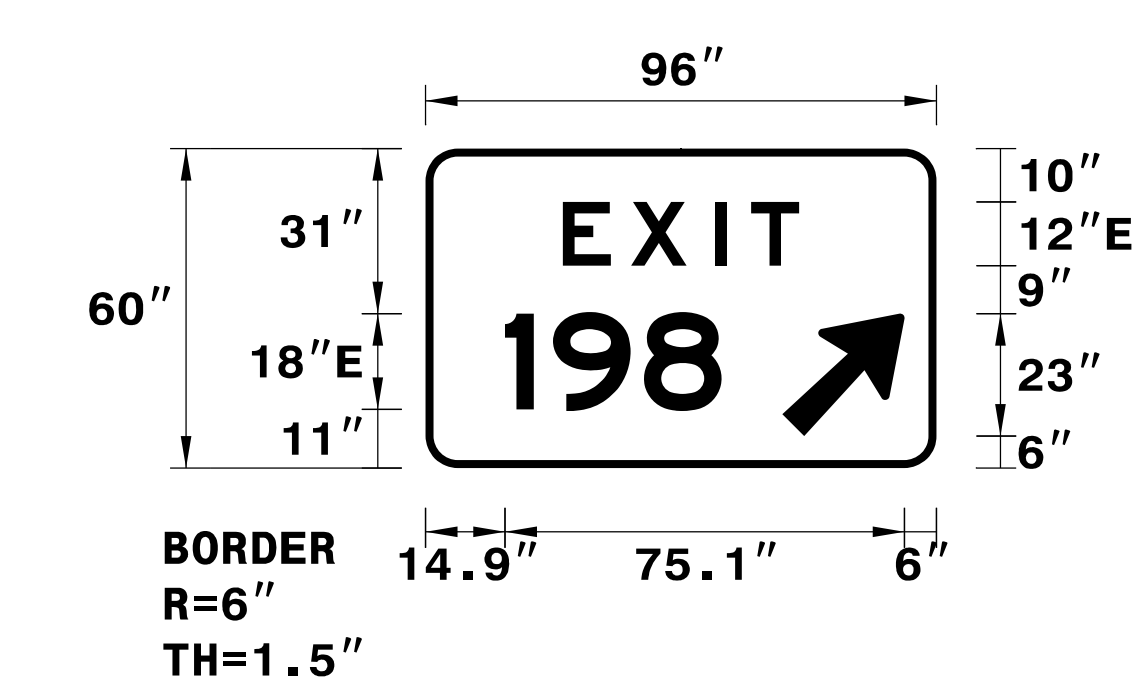
SIGN NUMBER: 207 & 210
TYPE: A
QUANTITY: 2
SIGN WIDTH: 8'-0"
HEIGHT: 5'-0"
TOTAL AREA: 40.0 Sq.Ft.
BORDER TYPE: FLUSH
RECESS: 0"
WIDTH: 1.5"
RADII: 6"
NO. Z BARS: 2
LENGTH: 88.0

BACKG COLOR: Green
COPY COLOR: White

SYMBOL	X	Y	WID	HT
AR_Type A	67	6	18.3	29.3

MAT'L: 0.125" (3.2 mm) ALUMINUM

DESIGN BY: R DRAYTON
PROJECT ID: U-2579AB
CHECKED BY: R KING
Dec 03, 2019
DIV: 9



USE NOTES: 1,2
1. Legend and border(except those that are colored black) shall be direct applied Grade C sheeting.
2. Background shall be Grade C reflective sheeting.

BORDER R=6" TH=1.5"
INCREASE "EXIT" SPACING BY 2.25
Spacing Factor is 1 unless specified otherwise

LETTER POSITIONS

Letter spacings are to start of next letter										Series/Size
	E	X	I	T						Text Length
	25.8	12.8	15.8	6.8	9	25.8				E 2000
		1	9	8						44.4
	14.9	9	17.1	14.6	40.4					E 2000
										40.7

FILENAME: SignDesigns NORTH CAROLINA D.O.T. SIGN DETAIL