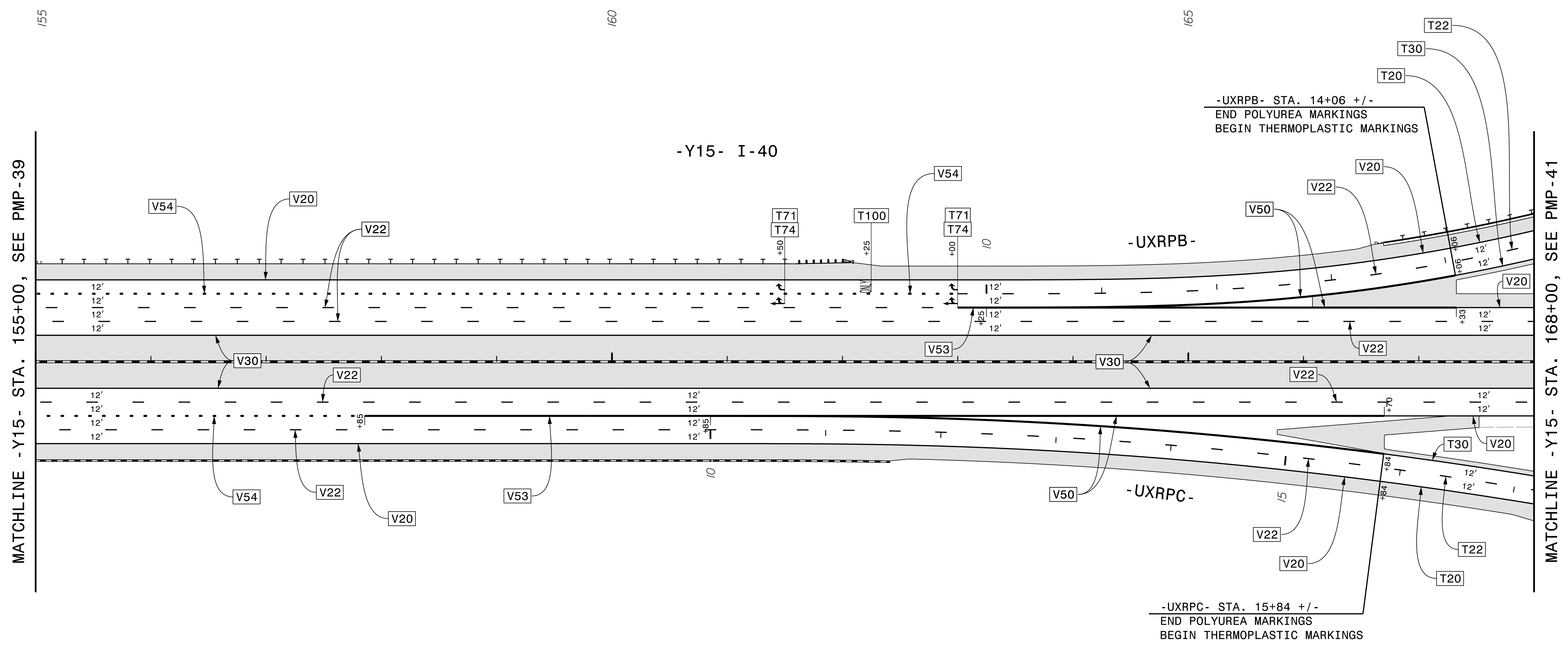


**DOCUMENT NOT CONSIDERED FINAL
UNLESS ALL SIGNATURES COMPLETED**

PLOT DRIVER: NCDOT_pmf_color_eng_50.plt PENTABLE: NCDOT_PMP.tbl
USER: CHARNDEN DATE: 6/2/2021 TIME: 4:30:04 PM
FILE: p:\pwhdr\users\charnd\us-east\01\documents\NCDOT\2015\NCDOT_TMSD.Limited.Services.Contract.M.7000016704\NCDOT_U2579AB_Sign.and.Mark.v6.0.CAD.BIM.v6.2.WIP\Pavement\Marking\U2579AB_PM_PMP40.dgn



PAVEMENT MARKING PLAN