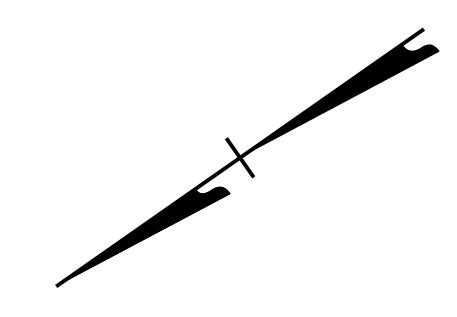


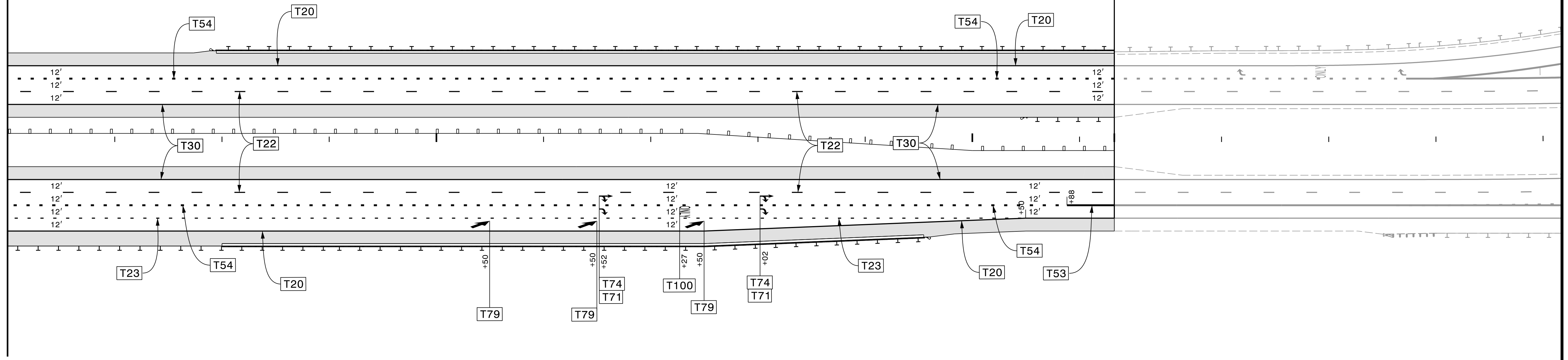
**DOCUMENT NOT CONSIDERED FINAL  
UNLESS ALL SIGNATURES COMPLETED**



MATCHLINE -L- STA. 826+00, SEE PMP-23

-L-  
WINSTON-SALEM NORTHERN BELTWAY

U-2579AB -L- STA. 836+32.44 LB  
U-2579AA -L- STA. 10+00.00 LA  
TIE TO TIP PROJECT U-2579AA



PLOT DRIVER: NCDOT\_color\_eng\_50.plt  
USER: CHARNDEN  
FILE: p:\pwhdr\users\charnd\US\_East\_01\Documents\NCDOT\2015\NCDOT\_TMSD.Limited.Services.Contract.M.7000016704\NCDOT\_U2579AB\_Sign\_and\_Mark\_v6.0\_CAD\_BIM\6.2\_WIP\Pavement\_Mark\U2579AB\_PM\_PMP24.dgn

PENTABLE: NCDOT\_PMP.tbl  
DATE: 6/2/2021  
TIME: 4:23:51 PM

**PAVEMENT MARKING PLAN**